



Recessed

VersaForm

2'x4', 6800 lm
CRI 90 3500K



Project: _____
 Spec Type: _____
 Catalog No: 4124SxxxL9BA _____
 Qty _____
 Line Notes: _____

Specifically designed to blend high performance LED technology with versatile options to suit any area, VersaForm allows you to enjoy the latest LED energy efficiencies in concert with your unique style, and as your needs evolve, it's simple to change or upgrade with our unique detachable light engine.

Ordering guide

Product Type	Version	Configuration	Light Source *	CRI/CCT	Lumens *	Housing	Wiring †	Voltage	Driver
4124		ST	L	9B	A				
VersaForm Surface 2'x4'	D1 Standard T Grid D2 Slot T Grid A1 Air Return on Standard T Grid A2 Air Return on Slot T Grid S1 Discrete Surface Mount	ST Standalone	L LED	8C CRI 80 3000K 8B CRI 80 3500K 8A CRI 80 4000K 9B CRI 90 3500K	D 4000 lm C 5200 lm A 6800 lm	S Standard C Chicago Plenum	7 1 cct Dimming N 1 cct Dimming + EM Batt Pack T 1 cct Step Dimming	1 120V 2 277V 3 347V	E Philips Advance 0-10V (1% dim)

* Nominal values within a range. Consult photometry data for color temp, lumens & distribution of chosen configuration.
 † Not all wiring types are available with all configurations. Consult Philips Ledalite for a complete list of available options.

Upgrades & Accessories

Please indicate with check mark.



VersaForm

2'x4', 6800 lm
CRI 90 3500K

Optical System

The optical frame assembly consists of integrated LED arrays edge lighting a light guide panel in order to deliver uniform controlled light through a lower lens. The optical frame ends are constructed from die-formed cold-rolled steel, assembled together with extruded aluminum profiles in a sturdy frame. The frame is hinged (side marked) to allow easy access to the inside of the fixture. Maintenance can be performed from below the ceiling.

Finish

Housing and frame painted, high quality, powder coated matte white only.

Housing

Die-formed, post painted, 22 gauge cold-rolled steel. Wire entrance with additional knock-out available on top side for electrical connections.

Weight

Maximum 28lbs (2x4); 21lbs (1x4); 15lbs (2x2).

Electrical

Factory pre-wired with driver safety disconnect.

Mounting

Recessed: Fixtures can be fastened directly to the T-bar grid and/or tied-off to the building structure. Optional drywall kit trim mount can be fastened to a wood frame or with hangar wire. Continuous row mounting not available with drywall kit trim mounts.

Surface: Fixtures can be mounted over recessed junction box and side entry also available.

Standard Driver

Philips Advance Xitanium 0-10V, 1-100%, Class 2 rated output. Consult Philips Ledalite for other available drivers.

Standard Battery Pack

Philips Bodine, 90 min, 10W, Class 2 rated output, Emergency lumen output = 10W x luminaire efficacy x 1.1. Typical output: 1100lm.

Lumen Maintenance

LEDs have been tested by the manufacturer in accordance with IESNA LM-80-08. At an ambient temperature of 25°C, the LED lumen maintenance expectation according to IES TM-21-11 is: L90 (9k) >54,000 hrs (**Reported** methodology). L80 (9k) 145,000 hrs (**Projected** methodology).

Source Color

LEDs rated for color rendering CRI >80, R9 >0 and fixture to fixture color accuracy within 2 SDCM.

Controls

Available with the following integrated controls: Response daylight sensor (for single zone).

Wiring

Recessed: Optional flex whips are supplied in 6' lengths. **Surface:** Standard wiring configurations available.

Approvals

Certified to UL, CSA, and IES standards. City of Chicago Approved CCEA (housing option C). Certain versions without battery packs are DesignLights Consortium® qualified. Please see the DLC QPL list for exact catalog numbers (www.designlights.org/QPL).

Warranty

Five-year luminaire limited warranty including LED boards and driver.

USA: <http://www.usa.lighting.philips.com/support/support/warranty>

Canada: <http://www.lighting.philips.ca/support/support/warranty>

Environment

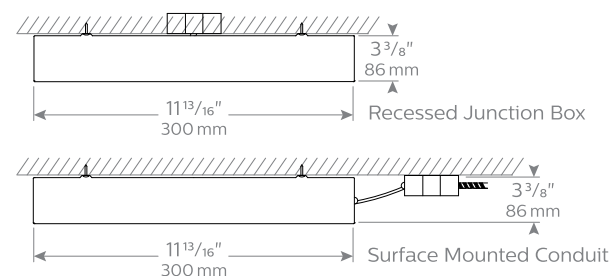
Rated for dry & damp locations in operating ambient temperatures of 0-25°C (32-77°F). Many luminaire components, such as reflectors, refractors, lenses, and LEDs are made from various types of plastics which can be adversely affected by airborne contaminants. If sulfur based chemicals, petroleum based products, cleaning solutions, or other contaminants are expected in the intended area of use, consult factory for compatibility. Damage caused by sulfur, chlorine, petroleum based solution or other contaminants are not covered under warranty.

Due to continuing product improvements, Philips Ledalite reserves the right to change the specifications without notice.

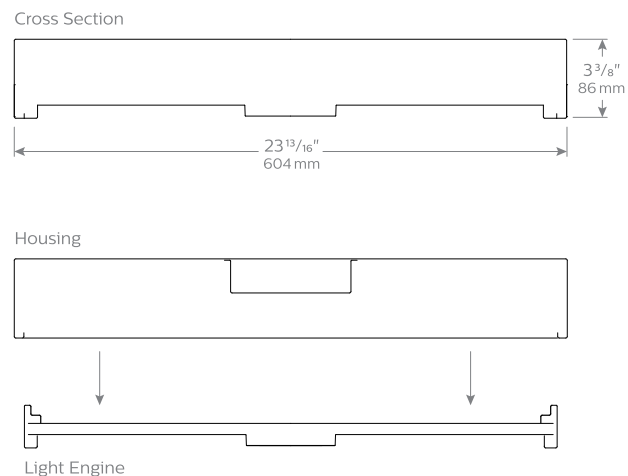
Options and Details

Mounting

S1 Surface Mount (Standard Mounting)



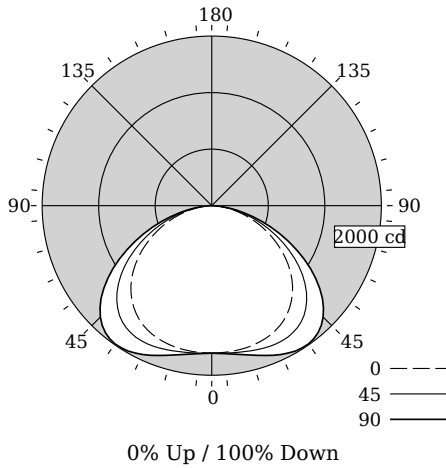
Cross Section



VersaForm

2'x4', 6800 lm
CRI 90 3500K

Photometry - 3500K



Candela Distribution

Vertical Angle	Horizontal Angle					Zonal Lumens
	0	22.5	45	67.5	90	
0	1739	1739	1739	1739	1739	0
5	1736	1743	1746	1749	1752	167
15	1721	1739	1773	1807	1825	503
25	1670	1709	1798	1892	1937	832
35	1553	1615	1758	1918	1990	1104
45	1348	1415	1583	1771	1858	1225
55	1053	1112	1258	1422	1497	1129
65	713	747	842	949	1000	841
75	375	388	432	484	503	464
85	95	96	101	110	112	121
90	0	0	0	0	0	0
95	0	0	0	0	0	0
105	0	0	0	0	0	0
115	0	0	0	0	0	0
125	0	0	0	0	0	0
135	0	0	0	0	0	0
145	0	0	0	0	0	0
155	0	0	0	0	0	0
165	0	0	0	0	0	0
175	0	0	0	0	0	0
180	0	0	0	0	0	0

Fixture photometry has been conducted in accordance with IESNA LM-79-08

IES files for this and other photometric options can be downloaded online at www.lightingproducts.philips.com

Coefficients of Utilization (%)

RCR	Ceiling										0		
	70	50	30	10	70	50	30	10	70	50		30	10
0	119	119	119	119	116	116	116	111	111	111	111	100	100
1	108	103	99	95	106	101	97	97	94	91	83	83	83
2	98	90	83	77	95	88	81	84	79	74	68	68	68
3	89	78	70	63	87	77	69	74	67	61	57	57	57
4	81	69	60	53	79	67	59	65	57	52	48	48	48
5	74	61	52	45	72	60	51	58	50	44	41	41	41
6	68	55	45	39	66	54	45	52	44	38	35	35	35
7	63	49	40	34	61	48	40	47	39	34	31	31	31
8	59	45	36	30	57	44	36	43	35	30	27	27	27
9	55	41	32	27	53	40	32	39	32	27	24	24	24
10	51	38	29	24	50	37	29	36	29	24	22	22	22

Avg. Luminance (cd/m2)

Vertical Angle	Horizontal Angle		
	0	45	90
55	2840	3392	4034
65	2608	3081	3658
75	2242	2581	3005
85	1679	1790	1986

Distribution Summary

Hemisphere	0% Up / 100% Down
Spacing Along (0 °)	1.38
Spacing Across (90 °)	1.69

Philips Ledalite

Lighting facts
A Program of the U.S. DOE

Light Output (Lumens) **6387**

Watts **73.5**

Lumens per Watt (Efficacy) **86**

Color Accuracy **92**

Color Rendering Index (CRI)

Light Color **3340 (Bright White)**

Correlated Color Temperature (CCT)

Warm White Bright White Daylight

2700K 3000K 4500K 6500K

Warranty** **Yes**

All results, except LED Lumen Maintenance, are according to IESNA LM-79-2008: Approved Method for the Electrical and Photometric Testing of Solid-State Lighting. The U.S. Department of Energy (DOE) verifies product test data and results.

**** See www.lightingfacts.com/products for details.**

Registration Number: F46Z-7KUZ45 (7/11/2014)
Model Number: 4x24xxxL9BA
Type: Luminaire - Troffer/Grid Ceiling

VersaForm

2'x4', 6800 lm
CRI 90 3500K

Optical Performance

Flux (lm)	6387
Efficacy (lm/W)	86.9
Power (W)	73.5
CCT (K)	3340
CRI	92
R9	77
x	0.4158
y	0.3980
Duv	0.0010

Electrical Performance - 3500K

Input Voltage	120V	277V	347V
Input Power	73.5W	71.3W	68.9W
Input Current	0.62A	0.26A	0.20A
Power Factor	0.996	0.976	0.970
Total Harm. Distortion	9.6%	14.3%	9.0%

Tested values . contact technical support for rated values. Off-state power zero unless certain controls are specified.

