



Recessed

VersaForm

2'x4', 5200 lm
3000/3500/4000K



Project: _____
 Spec Type: _____
 Catalog No: 4124SxxxL8xC _____
 Qty _____
 Line Notes: _____

Specifically designed to blend high performance LED technology with versatile options to suit any area, VersaForm allows you to enjoy the latest LED energy efficiencies in concert with your unique style, and as your needs evolve, it's simple to change or upgrade with our unique detachable light engine.

Ordering guide

Product Type	Version	Configuration	Light Source *	CRI/CCT	Lumens *	Housing	Wiring †	Voltage	Driver
4124		ST	L	8x	C				
VersaForm Surface 2'x4'	D1 Standard T Grid D2 Slot T Grid A1 Air Return on Standard T Grid A2 Air Return on Slot T Grid S1 Discrete Surface Mount	ST Standalone	L LED	8C CRI 80 3000K 8B CRI 80 3500K 8A CRI 80 4000K 9B CRI 90 3500K	D 4000 lm C 5200 lm A 6800 lm	S Standard C Chicago Plenum	7 1 cct Dimming N 1 cct Dimming + EM Batt Pack T 1 cct Step Dimming	1 120V 2 277V 3 347V	E Philips Advance 0-10V (1% dim)

* Nominal values within a range. Consult photometry data for color temp, lumens & distribution of chosen configuration.
 † Not all wiring types are available with all configurations. Consult Philips Ledalite for a complete list of available options.

Upgrades & Accessories

Please indicate with check mark.



VersaForm

2'x4', 5200 lm

3000/3500/4000K

Optical System

The optical frame assembly consists of integrated LED arrays edge lighting a light guide panel in order to deliver uniform controlled light through a lower lens. The optical frame ends are constructed from die-formed cold-rolled steel, assembled together with extruded aluminum profiles in a sturdy frame. The frame is hinged (side marked) to allow easy access to the inside of the fixture. Maintenance can be performed from below the ceiling.

Finish

Housing and frame painted, high quality, powder coated matte white only.

Housing

Die-formed, post painted, 22 gauge cold-rolled steel. Wire entrance with additional knock-out available on top side for electrical connections.

Weight

Maximum 28lbs (2x4); 21lbs (1x4); 15lbs (2x2).

Electrical

Factory pre-wired with driver safety disconnect.

Mounting

Recessed: Fixtures can be fastened directly to the T-bar grid and/or tied-off to the building structure. Optional drywall kit trim mount can be fastened to a wood frame or with hangar wire. Continuous row mounting not available with drywall kit trim mounts.

Surface: Fixtures can be mounted over recessed junction box and side entry also available.

Standard Driver

Philips Advance Xitanium 0-10V, 1-100%, Class 2 rated output. Consult Philips Ledalite for other available drivers.

Standard Battery Pack

Philips Bodine, 90 min, 10W, Class 2 rated output, Emergency lumen output = 10W x luminaire efficacy x 1.1. Typical output: 1100lm.

Lumen Maintenance

LEDs have been tested by the manufacturer in accordance with IESNA LM-80-08. At an ambient temperature of 25°C, the LED lumen maintenance expectation according to IES TM-21-11 is: L90 (9k) >54,000 hrs (**Reported** methodology). L80 (9k) 145,000 hrs (**Projected** methodology).

Source Color

LEDs rated for color rendering CRI >80, R9 >0 and fixture to fixture color accuracy within 2 SDCM.

Controls

Available with the following integrated controls: Response daylight sensor (for single zone).

Wiring

Recessed: Optional flex whips are supplied in 6' lengths. **Surface:** Standard wiring configurations available.

Approvals

Certified to UL, CSA, and IES standards. City of Chicago Approved CCEA (housing option C). Certain versions without battery packs are DesignLights Consortium® qualified. Please see the DLC QPL list for exact catalog numbers (www.designlights.org/QPL).

Warranty

Five-year luminaire limited warranty including LED boards and driver.

USA: <http://www.usa.lighting.philips.com/support/support/warranty>

Canada: <http://www.lighting.philips.ca/support/support/warranty>

Environment

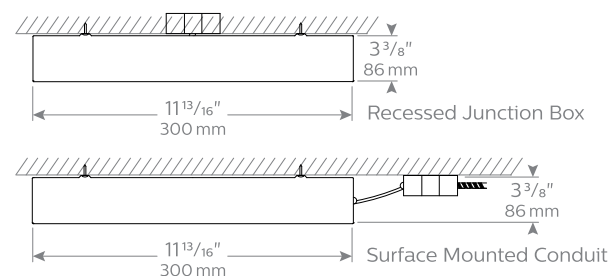
Rated for dry & damp locations in operating ambient temperatures of 0-25°C (32-77°F). Many luminaire components, such as reflectors, refractors, lenses, and LEDs are made from various types of plastics which can be adversely affected by airborne contaminants. If sulfur based chemicals, petroleum based products, cleaning solutions, or other contaminants are expected in the intended area of use, consult factory for compatibility. Damage caused by sulfur, chlorine, petroleum based solution or other contaminants are not covered under warranty.

Due to continuing product improvements, Philips Ledalite reserves the right to change the specifications without notice.

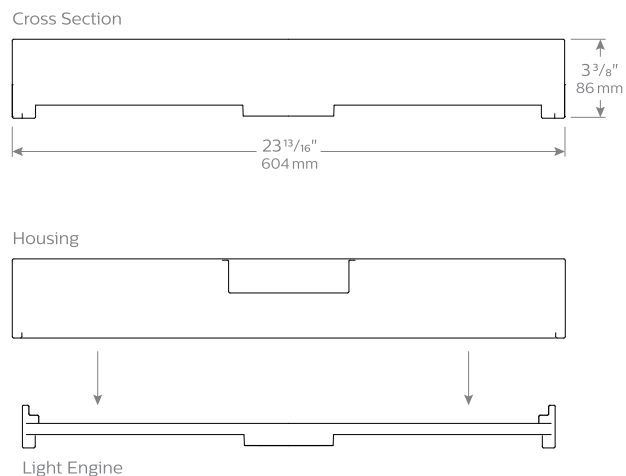
Options and Details

Mounting

S1 Surface Mount (Standard Mounting)



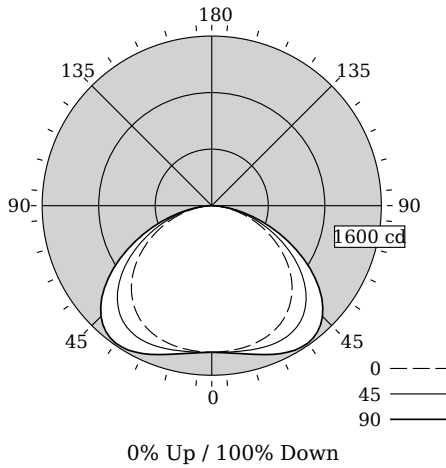
Cross Section



VersaForm

2'x4', 5200 lm
3000/3500/4000K

Photometry - 3500K



Candela Distribution

Vertical Angle	Horizontal Angle					Zonal Lumens
	0	22.5	45	67.5	90	
0	1383	1383	1383	1383	1383	0
5	1381	1386	1388	1391	1393	133
15	1368	1383	1410	1437	1451	400
25	1328	1359	1430	1505	1540	662
35	1235	1284	1398	1525	1583	878
45	1072	1125	1259	1408	1477	974
55	838	884	1001	1131	1190	898
65	567	594	670	755	795	669
75	298	308	344	385	400	369
85	75	76	80	88	89	96
90	0	0	0	0	0	0
95	0	0	0	0	0	0
105	0	0	0	0	0	0
115	0	0	0	0	0	0
125	0	0	0	0	0	0
135	0	0	0	0	0	0
145	0	0	0	0	0	0
155	0	0	0	0	0	0
165	0	0	0	0	0	0
175	0	0	0	0	0	0
180	0	0	0	0	0	0

Fixture photometry has been conducted in accordance with IESNA LM-79-08

IES files for this and other photometric options can be downloaded online at www.lightingproducts.philips.com

Coefficients of Utilization (%)

RCR	Ceiling										0		
	70	50	30	10	70	50	30	10	70	50		30	10
0	119	119	119	119	116	116	116	111	111	111	111	100	100
1	108	103	99	95	106	101	97	97	94	91	83	83	83
2	98	90	83	77	95	88	81	84	79	74	68	68	68
3	89	78	70	63	87	77	69	74	67	61	57	57	57
4	81	69	60	53	79	67	59	65	57	52	48	48	48
5	74	61	52	45	72	60	51	58	50	44	41	41	41
6	68	55	45	39	66	54	45	52	44	38	35	35	35
7	63	49	40	34	61	48	40	47	39	34	31	31	31
8	59	45	36	30	57	44	36	43	35	30	27	27	27
9	55	41	32	27	53	40	32	39	32	27	24	24	24
10	51	38	29	24	50	37	29	36	29	24	22	22	22

Avg. Luminance (cd/m2)

Vertical Angle	Horizontal Angle		
	0	45	90
55	2258	2697	3208
65	2074	2450	2909
75	1783	2053	2390
85	1335	1424	1579

Distribution Summary

Hemisphere	0° Up / 100% Down
Spacing Along (0°)	1.38
Spacing Across (90°)	1.69

Philips Ledalite

LED lighting facts
A Program of the U.S. DOE

Light Output (Lumens) **5080**

Watts **45.9**

Lumens per Watt (Efficacy) **110**

Color Accuracy **82**

Color Rendering Index (CRI)

Light Color **3325 (Bright White)**

Correlated Color Temperature (CCT)

2700K 3000K 4500K 6500K

Warranty** **Yes**

All results, except LED Lumen Maintenance, are according to IESNA LM-79-2008: Approved Method for the Electrical and Photometric Testing of Solid-State Lighting. The U.S. Department of Energy (DOE) verifies product test data and results.

** See www.lightingfacts.com/products for details.

Registration Number: F46Z-8ZOCEE (7/11/2014)
Model Number: 4x24xxxL8BC
Type: Luminaire - Troffer/Grd Ceiling

VersaForm

2'x4', 5200 lm
3000/3500/4000K

Optical Performance

Flux (lm)	5212	5079	4925
Efficacy (lm/W)	112.8	110.7	107.3
Power (W)	46.2	45.9	45.9
CCT (K)	3889	3325	2990
CRI	82	82	81
R9	11	6	4
x	0.3872	0.4177	0.4400
y	0.3857	0.4009	0.4092
Duv	0.0020	0.0020	0.0020

Electrical Performance - 3500K

Input Voltage	120V	277V	347V
Input Power	45.9W	45.3W	43.8W
Input Current	0.39A	0.18A	0.13A
Power Factor	0.988	0.929	0.977
Total Harm. Distortion	13.1%	18.0%	8.0%

Tested values . contact technical support for rated values. Off-state power zero unless certain controls are specified.

