

# Unlock your vision

## VERSAFORM SURFACE 2'x4' LED



DIRECT, BEAM SHAPING LIGHT GUIDE WITH STEPPED  
DIFFUSER  
2'x4', 6800 lm 4000K

**Project:**

**Spec Type:**

**Catalog No:** 4124SxxxL8AA

**Qty**

**Line Notes:**



### Ordering guide

Product Type	Version	Configuration	Light Source *	CRI/CCT	Lumens *	Housing	Wiring †	Voltage	Driver
4124		ST	L	8A	A				
VersaForm Surface 2'x4' LED	<b>D1</b> Standard T Grid <b>D2</b> Slot T Grid <b>A1</b> Air Return on Standard T Grid <b>A2</b> Air Return on Slot T Grid <b>S1</b> Discrete Surface Mount	<b>ST</b> Standalone	<b>L</b> LED	<b>8C</b> CRI 80 3000K <b>8B</b> CRI 80 3500K <b>8A</b> CRI 80 4000K <b>9B</b> CRI 90 3500K	<b>D</b> 4000 lm <b>C</b> 5200 lm <b>A</b> 6800 lm	<b>S</b> Standard <b>C</b> Chicago Plenum	<b>1</b> 1 cct <b>5</b> 1 cct + EM Batt. Pack <b>7</b> 1 cct Dimming <b>N</b> 1 cct Dimming + EM Batt. Pack <b>T</b> 1 cct Step Dimming	<b>1</b> 120V <b>2</b> 277V <b>3</b> 347V	<b>E</b> Philips Advance

\* Nominal values within a range. Consult photometry data for exact color temp, lumens & distribution.

† Not all wiring types are available with all configurations. Consult Philips Ledalite for a complete list of available options.

**Integrated Controls** Please indicate with check mark.

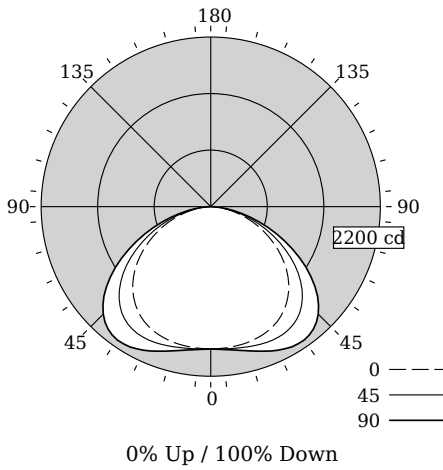
No Options Available



# VERSAFORM SURFACE 2'X4' LED

DIRECT, BEAM SHAPING LIGHT GUIDE WITH STEPPED DIFFUSER

## Photometry



<b>Total Output</b>	<b>6780 lm</b>
<b>Efficacy</b>	<b>109.4 lm/W</b>
<b>CCT</b>	<b>3889K</b>
<b>CRI</b>	<b>82</b>
<b>Distribution</b>	<b>0% Up / 100% Down</b>
<b>Spacing Criteria (0/90°)</b>	<b>1.38/1.69</b>

Fixture photometry has been conducted in accordance with IESNA LM-79-08

IES files for this and other photometric options can be downloaded online at [www.lightingproducts.philips.com](http://www.lightingproducts.philips.com)

## Candela Distribution

Vertical Angle	Horizontal Angle				Zonal Lumens	
	0	22.5	45	67.5		90
0	1846	1846	1846	1846	1846	0
5	1843	1850	1853	1856	1860	177
15	1826	1846	1882	1918	1937	534
25	1773	1815	1908	2009	2056	883
35	1649	1714	1867	2036	2113	1172
45	1431	1502	1681	1880	1972	1301
55	1118	1180	1336	1510	1589	1199
65	757	793	894	1008	1061	893
75	398	412	459	514	534	493
85	100	102	107	117	119	129
90	0	0	0	0	0	0
95	0	0	0	0	0	0
105	0	0	0	0	0	0
115	0	0	0	0	0	0
125	0	0	0	0	0	0
135	0	0	0	0	0	0
145	0	0	0	0	0	0
155	0	0	0	0	0	0
165	0	0	0	0	0	0
175	0	0	0	0	0	0
180	0	0	0	0	0	0

## Coefficients of Utilization (%)

RCR	Ceiling Wall	80				70				50				0				
		70	50	30	10	70	50	30	10	70	50	30	10	70	50	30	10	
0		119	119	119	119	116	116	116	111	111	111	111	111	111	111	111	111	100
1		108	103	99	95	106	101	97	97	97	94	91	83	83	83	83	83	83
2		98	90	83	77	95	88	81	84	79	74	68	68	68	68	68	68	68
3		89	78	70	63	87	77	69	74	67	61	57	57	57	57	57	57	57
4		81	69	60	53	79	67	59	65	57	52	48	48	48	48	48	48	48
5		74	61	52	45	72	60	51	58	50	44	41	41	41	41	41	41	41
6		68	55	45	39	66	54	45	52	44	38	35	35	35	35	35	35	35
7		63	49	40	34	61	48	40	47	39	34	31	31	31	31	31	31	31
8		59	45	36	30	57	44	36	43	35	30	27	27	27	27	27	27	27
9		55	41	32	27	53	40	32	39	32	27	24	24	24	24	24	24	24
10		51	38	29	24	50	37	29	36	29	24	22	22	22	22	22	22	22

## Avg. Luminance (cd/m<sup>2</sup>)

Vertical Angle	Horizontal Angle		
	0	45	90
55	3014	3601	4282
65	2768	3270	3883
75	2380	2740	3190
85	1782	1901	2108

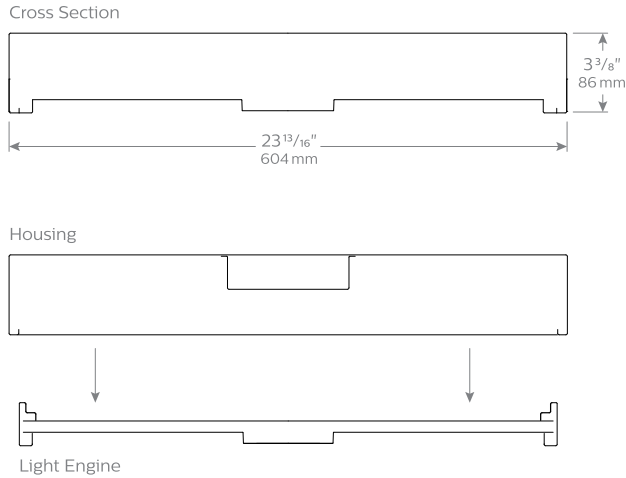
## Electrical Specifications

<b>Input Voltage</b>	<b>120V</b>	<b>277V</b>
<b>Input Power</b>	<b>62.0W</b>	<b>60.6W</b>
<b>Input Current</b>	<b>0.52A</b>	<b>0.23A</b>
<b>Power Factor</b>	<b>0.994</b>	<b>0.966</b>
<b>Total Harm. Distortion</b>	<b>10.7%</b>	<b>15.6%</b>
Tested values – contact technical support for rated values. Off-state power zero unless certain controls are specified.		

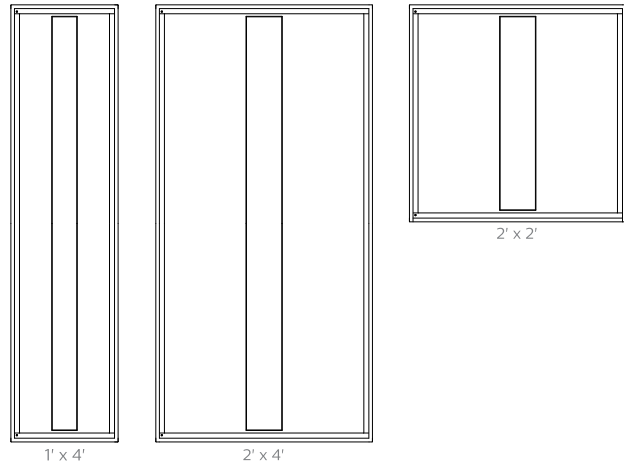
# VERSAFORM SURFACE 2'X4' LED

## DIRECT, BEAM SHAPING LIGHT GUIDE WITH STEPPED DIFFUSER

### Options and Details

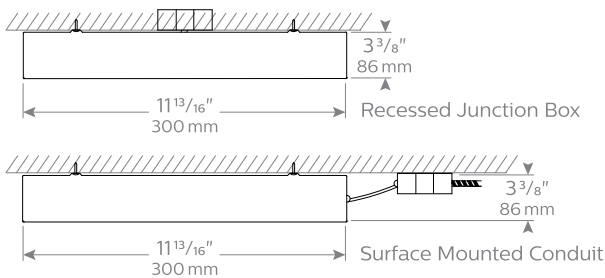


Lens View



### Mounting

#### S1 Surface Mount (Standard Mounting)



### Housing

Die-formed, post painted, 22 gauge cold-rolled steel. Wire entrance with additional knock-out available on top side for electrical connections.

### Weight

Maximum: 2x2 = 24lb, 1x4 = 28lb, 2x4 = 38lb

### Optical System

The optical frame assembly consists of integrated LED arrays edgelighting a light guide panel in order to deliver uniform controlled light through a lower lens. The optical frame ends are constructed from die-formed cold-rolled steel, assembled together with extruded aluminum profiles in a sturdy frame. The frame is hinged (side marked) to allow easy access to the inside of the fixture. Maintenance can be performed from below the ceiling.

### Standard Driver

0-10V Dimming – 5-100%. Output is class 2 rated, contact factory for other options.

### Lumen Maintenance

At an ambient temperature of 25°C, the LED lumen maintenance expectation is  $L_{70}(9k) > 54$  kh. Reported according to IES TM-21 Addendum A methodology (9k LM-80 test duration)

### Mounting

**Recessed:** Fixtures can be fastened directly to the T-bar grid and/or tied-off to the building structure.  
**Surface:** Fixtures can be mounted over recessed junction box and side entry also available.

### Electrical

Factory pre-wired with driver safety disconnect.

### Wiring

**Recessed:** Optional flex whips are supplied in 6' lengths.  
**Surface:** Standard wiring configurations available.

### Approvals

Certified to UL, CSA, DLC & IES Standards. City of Chicago Approved CCEA (housing option C).

### Finish

Housing and Frame painted, high quality, powder coated matte white only.

### Environment

Rated for dry & damp locations in operating in ambient temperatures of 25°C. Certain luminaire components may be adversely affected by contaminants. Damage caused by sulfur, chlorine, petroleum based solutions or other contaminants are not covered under warranty.

Due to continuing product improvements, Philips Ledalite reserves the right to change the specifications without notice.



© 2014 Koninklijke Philips N.V. All rights reserved. Specifications are subject to change without notice. [www.philips.com/luminaires](http://www.philips.com/luminaires)

VrsFrmSurf2x4\_8-40K68lm 03.17 page 3 of 3

Philips Lighting  
North America Corporation  
200 Franklin Square Drive  
Somerset, NJ 08873  
Phone: 855-486-2216

Philips Lighting Company  
281 Hillmount Road  
Markham ON, Canada L6C  
2S3  
Phone: 800-668-900