

# Unlock your vision

## VERSAFORM SURFACE 2'X4' LED



DIRECT, BEAM SHAPING LIGHT GUIDE WITH STEPPED  
DIFFUSER  
2'x4', 4000 lm 4000K

**Project:**

**Spec Type:**

**Catalog No:** 4124SxxxL8AD

**Qty**

**Line Notes:**



### Ordering guide

Product Type	Version	Configuration	Light Source *	CRI/CCT	Lumens *	Housing	Wiring †	Voltage	Driver
4124		ST	L	8A	D				
VersaForm Surface 2'x4' LED	<b>D1</b> Standard T Grid <b>D2</b> Slot T Grid <b>A1</b> Air Return on Standard T Grid <b>A2</b> Air Return on Slot T Grid <b>S1</b> Discrete Surface Mount	<b>ST</b> Standalone	<b>L</b> LED	<b>8C</b> CRI 80 3000K <b>8B</b> CRI 80 3500K <b>8A</b> CRI 80 4000K <b>9B</b> CRI 90 3500K	<b>D</b> 4000 lm <b>C</b> 5200 lm <b>A</b> 6800 lm	<b>S</b> Standard <b>C</b> Chicago Plenum	<b>1</b> 1 cct <b>5</b> 1 cct + EM Batt. Pack <b>7</b> 1 cct Dimming <b>N</b> 1 cct Dimming + EM Batt. Pack <b>T</b> 1 cct Step Dimming	<b>1</b> 120V <b>2</b> 277V <b>3</b> 347V	<b>E</b> Philips Advance

\* Nominal values within a range. Consult photometry data for exact color temp, lumens & distribution.

† Not all wiring types are available with all configurations. Consult Philips Ledalite for a complete list of available options.

**Integrated Controls** Please indicate with check mark.

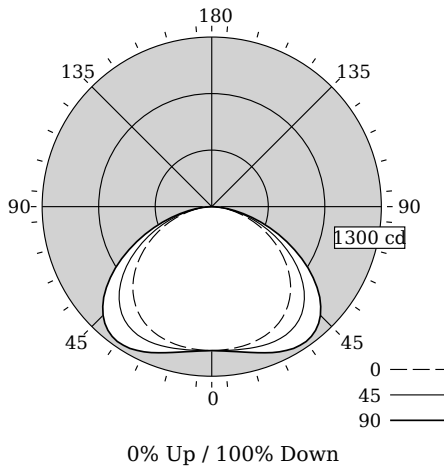
No Options Available



# VERSAFORM SURFACE 2'X4' LED

DIRECT, BEAM SHAPING LIGHT GUIDE WITH STEPPED DIFFUSER

## Photometry



Total Output	4050 lm
Efficacy	115.4 lm/W
CCT	3889K
CRI	82
Distribution	0% Up / 100% Down
Spacing Criteria (0/90°)	1.38/1.69

Fixture photometry has been conducted in accordance with IESNA LM-79-08

IES files for this and other photometric options can be downloaded online at [www.lightingproducts.philips.com](http://www.lightingproducts.philips.com)

## Candela Distribution

Vertical Angle	Horizontal Angle					Zonal Lumens
	0	22.5	45	67.5	90	
0	1103	1103	1103	1103	1103	0
5	1101	1105	1107	1109	1111	106
15	1091	1103	1124	1146	1157	319
25	1059	1084	1140	1200	1228	528
35	985	1024	1115	1216	1262	700
45	855	897	1004	1123	1178	777
55	668	705	798	902	949	716
65	452	474	534	602	634	533
75	238	246	274	307	319	294
85	60	61	64	70	71	77
90	0	0	0	0	0	0
95	0	0	0	0	0	0
105	0	0	0	0	0	0
115	0	0	0	0	0	0
125	0	0	0	0	0	0
135	0	0	0	0	0	0
145	0	0	0	0	0	0
155	0	0	0	0	0	0
165	0	0	0	0	0	0
175	0	0	0	0	0	0
180	0	0	0	0	0	0

## Coefficients of Utilization (%)

RCR	Ceiling: Wall:	80					70					50					0					
		70	50	30	10	70	50	30	10	70	50	30	10	70	50	30	10	70	50	30	10	
0		119	119	119	119	116	116	116	111	111	111	111	111	111	111	111	111	111	111	111	111	100
1		108	103	99	95	106	101	97	97	94	91	83	83	83	83	83	83	83	83	83	83	83
2		98	90	83	77	95	88	81	84	79	74	68	68	68	68	68	68	68	68	68	68	68
3		89	78	70	63	87	77	69	74	67	61	57	57	57	57	57	57	57	57	57	57	57
4		81	69	60	53	79	67	59	65	57	52	48	48	48	48	48	48	48	48	48	48	48
5		74	61	52	45	72	60	51	58	50	44	41	41	41	41	41	41	41	41	41	41	41
6		68	55	45	39	66	54	45	52	44	38	35	35	35	35	35	35	35	35	35	35	35
7		63	49	40	34	61	48	40	47	39	34	31	31	31	31	31	31	31	31	31	31	31
8		59	45	36	30	57	44	36	43	35	30	27	27	27	27	27	27	27	27	27	27	27
9		55	41	32	27	53	40	32	39	32	27	24	24	24	24	24	24	24	24	24	24	24
10		51	38	29	24	50	37	29	36	29	24	22	22	22	22	22	22	22	22	22	22	22

## Avg. Luminance (cd/m<sup>2</sup>)

Vertical Angle	Horizontal Angle		
	0	45	90
55	1801	2151	2558
65	1654	1954	2319
75	1422	1637	1906
85	1064	1135	1260

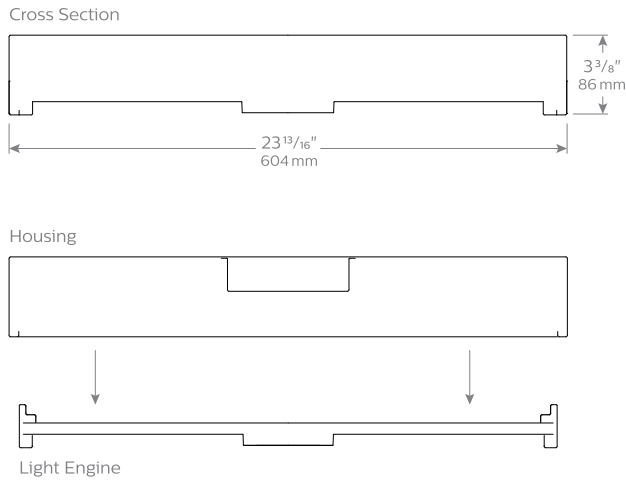
## Electrical Specifications

Input Voltage	120V	277V
Input Power	35.1W	35.0W
Input Current	0.30A	0.14A
Power Factor	0.986	0.897
Total Harm. Distortion	14.7%	18.5%
Tested values – contact technical support for rated values. Off-state power zero unless certain controls are specified.		

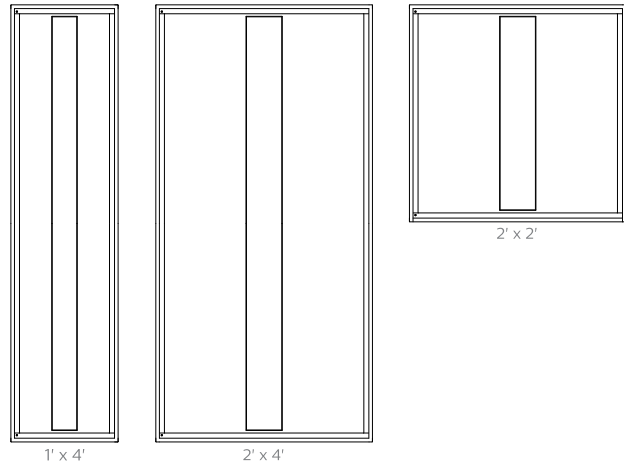
# VERSAFORM SURFACE 2'X4' LED

## DIRECT, BEAM SHAPING LIGHT GUIDE WITH STEPPED DIFFUSER

### Options and Details

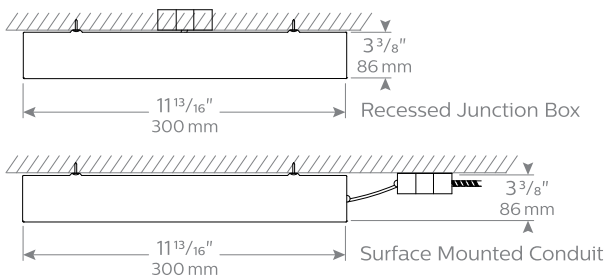


Lens View



### Mounting

#### S1 Surface Mount (Standard Mounting)



### Housing

Die-formed, post painted, 22 gauge cold-rolled steel. Wire entrance with additional knock-out available on top side for electrical connections.

### Weight

Maximum: 2x2 = 24lb, 1x4 = 28lb, 2x4 = 38lb

### Optical System

The optical frame assembly consists of integrated LED arrays edgelighting a light guide panel in order to deliver uniform controlled light through a lower lens. The optical frame ends are constructed from die-formed cold-rolled steel, assembled together with extruded aluminum profiles in a sturdy frame. The frame is hinged (side marked) to allow easy access to the inside of the fixture. Maintenance can be performed from below the ceiling.

### Standard Driver

0-10V Dimming – 5-100%. Output is class 2 rated, contact factory for other options.

### Lumen Maintenance

At an ambient temperature of 25°C, the LED lumen maintenance expectation is  $L_{70}(9k) > 54$  kh. Reported according to IES TM-21 Addendum A methodology (9k LM-80 test duration)

### Mounting

**Recessed:** Fixtures can be fastened directly to the T-bar grid and/or tied-off to the building structure.  
**Surface:** Fixtures can be mounted over recessed junction box and side entry also available.

### Electrical

Factory pre-wired with driver safety disconnect.

### Wiring

**Recessed:** Optional flex whips are supplied in 6' lengths.  
**Surface:** Standard wiring configurations available.

### Approvals

Certified to UL, CSA, DLC & IES Standards. City of Chicago Approved CCEA (housing option C).

### Finish

Housing and Frame painted, high quality, powder coated matte white only.

### Environment

Rated for dry & damp locations in operating in ambient temperatures of 25°C. Certain luminaire components may be adversely affected by contaminants. Damage caused by sulfur, chlorine, petroleum based solutions or other contaminants are not covered under warranty.

Due to continuing product improvements, Philips Ledalite reserves the right to change the specifications without notice.



© 2014 Koninklijke Philips N.V. All rights reserved. Specifications are subject to change without notice. [www.philips.com/luminaires](http://www.philips.com/luminaires)

VrsFrmSurf2x4\_8-40K40lm 03.17 page 3 of 3

Philips Lighting  
North America Corporation  
200 Franklin Square Drive  
Somerset, NJ 08873  
Phone: 855-486-2216

Philips Lighting Company  
281 Hillmount Road  
Markham ON, Canada L6C  
2S3  
Phone: 800-668-900