



# Recessed

## VersaForm

2'x2', 3000 lm  
CRI 90 3500K



Project: \_\_\_\_\_  
Spec Type: \_\_\_\_\_  
Catalog No: 4122SxxxL9BE \_\_\_\_\_  
Qty \_\_\_\_\_  
Line Notes: \_\_\_\_\_

Specifically designed to blend high performance LED technology with versatile options to suit any area, VersaForm allows you to enjoy the latest LED energy efficiencies in concert with your unique style, and as your needs evolve, it's simple to change or upgrade with our unique detachable light engine.

### Ordering guide

Product Type	Version	Configuration	Light Source *	CRI/CCT	Lumens *	Housing	Wiring †	Voltage	Driver
4122		ST	L	9B	E				
VersaForm Surface 2'x2'	D1 Standard T Grid D2 Slot T Grid A1 Air Return on Standard T Grid A2 Air Return on Slot T Grid S1 Discrete Surface Mount	ST Standalone	L LED	8C CRI 80 3000K 8B CRI 80 3500K 8A CRI 80 4000K 9B CRI 90 3500K	E 3000 lm D 4000 lm	S Standard C Chicago Plenum	7 1 cct Dimming N 1 cct Dimming + EM Batt Pack T 1 cct Step Dimming	1 120V 2 277V 3 347V	E Philips Advance 0-10V (1% dim)

\* Nominal values within a range. Consult photometry data for color temp, lumens & distribution of chosen configuration.  
† Not all wiring types are available with all configurations. Consult Philips Ledalite for a complete list of available options.

### Upgrades & Accessories Please indicate with check mark.



# VersaForm

2'x2', 3000 lm  
CRI 90 3500K

## Optical System

The optical frame assembly consists of integrated LED arrays edge lighting a light guide panel in order to deliver uniform controlled light through a lower lens. The optical frame ends are constructed from die-formed cold-rolled steel, assembled together with extruded aluminum profiles in a sturdy frame. The frame is hinged (side marked) to allow easy access to the inside of the fixture. Maintenance can be performed from below the ceiling.

## Finish

Housing and frame painted, high quality, powder coated matte white only.

## Housing

Die-formed, post painted, 22 gauge cold-rolled steel. Wire entrance with additional knock-out available on top side for electrical connections.

## Weight

Maximum 28lbs (2x4); 21lbs (1x4); 15lbs (2x2).

## Electrical

Factory pre-wired with driver safety disconnect.

## Mounting

**Recessed:** Fixtures can be fastened directly to the T-bar grid and/or tied-off to the building structure. Optional drywall kit trim mount can be fastened to a wood frame or with hangar wire. Continuous row mounting not available with drywall kit trim mounts.

**Surface:** Fixtures can be mounted over recessed junction box and side entry also available.

## Standard Driver

Philips Advance Xitanium 0-10V, 1-100%, Class 2 rated output. Consult Philips Ledalite for other available drivers.

## Standard Battery Pack

Philips Bodine, 90 min, 10W, Class 2 rated output, Emergency lumen output = 10W x luminaire efficacy x 1.1. Typical output: 1100lm.

## Lumen Maintenance

LEDs have been tested by the manufacturer in accordance with IESNA LM-80-08. At an ambient temperature of 25°C, the LED lumen maintenance expectation according to IES TM-21-11 is: L<sub>90</sub> (9k) >54,000 hrs (**Reported** methodology). L<sub>80</sub> (9k) 145,000 hrs (**Projected** methodology).

## Source Color

LEDs rated for color rendering CRI >80, R9 >0 and fixture to fixture color accuracy within 2 SDCM.

## Controls

Available with the following integrated controls: Response daylight sensor (for single zone).

## Wiring

**Recessed:** Optional flex whips are supplied in 6' lengths. **Surface:** Standard wiring configurations available.

## Approvals

Certified to UL, CSA, and IES standards. City of Chicago Approved CCEA (housing option C). Certain versions without battery packs are DesignLights Consortium® qualified. Please see the DLC QPL list for exact catalog numbers ([www.designlights.org/QPL](http://www.designlights.org/QPL)).

## Warranty

Five-year luminaire limited warranty including LED boards and driver.

USA: <http://www.usa.lighting.philips.com/support/support/warranty>

Canada: <http://www.lighting.philips.ca/support/support/warranty>

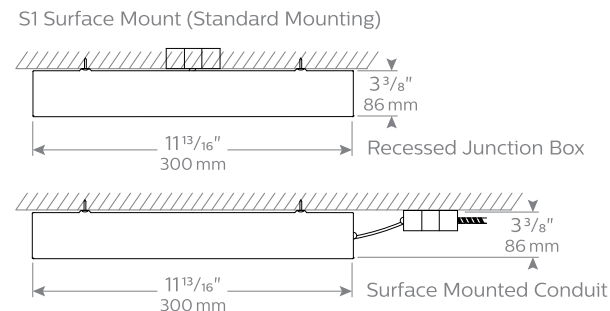
## Environment

Rated for dry & damp locations in operating ambient temperatures of 0-25°C (32-77°F). Many luminaire components, such as reflectors, refractors, lenses, and LEDs are made from various types of plastics which can be adversely affected by airborne contaminants. If sulfur based chemicals, petroleum based products, cleaning solutions, or other contaminants are expected in the intended area of use, consult factory for compatibility. Damage caused by sulfur, chlorine, petroleum based solution or other contaminants are not covered under warranty.

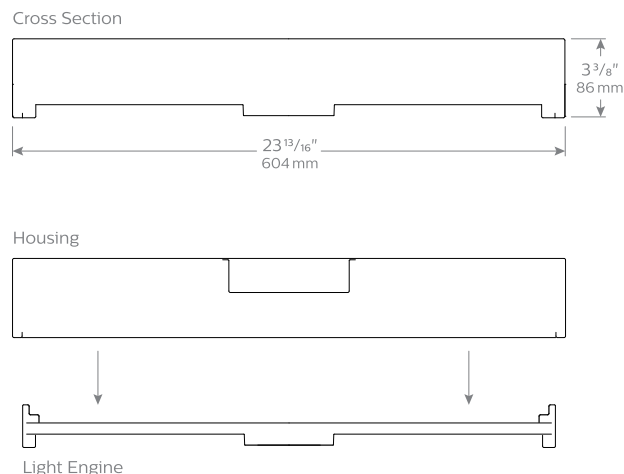
Due to continuing product improvements, Philips Ledalite reserves the right to change the specifications without notice.

## Options and Details

### Mounting



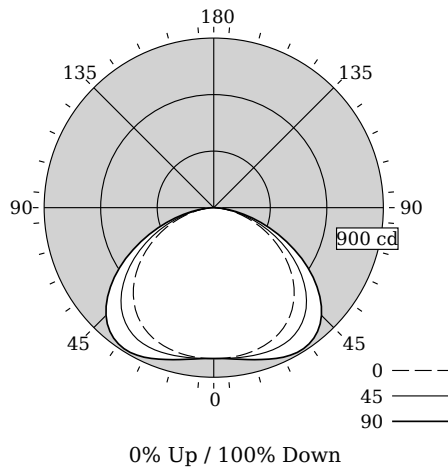
### Cross Section



# VersaForm

2'x2', 3000 lm  
CRI 90 3500K

## Photometry - 3500K



### Candela Distribution

Vertical Angle	Horizontal Angle				Zonal Lumens
	0	22.5	45	67.5	
0	801	801	801	801	0
5	801	802	803	804	77
15	790	797	812	828	230
25	763	779	816	857	378
35	704	727	786	852	494
45	603	628	696	772	539
55	464	485	544	610	489
65	309	323	360	405	360
75	156	162	180	201	193
85	36	36	38	42	47
90	0	0	0	0	0
95	0	0	0	0	0
105	0	0	0	0	0
115	0	0	0	0	0
125	0	0	0	0	0
135	0	0	0	0	0
145	0	0	0	0	0
155	0	0	0	0	0
165	0	0	0	0	0
175	0	0	0	0	0
180	0	0	0	0	0

Fixture photometry has been conducted in accordance with IESNA LM-79-08

IES files for this and other photometric options can be downloaded online at [www.lightingproducts.philips.com](http://www.lightingproducts.philips.com)

### Coefficients of Utilization (%)

RCR	Ceiling				Wall				0		
	70	50	30	10	70	50	30	10			
0	119	119	119	119	116	116	116	111	111	111	100
1	109	104	99	96	106	101	98	97	94	91	83
2	98	90	83	77	96	88	82	85	79	75	69
3	89	79	70	64	87	77	69	74	67	62	58
4	82	69	60	53	79	68	60	65	58	52	49
5	75	62	52	46	73	61	52	58	51	45	42
6	69	55	46	40	67	54	46	52	45	39	36
7	64	50	41	35	62	49	41	48	40	34	32
8	59	45	37	31	58	45	36	43	36	30	28
9	55	41	33	27	54	41	33	40	32	27	25
10	52	38	30	25	50	38	30	37	29	24	22

### Avg. Luminance (cd/m2)

Vertical Angle	Horizontal Angle		
	0	45	90
55	2625	3082	3647
65	2375	2766	3275
75	1951	2252	2662
85	1323	1431	1681

### Distribution Summary

Hemisphere	0% Up / 100% Down
Spacing Along (0 °)	1.36
Spacing Across (90 °)	1.63

Philips Ledalite

**Lighting facts**  
A Program of the U.S. DOE

---

**Light Output (Lumens)** **2806**

**Watts** **32.5**

**Lumens per Watt (Efficacy)** **86**

---

**Color Accuracy** **92**

Color Rendering Index (CRI)

---

**Light Color** **3347 (Bright White)**

Correlated Color Temperature (CCT)

2700K    3000K    4500K    6500K

---

**Warranty\*\*** **Yes**

All results, except LED Lumen Maintenance, are according to IESNA LM-79-2008: Approved Method for the Electrical and Photometric Testing of Solid-State Lighting. The U.S. Department of Energy (DOE) verifies product test data and results.

\*\* See [www.lightingfacts.com/products](http://www.lightingfacts.com/products) for details.

Registration Number: F46Z-Q1J3IE (7/11/2014)  
Model Number: 4x22xxxL9BE  
Type: Luminaire - Troffer/Grid Ceiling

# VersaForm

2'x2', 3000 lm  
CRI 90 3500K

## Optical Performance

Flux (lm)	2806
Efficacy (lm/W)	86.3
Power (W)	32.5
CCT (K)	3347
CRI	92
R9	76
x	0.4158
y	0.3990
Duv	0.0010

## Electrical Performance - 3500K

Input Voltage	120V	277V	347V
Input Power	32.5W	32.5W	32.2W
Input Current	0.28A	0.13A	0.10A
Power Factor	0.982	0.890	0.961
Total Harm. Distortion	15.1%	19.0%	10.0%

Tested values . contact technical support for rated values. Off-state power zero unless certain controls are specified.

