

Unlock your vision

VERSAFORM SURFACE 2'X2' LED



DIRECT, BEAM SHAPING LIGHT GUIDE WITH STEPPED
DIFFUSER
2'x2', 3000 lm 4000K

Project:

Spec Type:

Catalog No: 4122SxxxL8AE

Qty

Line Notes:



Ordering guide

Product Type	Version	Configuration	Light Source *	CRI/CCT	Lumens *	Housing	Wiring †	Voltage	Driver
4122		ST	L	8A	E				
VersaForm Surface 2'x2' LED	D1 Standard T Grid D2 Slot T Grid A1 Air Return on Standard T Grid A2 Air Return on Slot T Grid S1 Discrete Surface Mount	ST Standalone	L LED	8C CRI 80 3000K 8B CRI 80 3500K 8A CRI 80 4000K 9B CRI 90 3500K	E 3000 lm D 4000 lm	S Standard C Chicago Plenum	1 1 cct 5 1 cct + EM Batt. Pack 7 1 cct Dimming N 1 cct Dimming + EM Batt. Pack T 1 cct Step Dimming	1 120V 2 277V 3 347V	E Philips Advance

* Nominal values within a range. Consult photometry data for exact color temp, lumens & distribution.

† Not all wiring types are available with all configurations. Consult Philips Ledalite for a complete list of available options.

Integrated Controls Please indicate with check mark.

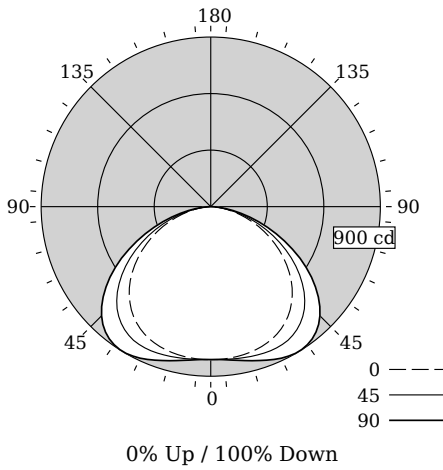
No Options Available



VERSAFORM SURFACE 2'X2' LED

DIRECT, BEAM SHAPING LIGHT GUIDE WITH STEPPED DIFFUSER

Photometry



Total Output	2844 lm
Efficacy	101.6 lm/W
CCT	3900K
CRI	82
Distribution	0% Up / 100% Down
Spacing Criteria (0/90°)	1.36/1.63

Fixture photometry has been conducted in accordance with IESNA LM-79-08

IES files for this and other photometric options can be downloaded online at www.lightingproducts.philips.com

Candela Distribution

Vertical Angle	Horizontal Angle				Zonal Lumens
	0	22.5	45	67.5	
0	811	811	811	811	0
5	811	812	813	814	78
15	801	808	823	839	233
25	774	789	827	869	383
35	713	737	797	864	500
45	611	636	705	782	546
55	470	491	552	618	496
65	313	327	365	411	365
75	158	164	182	203	196
85	36	37	39	43	48
90	0	0	0	0	0
95	0	0	0	0	0
105	0	0	0	0	0
115	0	0	0	0	0
125	0	0	0	0	0
135	0	0	0	0	0
145	0	0	0	0	0
155	0	0	0	0	0
165	0	0	0	0	0
175	0	0	0	0	0
180	0	0	0	0	0

Coefficients of Utilization (%)

RCR	Ceiling: Wall:	80				70				50				0	
		70	50	30	10	70	50	30	10	50	30	10	0	0	
0		119	119	119	119	116	116	116	111	111	111	111	111	100	
1		109	104	99	96	106	101	98	97	94	91	88	83		
2		98	90	83	77	96	88	82	85	79	75	69			
3		89	79	70	64	87	77	69	74	67	62	58			
4		82	69	60	53	79	68	60	65	58	52	49			
5		75	62	52	46	73	61	52	58	51	45	42			
6		69	55	46	40	67	54	46	52	45	39	36			
7		64	50	41	35	62	49	41	48	40	34	32			
8		59	45	37	31	58	45	36	43	36	30	28			
9		55	41	33	27	54	41	33	40	32	27	25			
10		52	38	30	25	50	38	30	37	29	24	22			

Avg. Luminance (cd/m²)

Vertical Angle	Horizontal Angle		
	0	45	90
55	2661	3123	3696
65	2407	2804	3319
75	1978	2283	2698
85	1341	1450	1704

Electrical Specifications

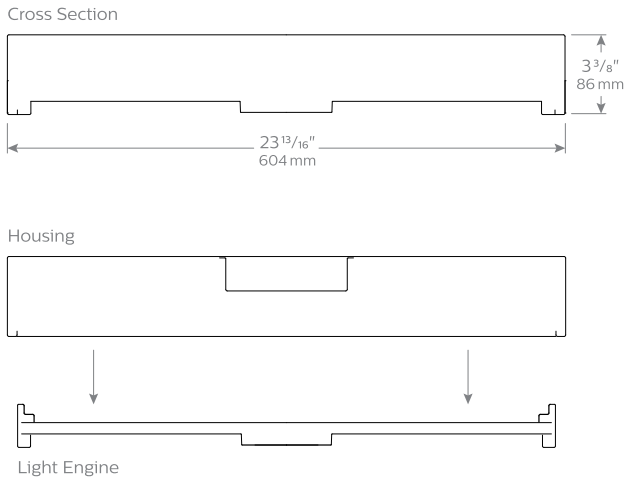
Input Voltage	120V	277V
Input Power	28.0W	27.4W
Input Current	0.23A	0.10A
Power Factor	0.998	0.948
Total Harm. Distortion	6.6%	13.0%

Tested values – contact technical support for rated values.
Off-state power zero unless certain controls are specified.

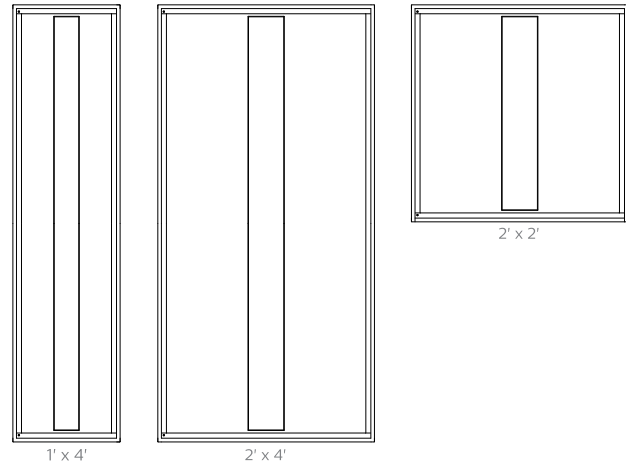
VERSAFORM SURFACE 2'X2' LED

DIRECT, BEAM SHAPING LIGHT GUIDE WITH STEPPED DIFFUSER

Options and Details

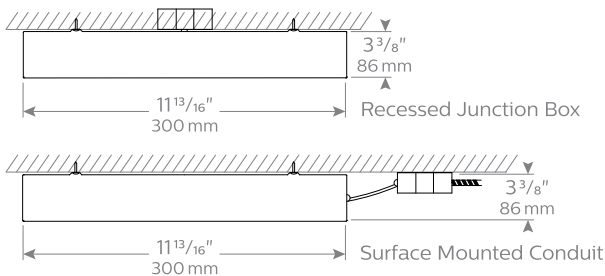


Lens View



Mounting

S1 Surface Mount (Standard Mounting)



Housing

Die-formed, post painted, 22 gauge cold-rolled steel. Wire entrance with additional knock-out available on top side for electrical connections.

Weight

Maximum: 2x2 = 24lb, 1x4 = 28lb, 2x4 = 38lb

Optical System

The optical frame assembly consists of integrated LED arrays edgelighting a light guide panel in order to deliver uniform controlled light through a lower lens. The optical frame ends are constructed from die-formed cold-rolled steel, assembled together with extruded aluminum profiles in a sturdy frame. The frame is hinged (side marked) to allow easy access to the inside of the fixture. Maintenance can be performed from below the ceiling.

Standard Driver

0-10V Dimming – 5-100%. Output is class 2 rated, contact factory for other options.

Lumen Maintenance

At an ambient temperature of 25°C, the LED lumen maintenance expectation is $L_{70}(9k) > 54$ kh. Reported according to IES TM-21 Addendum A methodology (9k LM-80 test duration)

Mounting

Recessed: Fixtures can be fastened directly to the T-bar grid and/or tied-off to the building structure. **Surface:** Fixtures can be mounted over recessed junction box and side entry also available.

Electrical

Factory pre-wired with driver safety disconnect.

Wiring

Recessed: Optional flex whips are supplied in 6' lengths. **Surface:** Standard wiring configurations available.

Approvals

Certified to UL, CSA, DLC & IES Standards. City of Chicago Approved CCEA (housing option C).

Finish

Housing and Frame painted, high quality, powder coated matte white only.

Environment

Rated for dry & damp locations in operating in ambient temperatures of 25°C. Certain luminaire components may be adversely affected by contaminants. Damage caused by sulfur, chlorine, petroleum based solutions or other contaminants are not covered under warranty.

Due to continuing product improvements, Philips Ledalite reserves the right to change the specifications without notice.



© 2014 Koninklijke Philips N.V. All rights reserved. Specifications are subject to change without notice. www.philips.com/luminaires

VrsFrmSurf2x2_8-40K30lm 03.17 page 3 of 3

Philips Lighting
North America Corporation
200 Franklin Square Drive
Somerset, NJ 08873
Phone: 855-486-2216

Philips Lighting Company
281 Hillmount Road
Markham ON, Canada L6C
2S3
Phone: 800-668-900