

# Unlock your vision

## VERSAFORM SURFACE 2'X2' LED



DIRECT, BEAM SHAPING LIGHT GUIDE WITH STEPPED  
DIFFUSER  
2'x2', 3000 lm 3500K

**Project:**

---

**Spec Type:**

---

**Catalog No:** 4122SxxxL8BE

---

**Qty**

---

**Line Notes:**



### Ordering guide

Product Type	Version	Configuration	Light Source *	CRI/CCT	Lumens *	Housing	Wiring †	Voltage	Driver
4122		ST	L	8B	E				
VersaForm Surface 2'x2' LED	<b>D1</b> Standard T Grid <b>D2</b> Slot T Grid <b>A1</b> Air Return on Standard T Grid <b>A2</b> Air Return on Slot T Grid <b>S1</b> Discrete Surface Mount	ST Standalone	L LED	<b>8C</b> CRI 80 3000K <b>8B</b> CRI 80 3500K <b>8A</b> CRI 80 4000K <b>9B</b> CRI 90 3500K	<b>E</b> 3000 lm <b>D</b> 4000 lm	<b>S</b> Standard <b>C</b> Chicago Plenum	<b>1</b> 1 cct <b>5</b> 1 cct + EM Batt. Pack <b>7</b> 1 cct Dimming <b>N</b> 1 cct Dimming + EM Batt. Pack <b>T</b> 1 cct Step Dimming	<b>1</b> 120V <b>2</b> 277V <b>3</b> 347V	<b>E</b> Philips Advance

\* Nominal values within a range. Consult photometry data for exact color temp, lumens & distribution.

† Not all wiring types are available with all configurations. Consult Philips Ledalite for a complete list of available options.

**Integrated Controls** Please indicate with check mark.

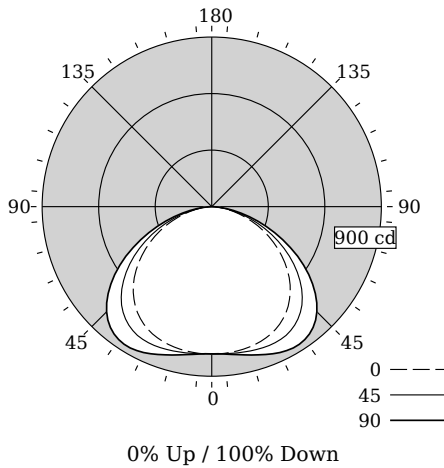
No Options Available



# VERSAFORM SURFACE 2'X2' LED

DIRECT, BEAM SHAPING LIGHT GUIDE WITH STEPPED DIFFUSER

## Photometry



<b>Total Output</b>	<b>2739 lm</b>
<b>Efficacy</b>	<b>98.2 lm/W</b>
<b>CCT</b>	<b>3348K</b>
<b>CRI</b>	<b>82</b>
<b>Distribution</b>	<b>0% Up / 100% Down</b>
<b>Spacing Criteria (0/90°)</b>	<b>1.36/1.63</b>

Fixture photometry has been conducted in accordance with IESNA LM-79-08

IES files for this and other photometric options can be downloaded online at [www.lightingproducts.philips.com](http://www.lightingproducts.philips.com)

## Candela Distribution

Vertical Angle	Horizontal Angle				Zonal Lumens
	0	22.5	45	67.5	
0	781	781	781	781	0
5	781	782	783	784	75
15	771	778	793	808	225
25	745	760	796	837	369
35	687	709	767	832	482
45	588	613	679	753	526
55	453	473	531	595	477
65	302	315	351	395	351
75	152	158	175	196	188
85	35	36	37	41	46
90	0	0	0	0	0
95	0	0	0	0	0
105	0	0	0	0	0
115	0	0	0	0	0
125	0	0	0	0	0
135	0	0	0	0	0
145	0	0	0	0	0
155	0	0	0	0	0
165	0	0	0	0	0
175	0	0	0	0	0
180	0	0	0	0	0

## Coefficients of Utilization (%)

RCR	Ceiling: Wall											
	70	80	30	10	70	50	30	50	30	10	0	0
0	119	119	119	119	116	116	116	111	111	111	100	100
1	109	104	99	96	106	101	98	97	94	91	83	83
2	98	90	83	77	96	88	82	85	79	75	69	69
3	89	79	70	64	87	77	69	74	67	62	58	58
4	82	69	60	53	79	68	60	65	58	52	49	49
5	75	62	52	46	73	61	52	58	51	45	42	42
6	69	55	46	40	67	54	46	52	45	39	36	36
7	64	50	41	35	62	49	41	48	40	34	32	32
8	59	45	37	31	58	45	36	43	36	30	28	28
9	55	41	33	27	54	41	33	40	32	27	25	25
10	52	38	30	25	50	38	30	37	29	24	22	22

## Avg. Luminance (cd/m<sup>2</sup>)

Vertical Angle	Horizontal Angle		
	0	45	90
55	2562	3008	3560
65	2318	2700	3197
75	1904	2198	2598
85	1292	1396	1641

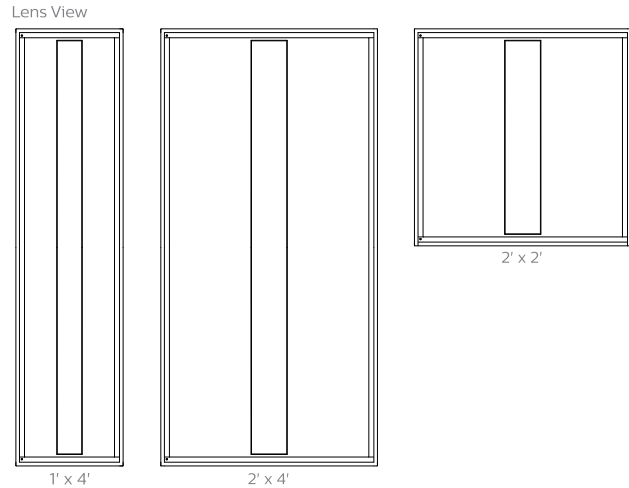
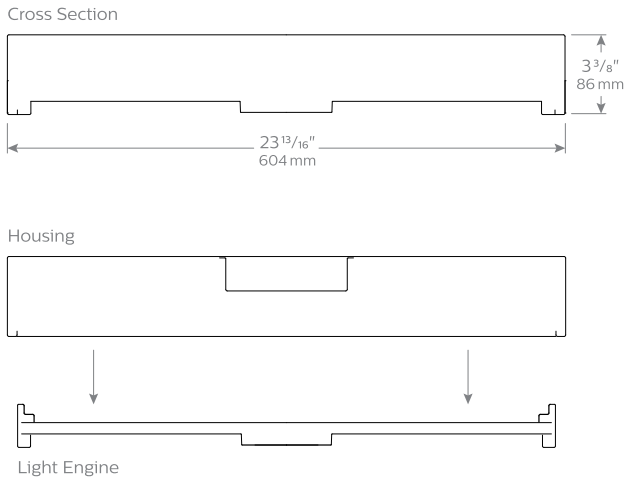
## Electrical Specifications

<b>Input Voltage</b>	<b>120V</b>	<b>277V</b>
<b>Input Power</b>	<b>27.9W</b>	<b>27.3W</b>
<b>Input Current</b>	<b>0.23A</b>	<b>0.10A</b>
<b>Power Factor</b>	<b>0.998</b>	<b>0.948</b>
<b>Total Harm. Distortion</b>	<b>6.6%</b>	<b>13.0%</b>
Tested values – contact technical support for rated values. Off-state power zero unless certain controls are specified.		

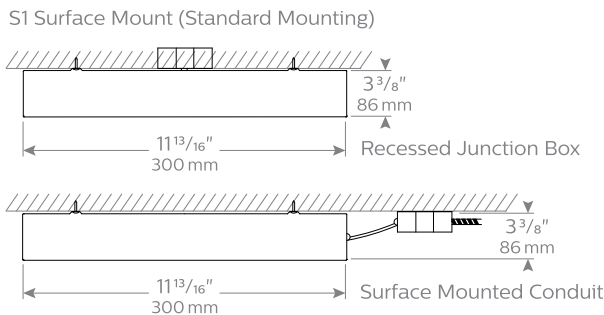
# VERSAFORM SURFACE 2'X2' LED

## DIRECT, BEAM SHAPING LIGHT GUIDE WITH STEPPED DIFFUSER

### Options and Details



### Mounting



### Housing

Die-formed, post painted, 22 gauge cold-rolled steel. Wire entrance with additional knock-out available on top side for electrical connections.

### Weight

Maximum: 2x2 = 24lb, 1x4 = 28lb, 2x4 = 38lb

### Optical System

The optical frame assembly consists of integrated LED arrays edgelighting a light guide panel in order to deliver uniform controlled light through a lower lens. The optical frame ends are constructed from die-formed cold-rolled steel, assembled together with extruded aluminum profiles in a sturdy frame. The frame is hinged (side marked) to allow easy access to the inside of the fixture. Maintenance can be performed from below the ceiling.

### Standard Driver

0-10V Dimming – 5-100%. Output is class 2 rated, contact factory for other options.

### Lumen Maintenance

At an ambient temperature of 25°C, the LED lumen maintenance expectation is  $L_{70}(9k) > 54$  kh. Reported according to IES TM-21 Addendum A methodology (9k LM-80 test duration)

### Mounting

**Recessed:** Fixtures can be fastened directly to the T-bar grid and/or tied-off to the building structure. **Surface:** Fixtures can be mounted over recessed junction box and side entry also available.

### Electrical

Factory pre-wired with driver safety disconnect.

### Wiring

**Recessed:** Optional flex whips are supplied in 6' lengths. **Surface:** Standard wiring configurations available.

### Approvals

Certified to UL, CSA, DLC & IES Standards. City of Chicago Approved CCEA (housing option C).

### Finish

Housing and Frame painted, high quality, powder coated matte white only.

### Environment

Rated for dry & damp locations in operating in ambient temperatures of 25°C. Certain luminaire components may be adversely affected by contaminants. Damage caused by sulfur, chlorine, petroleum based solutions or other contaminants are not covered under warranty.

Due to continuing product improvements, Philips Ledalite reserves the right to change the specifications without notice.



© 2014 Koninklijke Philips N.V. All rights reserved. Specifications are subject to change without notice. [www.philips.com/luminaires](http://www.philips.com/luminaires)

VrsFrmSurf2x2\_8-35K30lm 03.17 page 3 of 3

Philips Lighting  
 North America Corporation  
 200 Franklin Square Drive  
 Somerset, NJ 08873  
 Phone: 855-486-2216

Philips Lighting Company  
 281 Hillmount Road  
 Markham ON, Canada L6C  
 2S3  
 Phone: 800-668-900