



# Recessed

## VersaForm

2'x2', 3000 lm  
3000/3500/4000K



Project: \_\_\_\_\_  
Spec Type: \_\_\_\_\_  
Catalog No: 4122SxxxL8xE  
Qty \_\_\_\_\_  
Line Notes: \_\_\_\_\_

Specifically designed to blend high performance LED technology with versatile options to suit any area, VersaForm allows you to enjoy the latest LED energy efficiencies in concert with your unique style, and as your needs evolve, it's simple to change or upgrade with our unique detachable light engine.

### Ordering guide

Product Type	Version	Configuration	Light Source *	CRI/CCT	Lumens *	Housing	Wiring †	Voltage	Driver
4122		ST	L	8x	E				
VersaForm Surface 2'x2'	D1 Standard T Grid D2 Slot T Grid A1 Air Return on Standard T Grid A2 Air Return on Slot T Grid S1 Discrete Surface Mount	ST Standalone	L LED	8C CRI 80 3000K 8B CRI 80 3500K 8A CRI 80 4000K 9B CRI 90 3500K	E 3000 lm D 4000 lm	S Standard C Chicago Plenum	7 1 cct Dimming N 1 cct Dimming + EM Batt Pack T 1 cct Step Dimming	1 120V 2 277V 3 347V	E Philips Advance 0-10V (1% dim)

\* Nominal values within a range. Consult photometry data for color temp, lumens & distribution of chosen configuration.  
† Not all wiring types are available with all configurations. Consult Philips Ledalite for a complete list of available options.

### Upgrades & Accessories

Please indicate with check mark.



# VersaForm

2'x2', 3000 lm

3000/3500/4000K

## Optical System

The optical frame assembly consists of integrated LED arrays edge lighting a light guide panel in order to deliver uniform controlled light through a lower lens. The optical frame ends are constructed from die-formed cold-rolled steel, assembled together with extruded aluminum profiles in a sturdy frame. The frame is hinged (side marked) to allow easy access to the inside of the fixture. Maintenance can be performed from below the ceiling.

## Finish

Housing and frame painted, high quality, powder coated matte white only.

## Housing

Die-formed, post painted, 22 gauge cold-rolled steel. Wire entrance with additional knock-out available on top side for electrical connections.

## Weight

Maximum 28lbs (2x4); 21lbs (1x4); 15lbs (2x2).

## Electrical

Factory pre-wired with driver safety disconnect.

## Mounting

**Recessed:** Fixtures can be fastened directly to the T-bar grid and/or tied-off to the building structure. Optional drywall kit trim mount can be fastened to a wood frame or with hangar wire. Continuous row mounting not available with drywall kit trim mounts.

**Surface:** Fixtures can be mounted over recessed junction box and side entry also available.

## Standard Driver

Philips Advance Xitanium 0-10V, 1-100%, Class 2 rated output. Consult Philips Ledalite for other available drivers.

## Standard Battery Pack

Philips Bodine, 90 min, 10W, Class 2 rated output, Emergency lumen output = 10W x luminaire efficacy x 1.1. Typical output: 1100lm.

## Lumen Maintenance

LEDs have been tested by the manufacturer in accordance with IESNA LM-80-08. At an ambient temperature of 25°C, the LED lumen maintenance expectation according to IES TM-21-11 is: L90 (9k) >54,000 hrs (**Reported** methodology). L80 (9k) 145,000 hrs (**Projected** methodology).

## Source Color

LEDs rated for color rendering CRI >80, R9 >0 and fixture to fixture color accuracy within 2 SDCM.

## Controls

Available with the following integrated controls: Response daylight sensor (for single zone).

## Wiring

**Recessed:** Optional flex whips are supplied in 6' lengths. **Surface:** Standard wiring configurations available.

## Approvals

Certified to UL, CSA, and IES standards. City of Chicago Approved CCEA (housing option C). Certain versions without battery packs are DesignLights Consortium® qualified. Please see the DLC QPL list for exact catalog numbers ([www.designlights.org/QPL](http://www.designlights.org/QPL)).

## Warranty

Five-year luminaire limited warranty including LED boards and driver.

USA: <http://www.usa.lighting.philips.com/support/support/warranty>

Canada: <http://www.lighting.philips.ca/support/support/warranty>

## Environment

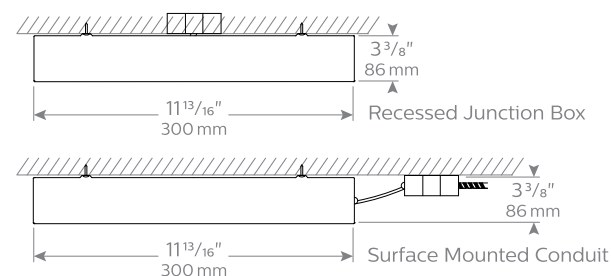
Rated for dry & damp locations in operating ambient temperatures of 0-25°C (32-77°F). Many luminaire components, such as reflectors, refractors, lenses, and LEDs are made from various types of plastics which can be adversely affected by airborne contaminants. If sulfur based chemicals, petroleum based products, cleaning solutions, or other contaminants are expected in the intended area of use, consult factory for compatibility. Damage caused by sulfur, chlorine, petroleum based solution or other contaminants are not covered under warranty.

Due to continuing product improvements, Philips Ledalite reserves the right to change the specifications without notice.

## Options and Details

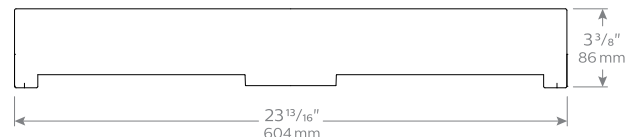
### Mounting

#### S1 Surface Mount (Standard Mounting)

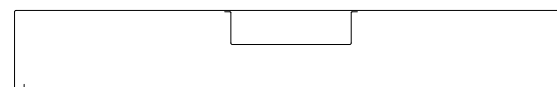


### Cross Section

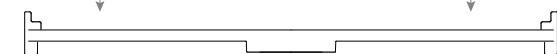
#### Cross Section



#### Housing



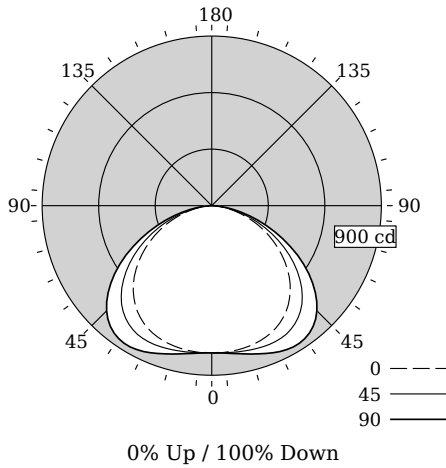
#### Light Engine



# VersaForm

2'x2', 3000 lm  
3000/3500/4000K

## Photometry - 3500K



### Candela Distribution

Vertical Angle	Horizontal Angle					Zonal Lumens
	0	22.5	45	67.5	90	
0	781	781	781	781	781	0
5	781	782	783	784	785	75
15	771	778	793	808	815	225
25	745	760	796	837	855	369
35	687	709	767	832	861	482
45	588	613	679	753	789	526
55	453	473	531	595	629	477
65	302	315	351	395	416	351
75	152	158	175	196	207	188
85	35	36	37	41	44	46
90	0	0	0	0	0	0
95	0	0	0	0	0	0
105	0	0	0	0	0	0
115	0	0	0	0	0	0
125	0	0	0	0	0	0
135	0	0	0	0	0	0
145	0	0	0	0	0	0
155	0	0	0	0	0	0
165	0	0	0	0	0	0
175	0	0	0	0	0	0
180	0	0	0	0	0	0

Fixture photometry has been conducted in accordance with IESNA LM-79-08

IES files for this and other photometric options can be downloaded online at [www.lightingproducts.philips.com](http://www.lightingproducts.philips.com)

### Coefficients of Utilization (%)

RCR	Ceiling																						
	70	50	30	10	70	50	30	10	70	50	30	10	70	50	30	10	70	50	30	10			
0	119	119	119	119	116	116	116	111	111	111	111	100	119	119	119	119	116	116	116	111	111	111	100
1	109	104	99	96	106	101	98	97	94	91	83	83	109	104	99	96	106	101	98	97	94	91	83
2	98	90	83	77	96	88	82	85	79	75	69	69	98	90	83	77	96	88	82	85	79	75	69
3	89	79	70	64	87	77	69	74	67	62	58	58	89	79	70	64	87	77	69	74	67	62	58
4	82	69	60	53	79	68	60	65	58	52	49	49	82	69	60	53	79	68	60	65	58	52	49
5	75	62	52	46	73	61	52	58	51	45	42	42	75	62	52	46	73	61	52	58	51	45	42
6	69	55	46	40	67	54	46	52	45	39	36	36	69	55	46	40	67	54	46	52	45	39	36
7	64	50	41	35	62	49	41	48	40	34	32	32	64	50	41	35	62	49	41	48	40	34	32
8	59	45	37	31	58	45	36	43	36	30	28	28	59	45	37	31	58	45	36	43	36	30	28
9	55	41	33	27	54	41	33	40	32	27	25	25	55	41	33	27	54	41	33	40	32	27	25
10	52	38	30	25	50	38	30	37	29	24	22	22	52	38	30	25	50	38	30	37	29	24	22

### Avg. Luminance (cd/m2)

Vertical Angle	Horizontal Angle		
	0	45	90
55	2562	3008	3560
65	2318	2700	3197
75	1904	2198	2598
85	1292	1396	1641

### Distribution Summary

Hemisphere	0% Up / 100% Down
Spacing Along (0 °)	1.36
Spacing Across (90 °)	1.63

Philips Ledalite

**Lighting facts**  
A Program of the U.S. DOE

---

**Light Output (Lumens)** 2738  
**Watts** 27.9  
**Lumens per Watt (Efficacy)** 98

---

**Color Accuracy** 82  
Color Rendering Index (CRI)

---

**Light Color** 3348 (Bright White)  
Correlated Color Temperature (CCT)

2700K 3000K 4500K 6500K

---

**Warranty\*\*** Yes

All results, except LED Lumen Maintenance, are according to IESNA LM-79-2008: Approved Method for the Electrical and Photometric Testing of Solid-State Lighting. The U.S. Department of Energy (DOE) verifies product test data and results.

\*\* See [www.lightingfacts.com/products](http://www.lightingfacts.com/products) for details.

Registration Number: F46Z-RDZ1T2 (7/11/2014)  
Model Number: 4x22xxxL8BE  
Type: Luminaire - Troffer/Grid Ceiling

# VersaForm

2'x2', 3000 lm  
3000/3500/4000K

## Optical Performance

Flux (lm)	2844	2739	2666
Efficacy (lm/W)	101.6	98.2	95.6
Power (W)	28.0	27.9	27.9
CCT (K)	3900	3348	2995
CRI	82	82	81
R9	11	6	3
x	0.3865	0.4162	0.4397
y	0.3849	0.4002	0.4092
Duv	0.0020	0.0020	0.0020

## Electrical Performance - 3500K

Input Voltage	120V	277V	347V
Input Power	27.9W	27.3W	26.9W
Input Current	0.23A	0.10A	0.08A
Power Factor	0.998	0.948	0.949
Total Harm. Distortion	6.6%	13.0%	11.0%

Tested values . contact technical support for rated values. Off-state power zero unless certain controls are specified.

