

# Unlock your vision

## VERSAFORM SURFACE 2'X2' LED



DIRECT, BEAM SHAPING LIGHT GUIDE WITH STEPPED  
DIFFUSER  
2'x2', 4000 lm 3000K

**Project:**

---

**Spec Type:**

---

**Catalog No:** 4122SxxxL8CD

---

**Qty**

---

**Line Notes:**



### Ordering guide

Product Type	Version	Configuration	Light Source *	CRI/CCT	Lumens *	Housing	Wiring †	Voltage	Driver
4122		ST	L	8C	D				
VersaForm Surface 2'x2' LED	<b>D1</b> Standard T Grid <b>D2</b> Slot T Grid <b>A1</b> Air Return on Standard T Grid <b>A2</b> Air Return on Slot T Grid <b>S1</b> Discrete Surface Mount	ST Standalone	L LED	<b>8C</b> CRI 80 3000K <b>8B</b> CRI 80 3500K <b>8A</b> CRI 80 4000K <b>9B</b> CRI 90 3500K	<b>E</b> 3000 lm <b>D</b> 4000 lm	<b>S</b> Standard <b>C</b> Chicago Plenum	<b>1</b> 1 cct <b>5</b> 1 cct + EM Batt. Pack <b>7</b> 1 cct Dimming <b>N</b> 1 cct Dimming + EM Batt. Pack <b>T</b> 1 cct Step Dimming	<b>1</b> 120V <b>2</b> 277V <b>3</b> 347V	<b>E</b> Philips Advance

\* Nominal values within a range. Consult photometry data for exact color temp, lumens & distribution.

† Not all wiring types are available with all configurations. Consult Philips Ledalite for a complete list of available options.

**Integrated Controls** Please indicate with check mark.

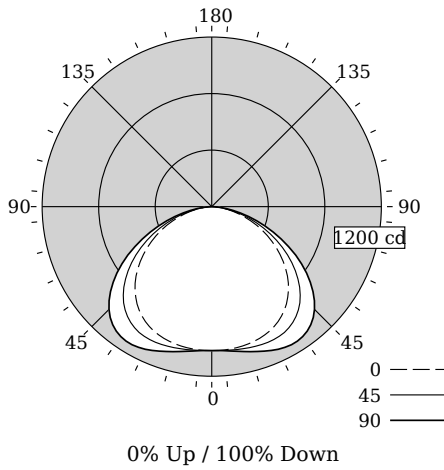
No Options Available



# VERSAFORM SURFACE 2'X2' LED

DIRECT, BEAM SHAPING LIGHT GUIDE WITH STEPPED DIFFUSER

## Photometry



<b>Total Output</b>	<b>3569 lm</b>
<b>Efficacy</b>	<b>98.9 lm/W</b>
<b>CCT</b>	<b>3002K</b>
<b>CRI</b>	<b>81</b>
<b>Distribution</b>	<b>0% Up / 100% Down</b>
<b>Spacing Criteria (0/90°)</b>	<b>1.36/1.63</b>

Fixture photometry has been conducted in accordance with IESNA LM-79-08

IES files for this and other photometric options can be downloaded online at [www.lightingproducts.philips.com](http://www.lightingproducts.philips.com)

## Candela Distribution

Vertical Angle	Horizontal Angle				Zonal Lumens
	0	22.5	45	67.5	
0	1018	1018	1018	1018	0
5	1018	1020	1021	1022	98
15	1005	1013	1033	1053	293
25	971	990	1038	1090	480
35	895	924	1000	1084	628
45	767	799	885	982	685
55	590	617	692	775	819
65	393	410	458	515	542
75	198	206	228	255	270
85	45	46	49	54	57
90	0	0	0	0	0
95	0	0	0	0	0
105	0	0	0	0	0
115	0	0	0	0	0
125	0	0	0	0	0
135	0	0	0	0	0
145	0	0	0	0	0
155	0	0	0	0	0
165	0	0	0	0	0
175	0	0	0	0	0
180	0	0	0	0	0

## Coefficients of Utilization (%)

RCR	Ceiling Wall	80				70				50				0	
		70	50	30	10	70	50	30	10	50	30	10	0	0	
0		119	119	119	119	116	116	116	111	111	111	111	111	100	
1		109	104	99	96	106	101	98	97	94	91	88	83	83	
2		98	90	83	77	96	88	82	85	79	75	69	69	69	
3		89	79	70	64	87	77	69	74	67	62	58	58	58	
4		82	69	60	53	79	68	60	65	58	52	49	49	49	
5		75	62	52	46	73	61	52	58	51	45	42	42	42	
6		69	55	46	40	67	54	46	52	45	39	36	36	36	
7		64	50	41	35	62	49	41	48	40	34	32	32	32	
8		59	45	37	31	58	45	36	43	36	30	28	28	28	
9		55	41	33	27	54	41	33	40	32	27	25	25	25	
10		52	38	30	25	50	38	30	37	29	24	22	22	22	

## Avg. Luminance (cd/m<sup>2</sup>)

Vertical Angle	Horizontal Angle		
	0	45	90
55	3339	3919	4638
65	3021	3518	4166
75	2482	2865	3386
85	1683	1820	2138

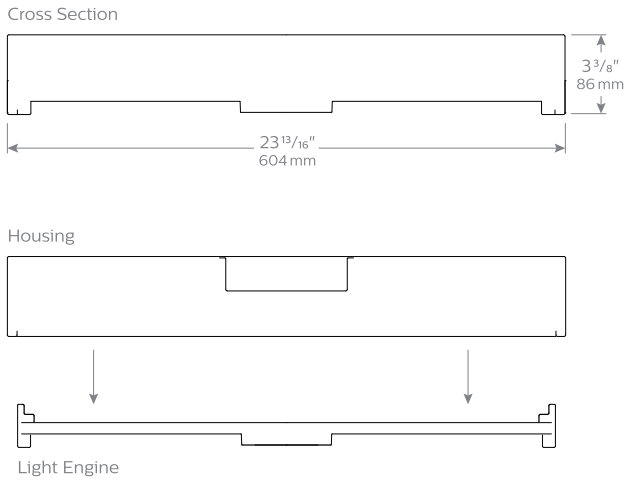
## Electrical Specifications

<b>Input Voltage</b>	<b>120V</b>	<b>277V</b>
<b>Input Power</b>	<b>36.1W</b>	<b>35.9W</b>
<b>Input Current</b>	<b>0.31A</b>	<b>0.14A</b>
<b>Power Factor</b>	<b>0.986</b>	<b>0.906</b>
<b>Total Harm. Distortion</b>	<b>14.3%</b>	<b>18.5%</b>
Tested values – contact technical support for rated values. Off-state power zero unless certain controls are specified.		

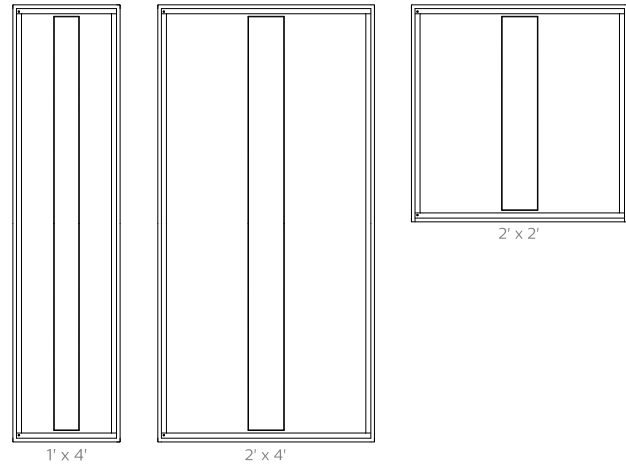
# VERSAFORM SURFACE 2'X2' LED

## DIRECT, BEAM SHAPING LIGHT GUIDE WITH STEPPED DIFFUSER

### Options and Details

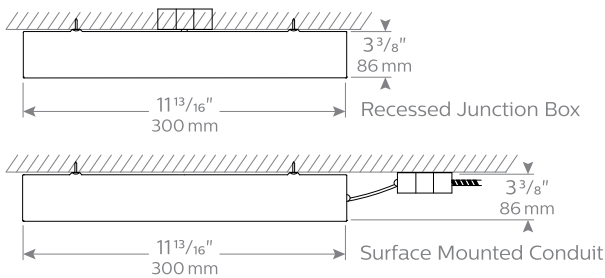


Lens View



### Mounting

#### S1 Surface Mount (Standard Mounting)



### Housing

Die-formed, post painted, 22 gauge cold-rolled steel. Wire entrance with additional knock-out available on top side for electrical connections.

### Weight

Maximum: 2x2 = 24lb, 1x4 = 28lb, 2x4 = 38lb

### Optical System

The optical frame assembly consists of integrated LED arrays edgelighting a light guide panel in order to deliver uniform controlled light through a lower lens. The optical frame ends are constructed from die-formed cold-rolled steel, assembled together with extruded aluminum profiles in a sturdy frame. The frame is hinged (side marked) to allow easy access to the inside of the fixture. Maintenance can be performed from below the ceiling.

### Standard Driver

0-10V Dimming – 5-100%. Output is class 2 rated, contact factory for other options.

### Lumen Maintenance

At an ambient temperature of 25°C, the LED lumen maintenance expectation is  $L_{70} (9k) > 54$  kh. Reported according to IES TM-21 Addendum A methodology (9k LM-80 test duration)

### Mounting

**Recessed:** Fixtures can be fastened directly to the T-bar grid and/or tied-off to the building structure. **Surface:** Fixtures can be mounted over recessed junction box and side entry also available.

### Electrical

Factory pre-wired with driver safety disconnect.

### Wiring

**Recessed:** Optional flex whips are supplied in 6' lengths. **Surface:** Standard wiring configurations available.

### Approvals

Certified to UL, CSA, DLC & IES Standards. City of Chicago Approved CCEA (housing option C).

### Finish

Housing and Frame painted, high quality, powder coated matte white only.

### Environment

Rated for dry & damp locations in operating in ambient temperatures of 25°C. Certain luminaire components may be adversely affected by contaminants. Damage caused by sulfur, chlorine, petroleum based solutions or other contaminants are not covered under warranty.

Due to continuing product improvements, Philips Ledalite reserves the right to change the specifications without notice.



© 2014 Koninklijke Philips N.V. All rights reserved. Specifications are subject to change without notice. [www.philips.com/luminaires](http://www.philips.com/luminaires)

VrsFrmSurf2x2\_8-30K40lm 03.17 page 3 of 3

Philips Lighting  
North America Corporation  
200 Franklin Square Drive  
Somerset, NJ 08873  
Phone: 855-486-2216

Philips Lighting Company  
281 Hillmount Road  
Markham ON, Canada L6C  
2S3  
Phone: 800-668-900