

# Unlock your vision

## VERSAFORM SURFACE 1'X4' LED



DIRECT, BEAM SHAPING LIGHT GUIDE WITH STEPPED  
DIFFUSER  
1'x4', 3000 lm 4000K

**Project:**

---

**Spec Type:**

---

**Catalog No:** 4114SxxxL8AE

---

**Qty**

---

**Line Notes:**

### Ordering guide



Product Type	Version	Configuration	Light Source *	CRI/CCT	Lumens *	Housing	Wiring †	Voltage	Driver
4114		ST	L	8A	E				
VersaForm Surface 1'x4' LED	D1 Standard T Grid D2 Slot T Grid S1 Discrete Surface Mount	ST Standalone	L LED	8C CRI 80 3000K 8B CRI 80 3500K 8A CRI 80 4000K 9B CRI 90 3500K	E 3000 lm D 4000 lm	S Standard C Chicago Plenum	1 1 cct 5 1 cct + EM Batt. Pack 7 1 cct Dimming N 1 cct Dimming + EM Batt. Pack T 1 cct Step Dimming	1 120V 2 277V 3 347V	E Philips Advance

\* Nominal values within a range. Consult photometry data for exact color temp, lumens & distribution.

† Not all wiring types are available with all configurations. Consult Philips Ledalite for a complete list of available options.

**Integrated Controls** Please indicate with check mark.

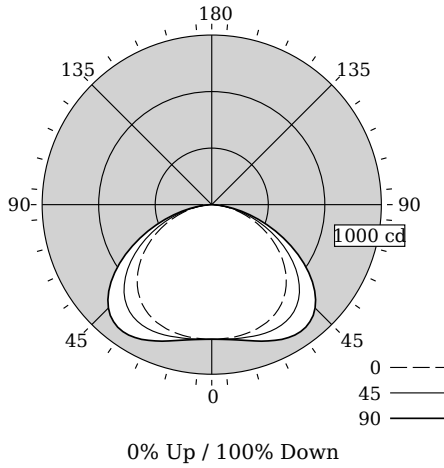
No Options Available



# VERSAFORM SURFACE 1'X4' LED

DIRECT, BEAM SHAPING LIGHT GUIDE WITH STEPPED DIFFUSER

## Photometry



<b>Total Output</b>	<b>2938 lm</b>
<b>Efficacy</b>	<b>109.2 lm/W</b>
<b>CCT</b>	<b>3876K</b>
<b>CRI</b>	<b>83</b>
<b>Distribution</b>	<b>0% Up / 100% Down</b>
<b>Spacing Criteria (0/90°)</b>	<b>1.39/1.70</b>

Fixture photometry has been conducted in accordance with IESNA LM-79-08

IES files for this and other photometric options can be downloaded online at [www.lightingproducts.philips.com](http://www.lightingproducts.philips.com)

### Candela Distribution

Vertical Angle	Horizontal Angle				Zonal Lumens
	0	22.5	45	67.5	
0	794	794	794	794	0
5	793	792	797	799	76
15	787	792	809	825	230
25	767	779	823	866	380
35	715	737	808	883	507
45	621	648	731	822	566
55	487	511	582	661	523
65	330	345	390	441	389
75	172	178	198	221	213
85	45	44	46	46	54
90	0	0	0	0	0
95	0	0	0	0	0
105	0	0	0	0	0
115	0	0	0	0	0
125	0	0	0	0	0
135	0	0	0	0	0
145	0	0	0	0	0
155	0	0	0	0	0
165	0	0	0	0	0
175	0	0	0	0	0
180	0	0	0	0	0

### Coefficients of Utilization (%)

RCR	Ceiling		80				70				50				0	
	Wall	70	50	30	10	70	50	30	10	50	30	10	0	0		
0	119	119	119	119	116	116	116	111	111	111	111	111	100	100		
1	108	103	99	95	106	101	97	97	94	91	88	83	83	83		
2	98	90	83	77	95	88	81	84	79	74	68	68	68	68		
3	89	78	70	63	87	77	69	73	67	61	57	57	57	57		
4	81	69	60	53	79	67	59	65	57	52	48	48	48	48		
5	74	61	52	45	72	60	51	58	50	44	41	41	41	41		
6	68	55	45	39	66	54	45	52	44	38	35	35	35	35		
7	63	49	40	34	61	48	40	47	39	33	31	31	31	31		
8	59	45	36	30	57	44	36	43	35	30	27	27	27	27		
9	55	41	32	27	53	40	32	39	32	26	24	24	24	24		
10	51	38	29	24	50	37	29	36	29	24	22	22	22	22		

### Avg. Luminance (cd/m<sup>2</sup>)

Vertical Angle	Horizontal Angle		
	0	45	90
55	2890	3454	4144
65	2655	3139	3760
75	2266	2609	3057
85	1761	1800	1683

## Electrical Specifications

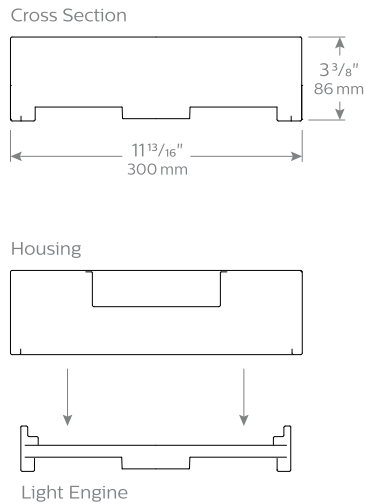
<b>Input Voltage</b>	<b>120V</b>	<b>277V</b>
<b>Input Power</b>	<b>26.9W</b>	<b>26.4W</b>
<b>Input Current</b>	<b>0.23A</b>	<b>0.10A</b>
<b>Power Factor</b>	<b>0.996</b>	<b>0.944</b>
<b>Total Harm. Distortion</b>	<b>6.9%</b>	<b>13.1%</b>

Tested values – contact technical support for rated values.  
Off-state power zero unless certain controls are specified.

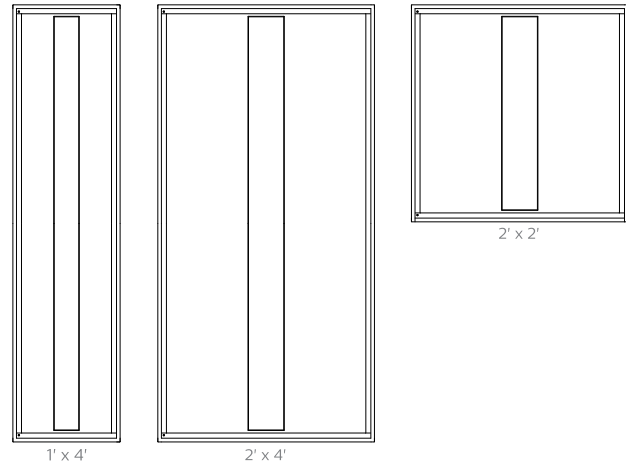
# VERSAFORM SURFACE 1'X4' LED

## DIRECT, BEAM SHAPING LIGHT GUIDE WITH STEPPED DIFFUSER

### Options and Details

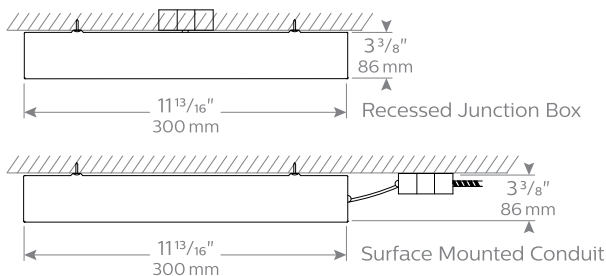


Lens View



### Mounting

#### S1 Surface Mount (Standard Mounting)



### Housing

Die-formed, post painted, 22 gauge cold-rolled steel. Wire entrance with additional knock-out available on top side for electrical connections.

### Weight

Maximum: 2x2 = 24lb, 1x4 = 28lb, 2x4 = 38lb

### Optical System

The optical frame assembly consists of integrated LED arrays edgelighting a light guide panel in order to deliver uniform controlled light through a lower lens. The optical frame ends are constructed from die-formed cold-rolled steel, assembled together with extruded aluminum profiles in a sturdy frame. The frame is hinged (side marked) to allow easy access to the inside of the fixture. Maintenance can be performed from below the ceiling

### Standard Driver

0-10V Dimming – 5-100%. Output is class 2 rated, contact factory for other options.

### Lumen Maintenance

At an ambient temperature of 25°C, the LED lumen maintenance expectation is L<sub>70</sub> (9k) > 54 kh. Reported according to IES TM-21 Addendum A methodology (9k LM-80 test duration)

### Mounting

**Recessed:** Fixtures can be fastened directly to the T-bar grid and/or tied-off to the building structure.

**Surface:** Fixtures can be mounted over recessed junction box and side entry also available.

### Electrical

Factory pre-wired with driver safety disconnect.

### Wiring

**Recessed:** Optional flex whips are supplied in 6' lengths.

**Surface:** Standard wiring configurations available.

### Approvals

Certified to UL, CSA, DLC & IES Standards. City of Chicago Approved CCEA (housing option C).

### Finish

Housing and Frame painted, high quality, powder coated matte white only.

### Environment

Rated for dry & damp locations in operating in ambient temperatures of 25°C. Certain luminaire components may be adversely affected by contaminants. Damage caused by sulfur, chlorine, petroleum based solutions or other contaminants are not covered under warranty.

Due to continuing product improvements, Philips Ledalite reserves the right to change the specifications without notice.



© 2014 Koninklijke Philips N.V. All rights reserved. Specifications are subject to change without notice. [www.philips.com/luminaires](http://www.philips.com/luminaires)

VrsFrmSurf1x4\_8-40K30lm 03.17 page 3 of 3

Philips Lighting  
North America Corporation  
200 Franklin Square Drive  
Somerset, NJ 08873  
Phone: 855-486-2216

Philips Lighting Company  
281 Hillmount Road  
Markham ON, Canada L6C  
2S3  
Phone: 800-668-900