

# Unlock your vision

## VERSAFORM SURFACE 1'X4' LED



DIRECT, BEAM SHAPING LIGHT GUIDE WITH STEPPED  
DIFFUSER  
1'x4', 3000 lm 3500K

**Project:**

---

**Spec Type:**

---

**Catalog No:** 4114SxxxL8BE

---

**Qty**

---

**Line Notes:**



### Ordering guide

Product Type	Version	Configuration	Light Source *	CRI/CCT	Lumens *	Housing	Wiring †	Voltage	Driver
4114		ST	L	8B	E				
VersaForm Surface 1'x4' LED	D1 Standard T Grid D2 Slot T Grid S1 Discrete Surface Mount	ST Standalone	L LED	8C CRI 80 3000K 8B CRI 80 3500K 8A CRI 80 4000K 9B CRI 90 3500K	E 3000 lm D 4000 lm	S Standard C Chicago Plenum	1 1 cct 5 1 cct + EM Batt. Pack 7 1 cct Dimming N 1 cct Dimming + EM Batt. Pack T 1 cct Step Dimming	1 120V 2 277V 3 347V	E Philips Advance

\* Nominal values within a range. Consult photometry data for exact color temp, lumens & distribution.

† Not all wiring types are available with all configurations. Consult Philips Ledalite for a complete list of available options.

**Integrated Controls** Please indicate with check mark.

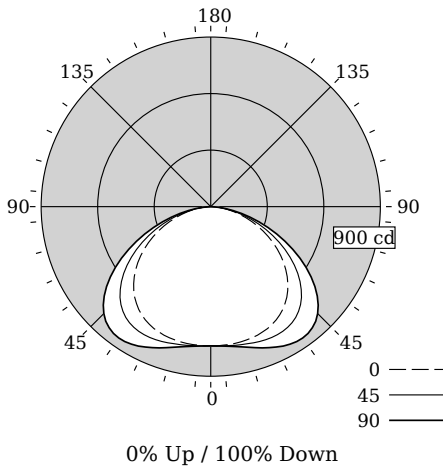
No Options Available



# VERSAFORM SURFACE 1'X4' LED

DIRECT, BEAM SHAPING LIGHT GUIDE WITH STEPPED DIFFUSER

## Photometry



<b>Total Output</b>	<b>2735 lm</b>
<b>Efficacy</b>	<b>102.1 lm/W</b>
<b>CCT</b>	<b>3328K</b>
<b>CRI</b>	<b>82</b>
<b>Distribution</b>	<b>0% Up / 100% Down</b>
<b>Spacing Criteria (0/90°)</b>	<b>1.39/1.70</b>

Fixture photometry has been conducted in accordance with IESNA LM-79-08

IES files for this and other photometric options can be downloaded online at [www.lightingproducts.philips.com](http://www.lightingproducts.philips.com)

## Candela Distribution

Vertical Angle	Horizontal Angle				Zonal Lumens
	0	22.5	45	67.5	
0	739	739	739	739	0
5	738	737	742	744	71
15	732	737	753	768	214
25	714	725	766	806	354
35	666	687	752	822	472
45	578	604	681	765	527
55	453	476	542	616	487
65	307	321	363	411	363
75	160	166	185	206	198
85	42	41	43	43	50
90	0	0	0	0	0
95	0	0	0	0	0
105	0	0	0	0	0
115	0	0	0	0	0
125	0	0	0	0	0
135	0	0	0	0	0
145	0	0	0	0	0
155	0	0	0	0	0
165	0	0	0	0	0
175	0	0	0	0	0
180	0	0	0	0	0

## Coefficients of Utilization (%)

RCR	Ceiling/Wall											
	70			80			70			50		
0	119	119	119	119	116	116	116	111	111	111	100	
1	108	103	99	95	106	101	97	97	94	91	83	
2	98	90	83	77	95	88	81	84	79	74	68	
3	89	78	70	63	87	77	69	73	67	61	57	
4	81	69	60	53	79	67	59	65	57	52	48	
5	74	61	52	45	72	60	51	58	50	44	41	
6	68	55	45	39	66	54	45	52	44	38	35	
7	63	49	40	34	61	48	40	47	39	33	31	
8	59	45	36	30	57	44	36	43	35	30	27	
9	55	41	32	27	53	40	32	39	32	26	24	
10	51	38	29	24	50	37	29	36	29	24	22	

## Avg. Luminance (cd/m<sup>2</sup>)

Vertical Angle	Horizontal Angle		
	0	45	90
55	2691	3216	3859
65	2472	2923	3501
75	2110	2429	2846
85	1640	1676	1567

## Electrical Specifications

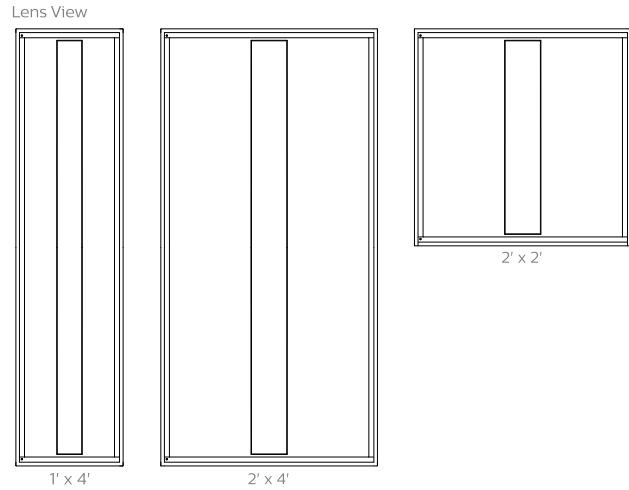
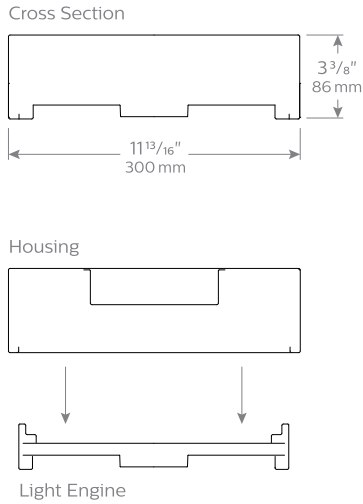
<b>Input Voltage</b>	<b>120V</b>	<b>277V</b>
<b>Input Power</b>	<b>26.8W</b>	<b>26.3W</b>
<b>Input Current</b>	<b>0.22A</b>	<b>0.10A</b>
<b>Power Factor</b>	<b>0.996</b>	<b>0.944</b>
<b>Total Harm. Distortion</b>	<b>6.9%</b>	<b>13.1%</b>

Tested values – contact technical support for rated values.  
Off-state power zero unless certain controls are specified.

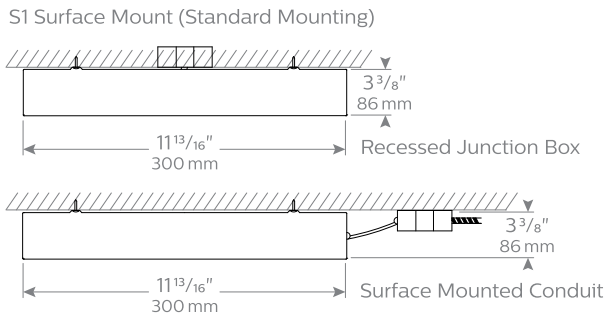
# VERSAFORM SURFACE 1'X4' LED

## DIRECT, BEAM SHAPING LIGHT GUIDE WITH STEPPED DIFFUSER

### Options and Details



### Mounting



### Housing

Die-formed, post painted, 22 gauge cold-rolled steel. Wire entrance with additional knock-out available on top side for electrical connections.

### Weight

Maximum: 2x2 = 24lb, 1x4 = 28lb, 2x4 = 38lb

### Optical System

The optical frame assembly consists of integrated LED arrays edgelighting a light guide panel in order to deliver uniform controlled light through a lower lens. The optical frame ends are constructed from die-formed cold-rolled steel, assembled together with extruded aluminum profiles in a sturdy frame. The frame is hinged (side marked) to allow easy access to the inside of the fixture. Maintenance can be performed from below the ceiling

### Standard Driver

0-10V Dimming – 5-100%. Output is class 2 rated, contact factory for other options.

### Lumen Maintenance

At an ambient temperature of 25°C, the LED lumen maintenance expectation is L<sub>70</sub> (9k) > 54 kh. Reported according to IES TM-21 Addendum A methodology (9k LM-80 test duration)

### Mounting

**Recessed:** Fixtures can be fastened directly to the T-bar grid and/or tied-off to the building structure.  
**Surface:** Fixtures can be mounted over recessed junction box and side entry also available.

### Electrical

Factory pre-wired with driver safety disconnect.

### Wiring

**Recessed:** Optional flex whips are supplied in 6' lengths.  
**Surface:** Standard wiring configurations available.

### Approvals

Certified to UL, CSA, DLC & IES Standards. City of Chicago Approved CCEA (housing option C).

### Finish

Housing and Frame painted, high quality, powder coated matte white only.

### Environment

Rated for dry & damp locations in operating in ambient temperatures of 25°C. Certain luminaire components may be adversely affected by contaminants. Damage caused by sulfur, chlorine, petroleum based solutions or other contaminants are not covered under warranty.

Due to continuing product improvements, Philips Ledalite reserves the right to change the specifications without notice.



© 2014 Koninklijke Philips N.V. All rights reserved. Specifications are subject to change without notice. [www.philips.com/luminaires](http://www.philips.com/luminaires)

VrsFrmSurf1x4\_8-35K30lm 03.17 page 3 of 3

Philips Lighting  
North America Corporation  
200 Franklin Square Drive  
Somerset, NJ 08873  
Phone: 855-486-2216

Philips Lighting Company  
281 Hillmount Road  
Markham ON, Canada L6C  
2S3  
Phone: 800-668-900