

Unlock your vision

VERSAFORM SURFACE 1'X4' LED



DIRECT, BEAM SHAPING LIGHT GUIDE WITH STEPPED
DIFFUSER
1'x4', 3000 lm 3000K

Project:

Spec Type:

Catalog No: 4114SxxxL8CE

Qty

Line Notes:



Ordering guide

Product Type	Version	Configuration	Light Source *	CRI/CCT	Lumens *	Housing	Wiring †	Voltage	Driver
4114		ST	L	8C	E				
VersaForm Surface 1'x4' LED	D1 Standard T Grid D2 Slot T Grid S1 Discrete Surface Mount	ST Standalone	L LED	8C CRI 80 3000K 8B CRI 80 3500K 8A CRI 80 4000K 9B CRI 90 3500K	E 3000 lm D 4000 lm	S Standard C Chicago Plenum	1 1 cct 5 1 cct + EM Batt. Pack 7 1 cct Dimming N 1 cct Dimming + EM Batt. Pack T 1 cct Step Dimming	1 120V 2 277V 3 347V	E Philips Advance

* Nominal values within a range. Consult photometry data for exact color temp, lumens & distribution.

† Not all wiring types are available with all configurations. Consult Philips Ledalite for a complete list of available options.

Integrated Controls Please indicate with check mark.

No Options Available

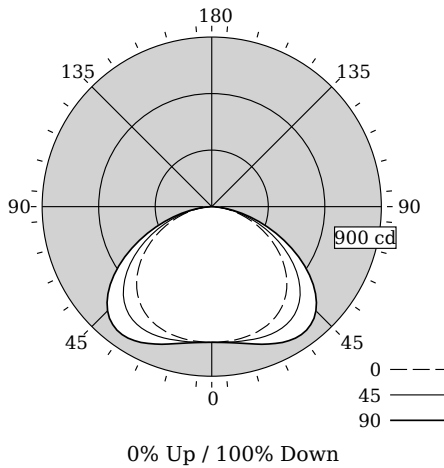


VERSAFORM

SURFACE 1'X4' LED

DIRECT, BEAM SHAPING LIGHT GUIDE WITH STEPPED DIFFUSER

Photometry



Total Output	2665 lm
Efficacy	99.4 lm/W
CCT	2967K
CRI	81
Distribution	0% Up / 100% Down
Spacing Criteria (0/90°)	1.39/1.70

Fixture photometry has been conducted in accordance with IESNA LM-79-08

IES files for this and other photometric options can be downloaded online at www.lightingproducts.philips.com

Candela Distribution

Vertical Angle	Horizontal Angle				Zonal Lumens
	0	22.5	45	67.5	
0	720	720	720	720	0
5	719	718	723	724	69
15	714	718	734	748	208
25	695	706	746	785	345
35	649	669	733	801	460
45	564	588	664	745	513
55	442	464	528	600	474
65	299	313	354	400	353
75	156	162	180	201	193
85	41	40	42	42	49
90	0	0	0	0	0
95	0	0	0	0	0
105	0	0	0	0	0
115	0	0	0	0	0
125	0	0	0	0	0
135	0	0	0	0	0
145	0	0	0	0	0
155	0	0	0	0	0
165	0	0	0	0	0
175	0	0	0	0	0
180	0	0	0	0	0

Coefficients of Utilization (%)

RCR	Ceiling		80		70		50		0		
	Wall	70	50	30	10	70	50	30	10	0	
0	119	119	119	119	116	116	116	111	111	111	100
1	108	103	99	95	106	101	97	97	94	91	83
2	98	90	83	77	95	88	81	84	79	74	68
3	89	78	70	63	87	77	69	73	67	61	57
4	81	69	60	53	79	67	59	65	57	52	48
5	74	61	52	45	72	60	51	58	50	44	41
6	68	55	45	39	66	54	45	52	44	38	35
7	63	49	40	34	61	48	40	47	39	33	31
8	59	45	36	30	57	44	36	43	35	30	27
9	55	41	32	27	53	40	32	39	32	26	24
10	51	38	29	24	50	37	29	36	29	24	22

Avg. Luminance (cd/m²)

Vertical Angle	Horizontal Angle		
	0	45	90
55	2621	3134	3759
65	2408	2848	3411
75	2056	2367	2773
85	1597	1633	1526

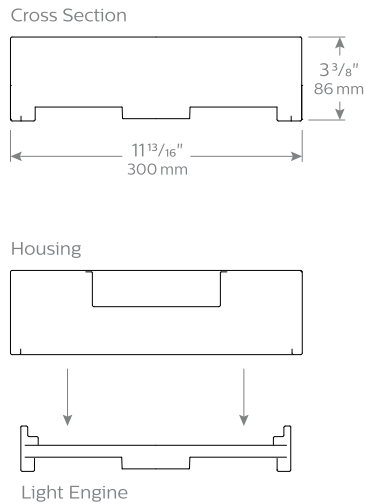
Electrical Specifications

Input Voltage	120V	277V
Input Power	26.8W	26.3W
Input Current	0.22A	0.10A
Power Factor	0.996	0.944
Total Harm. Distortion	6.9%	13.1%
Tested values – contact technical support for rated values. Off-state power zero unless certain controls are specified.		

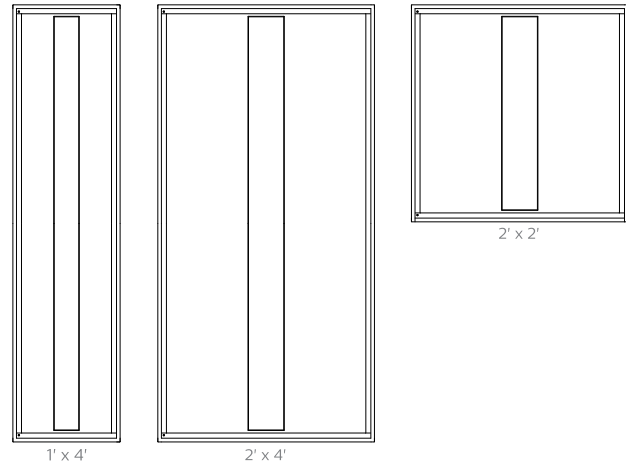
VERSAFORM SURFACE 1'X4' LED

DIRECT, BEAM SHAPING LIGHT GUIDE WITH STEPPED DIFFUSER

Options and Details

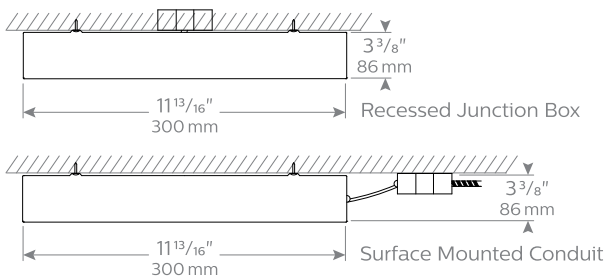


Lens View



Mounting

S1 Surface Mount (Standard Mounting)



Housing

Die-formed, post painted, 22 gauge cold-rolled steel. Wire entrance with additional knock-out available on top side for electrical connections.

Weight

Maximum: 2x2 = 24lb, 1x4 = 28lb, 2x4 = 38lb

Optical System

The optical frame assembly consists of integrated LED arrays edgelighting a light guide panel in order to deliver uniform controlled light through a lower lens. The optical frame ends are constructed from die-formed cold-rolled steel, assembled together with extruded aluminum profiles in a sturdy frame. The frame is hinged (side marked) to allow easy access to the inside of the fixture. Maintenance can be performed from below the ceiling

Standard Driver

0-10V Dimming – 5-100%. Output is class 2 rated, contact factory for other options.

Lumen Maintenance

At an ambient temperature of 25°C, the LED lumen maintenance expectation is $L_{70}(9k) > 54$ kh. Reported according to IES TM-21 Addendum A methodology (9k LM-80 test duration)

Mounting

Recessed: Fixtures can be fastened directly to the T-bar grid and/or tied-off to the building structure.
Surface: Fixtures can be mounted over recessed junction box and side entry also available.

Electrical

Factory pre-wired with driver safety disconnect.

Wiring

Recessed: Optional flex whips are supplied in 6' lengths.
Surface: Standard wiring configurations available.

Approvals

Certified to UL, CSA, DLC & IES Standards. City of Chicago Approved CCEA (housing option C).

Finish

Housing and Frame painted, high quality, powder coated matte white only.

Environment

Rated for dry & damp locations in operating in ambient temperatures of 25°C. Certain luminaire components may be adversely affected by contaminants. Damage caused by sulfur, chlorine, petroleum based solutions or other contaminants are not covered under warranty.

Due to continuing product improvements, Philips Ledalite reserves the right to change the specifications without notice.



© 2014 Koninklijke Philips N.V. All rights reserved. Specifications are subject to change without notice. www.philips.com/luminaires

VrsFrmSurf1x4_8-30K30lm 03.17 page 3 of 3

Philips Lighting
North America Corporation
200 Franklin Square Drive
Somerset, NJ 08873
Phone: 855-486-2216

Philips Lighting Company
281 Hillmount Road
Markham ON, Canada L6C
2S3
Phone: 800-668-900