

Voice™

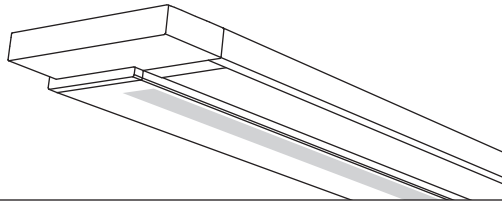


Project Name

Spec Type

Notes

Wall
Direct/Indirect
2 T5



Order Guide

Some combinations of product options may not be available. Consult factory for assistance with your specification.

7328	F02			-		-		-	
Product Series & Type Voice Wall Direct/Indirect	Lamping 2 T5	Lower Optics I Slot Perf	Upper Optics N Standard G 20% Up / 80% Down J 100% Down	Run Length <i>Enter the total run length in feet (4ft increments)</i>	Wiring 1 1 cct 2 2 cct 3 1 cct w/ Emergency cct 4 2 cct w/ Emergency cct 5 1 cct w/ Battery Pack 6 2 cct w/ Battery Pack 7 1 cct Dimming	Voltage 1 120V 2 277V 3 347V	Ballast E Standard Ballast	Color & Finish W Standard White	
				See details on reverse	Consult website for complete list of standard wiring options		Consult website for ballast manufacturer information		

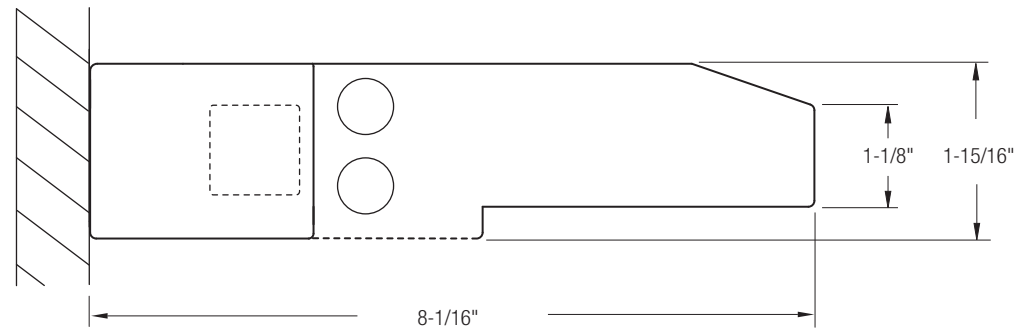
Upgrades & Accessories

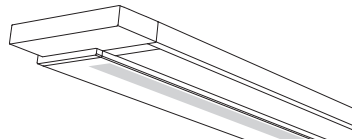
Please indicate with check mark.

Lamps Included

Lamps Included and Installed

Dust Cover
Available with upper optics option N (options G & J include integral dust cover)





Photometry Optics IN Standard

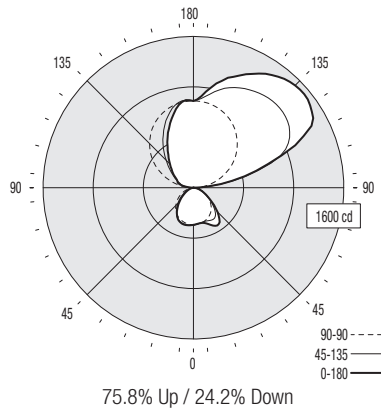
Report Summary

Efficiency 83.3% **Report #** 9900815
Peak Candela Value* 1539 @ 130° **Filename** 7328F02IN.ies
Peak to Zenith Ratio* 1.7 : 1 *** Between 90-180° vertical angle**

Meets RP-1-04 recommendations for VDT-Intensive spaces

Candela Distribution

Vertical Angle	Horizontal Angle					Zonal Lumens
	0	22.5	45	67.5	90	
0	393	393	393	393	393	
5	386	387	391	397	399	22
15	385	376	379	395	402	92
25	434	384	356	374	378	160
35	469	392	320	316	307	214
45	362	316	265	234	211	221
55	213	206	200	153	125	179
65	121	113	134	81	68	122
75	59	49	65	31	25	65
85	9	6	11	2	1	17
90	0	0	0	0	0	
95	151	182	87	53	52	64
105	692	720	233	137	158	332
115	1293	1114	387	201	193	560
125	1516	1224	537	290	265	652
135	1530	1247	660	408	352	641
145	1455	1221	764	564	477	577
155	1325	1165	840	724	642	463
165	1170	1071	891	871	810	314
175	972	947	916	928	930	141
180	917	917	917	917	917	



Coefficients of Utilization (%)

Ceiling: Wall:	80				70				50				0				
	70	50	30	10	70	50	30	10	50	30	10	0	70	50	30	10	0
0 RCR	83	83	83	83	74	74	74	56	56	56	18						
1	76	73	70	67	67	65	62	49	48	46	16						
2	69	64	59	55	61	56	53	43	41	38	13						
3	63	56	50	45	56	50	45	38	35	32	11						
4	58	49	43	38	51	44	39	34	30	27	10						
5	53	44	37	33	47	39	33	30	26	23	8						
6	48	39	33	28	43	35	29	27	23	20	7						
7	45	35	29	24	39	31	26	24	20	18	6						
8	41	32	25	21	36	28	23	22	18	15	6						
9	38	29	23	19	34	26	20	20	16	14	5						
10	36	26	20	16	32	23	18	18	15	12	4						

Based on a floor reflectance of 0.2

Avg. Luminance (cd/m²)

Vertical Angle	Horizontal Angle		
	0	45	90
55	2465	2314	1446
65	1900	2104	1068
75	1513	1667	641
85	685	838	76

IES files for this and other photometric options can be downloaded online at www.ledalite.com

Additional Information

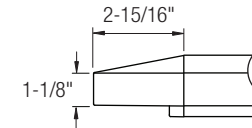
Modules

Module length excludes endcaps.
Nominal mount spacing for individually mounted modules.

Module	Mount Spacing
4ft	3' 11"
8ft	7' 9"

Refer to installation instructions for exact mount spacing

Endcap



Mounting Hardware

- Mounts can be positioned anywhere along fixture length.
- Maximum distance between mounts is 48". **Note:** Fixture is flush with wall.
- Side-mounted 4" x 2-1/2" utility box (supplied by others).

Specifications

Due to continuing product improvements, Ledalite reserves the right to change specifications without notice.

Housing

18 gauge die-formed cold-rolled steel, precision formed and welded.

Weight

Maximum 5.5 lb/ft.

Optical System

Optical frame is constructed from 20 gauge die-formed cold-rolled steel. The optical lens assembly consists of a flat acrylic panel with a layer of protected MesoOptics® film that provides high-angle glare control and high efficiency and produces a direct/indirect asymmetric distribution. No hardware is visible. Standard distribution is direct/indirect. Also available in 20% up/80% down and 100% down distributions.

Endcaps

Sculptured die-cast endcaps.

Joints

Self-aligning joining system with hands-free pre-joining wire access.

Mounting

Fixture is mounted flush to wall using hidden wall brackets. Brackets attach to existing structure, variable within 12" of end or joint. Brackets provide independent tilt and lock adjustment for fixture leveling.

Electrical

Factory pre-wired to section ends with quick-wire connectors.

Ballast

Electronic.

Approvals

Certified to UL and CSA standards.

Finish

High-quality powder coat. Available in Ledalite Standard White only (textured matte finish).