

# Voice™



Project Name

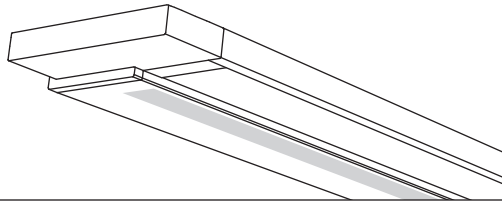
Spec Type

Notes

Wall

Direct/Indirect

1 T8



## Order Guide

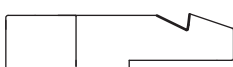
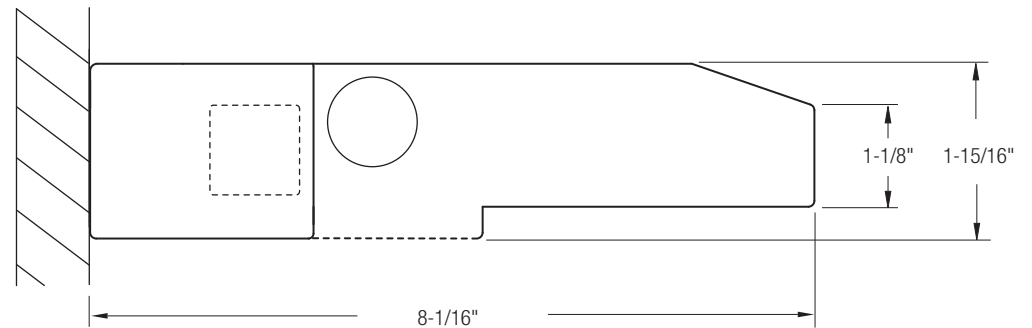
Some combinations of product options may not be available. Consult factory for assistance with your specification.

7328	T01			-		-		-		-	
<b>Product Series &amp; Type</b> Voice Wall Direct/Indirect	<b>Lamping</b> 1 T8	<b>Lower Optics</b> I Slot Perf	<b>Upper Optics</b> N Standard G 20% Up / 80% Down J 100% Down	<b>Run Length</b> <i>Enter the total run length in feet (4ft increments)</i>	<b>Wiring</b> 1 1 cct 3 1 cct w/ Emergency cct 5 1 cct w/ Battery Pack 7 1 cct Dimming	<b>Voltage</b> 1 120V 2 277V 3 347V	<b>Ballast</b> E Standard Ballast	<b>Color &amp; Finish</b> W Standard White			
				See details on reverse	Consult website for complete list of standard wiring options			Consult website for ballast manufacturer information			

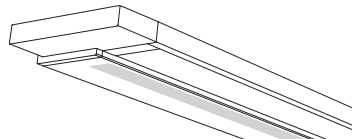
## Upgrades & Accessories

Please indicate with check mark.

<input type="checkbox"/> Lamps Included	<input type="checkbox"/> Lamps Included and Installed
	<input type="checkbox"/> Dust Cover Available with upper optics option N (options G & J include integral dust cover)

Wall  
Direct/Indirect  
1 TB



Photometry Optics IJ 100% Down

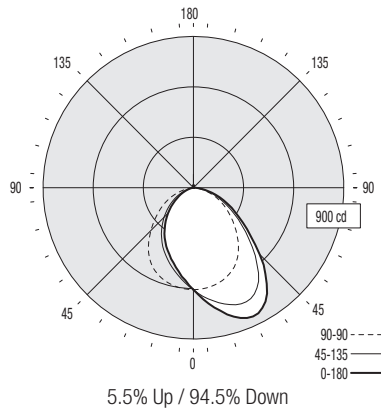
Report Summary

Efficiency 54.1% Report # 9900823  
Peak Candela Value\* N/A Filename 7328T01IJ.ies  
Peak to Zenith Ratio\* N/A : 1 \* Between 90-180° vertical angle

Meets RP-1-04 recommendations for VDT-Normal spaces

Candela Distribution

Vertical Angle	Horizontal Angle					Zonal Lumens
	0	22.5	45	67.5	90	
0	607	607	607	607	607	
5	666	649	604	568	553	34
15	781	716	586	491	462	144
25	845	749	545	416	385	247
35	769	680	469	335	300	310
45	560	498	361	250	215	302
55	360	328	257	167	134	244
65	224	194	166	92	71	171
75	114	95	77	32	22	93
85	28	22	11	1	0	29
90	0	0	0	0	0	
95	1	1	1	2	2	0
105	1	2	3	2	2	1
115	2	2	5	3	3	4
125	2	2	7	4	4	4
135	3	3	9	5	4	4
145	4	4	12	6	6	4
155	4	5	14	7	7	4
165	6	8	16	7	7	4
175	11	13	17	13	10	1
180	18	18	18	18	18	



Coefficients of Utilization (%)

Ceiling: Wall:	80				70				50				0			
	70	50	30	10	70	50	30	10	50	30	10	0	70	50	30	10
0 RCR	64	64	64	64	62	62	62	59	59	59	53					
1	59	56	54	53	57	55	53	53	51	50	45					
2	54	50	46	44	52	49	46	47	44	42	39					
3	49	44	40	37	48	43	39	41	38	36	33					
4	45	39	35	31	44	38	34	37	33	31	28					
5	42	35	31	27	41	35	30	33	30	27	25					
6	39	32	27	24	38	31	27	30	26	23	22					
7	36	29	24	21	35	28	24	28	24	21	19					
8	33	26	22	19	33	26	22	25	21	19	17					
9	31	24	20	17	30	24	20	23	19	17	16					
10	29	22	18	15	29	22	18	21	18	15	14					

Based on a floor reflectance of 0.2

Avg. Luminance (cd/m²)

Vertical Angle	Horizontal Angle		
	0	45	90
55	4020	2870	1496
65	3395	2516	1076
75	2821	1905	544
85	2058	808	0

IES files for this and other photometric options can be downloaded online at [www.ledalite.com](http://www.ledalite.com)

Additional Information

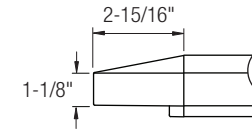
Modules

Module length excludes endcaps.  
Nominal mount spacing for individually mounted modules.

Module	Mount Spacing
4ft	4' 0"
8ft	8' 0"

Refer to installation instructions for exact mount spacing

Endcap



Mounting Hardware

- Mounts can be positioned anywhere along fixture length.
- Maximum distance between mounts is 48". **Note:** Fixture is flush with wall.
- Side-mounted 4" x 2-1/2" utility box (supplied by others).

Specifications

Due to continuing product improvements, Ledalite reserves the right to change specifications without notice.

Housing

18 gauge die-formed cold-rolled steel, precision formed and welded.

Weight

Maximum 5.5 lb/ft.

Optical System

Optical frame is constructed from 20 gauge die-formed cold-rolled steel. The optical lens assembly consists of a flat acrylic panel with a layer of protected MesoOptics® film that provides high-angle glare control and high efficiency and produces a direct/indirect asymmetric distribution. No hardware is visible. Standard distribution is direct/indirect. Also available in 20% up/80% down and 100% down distributions.

Endcaps

Sculptured die-cast endcaps.

Joints

Self-aligning joining system with hands-free pre-joining wire access.

Mounting

Fixture is mounted flush to wall using hidden wall brackets. Brackets attach to existing structure, variable within 12" of end or joint. Brackets provide independent tilt and lock adjustment for fixture leveling.

Electrical

Factory pre-wired to section ends with quick-wire connectors.

Ballast

Electronic.

Approvals

Certified to UL and CSA standards.

Finish

High-quality powder coat. Available in Ledalite Standard White only (textured matte finish).