

Voice™



Project Name

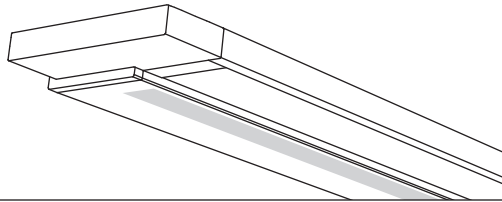
Spec Type

Notes

Wall

Direct/Indirect

1 T8



Order Guide

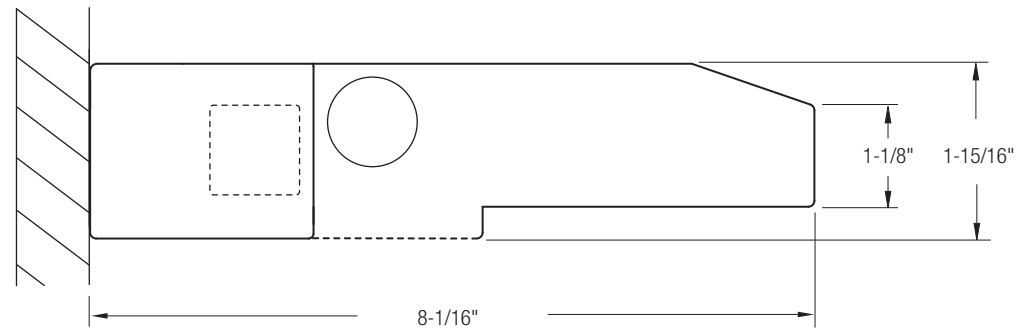
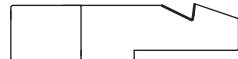
Some combinations of product options may not be available. Consult factory for assistance with your specification.

| 7328 | T01 | | | - | | - | | - | | - | |
|----------------------------------------------------------------|------------------------|------------------------------------|-------------------------------------------------------------------------|---------------------------------------------------------------------------------|----------------------------------------------------------------------------------------------------|----------------------------------------------|------------------------------------------------------|-----------------------------------------------|--|---|--|
| Product Series & Type Voice Wall Direct/Indirect | Lamping 1 T8 | Lower Optics I Slot Perf | Upper Optics N Standard G 20% Up / 80% Down J 100% Down | Run Length <i>Enter the total run length in feet (4ft increments)</i> | Wiring 1 1 cct 3 1 cct w/ Emergency cct 5 1 cct w/ Battery Pack 7 1 cct Dimming | Voltage 1 120V 2 277V 3 347V | Ballast E Standard Ballast | Color & Finish W Standard White | | | |
| | | | | See details on reverse | Consult website for complete list of standard wiring options | | Consult website for ballast manufacturer information | | | | |

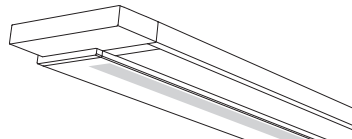
Upgrades & Accessories

Please indicate with check mark.

| | |
|-----------------------------------------|-------------------------------------------------------------------------------------------------------------------------|
| <input type="checkbox"/> Lamps Included | <input type="checkbox"/> Lamps Included and Installed |
| | <input type="checkbox"/> Dust Cover Available with upper optics option N (options G & J include integral dust cover) |



Wall
Direct/Indirect
1 TB



Photometry Optics IG 20% Up / 80% Down

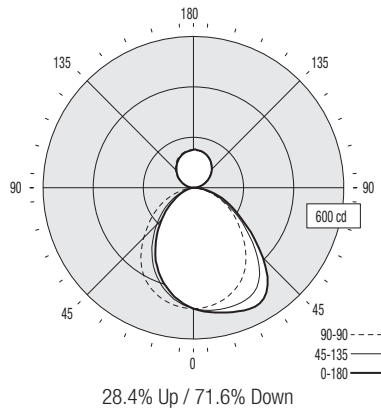
Report Summary

Efficiency 54.7% Report # 9900822
 Peak Candela Value* 153 @ 178° Filename 7328T01IG.ies
 Peak to Zenith Ratio* 1 : 1 * Between 90-180° vertical angle

Meets RP-1-04 recommendations for VDT-Intensive spaces

Candela Distribution

| Vertical Angle | Horizontal Angle | | | | | Zonal Lumens |
|----------------|------------------|------|-----|------|-----|--------------|
| | 0 | 22.5 | 45 | 67.5 | 90 | |
| 0 | 480 | 480 | 480 | 480 | 480 | |
| 5 | 493 | 488 | 477 | 467 | 462 | 27 |
| 15 | 513 | 495 | 460 | 425 | 409 | 110 |
| 25 | 530 | 492 | 425 | 365 | 343 | 183 |
| 35 | 508 | 454 | 364 | 290 | 261 | 229 |
| 45 | 392 | 350 | 281 | 207 | 180 | 226 |
| 55 | 253 | 236 | 202 | 137 | 109 | 184 |
| 65 | 160 | 141 | 131 | 72 | 57 | 129 |
| 75 | 84 | 70 | 61 | 26 | 20 | 71 |
| 85 | 22 | 18 | 9 | 1 | 0 | 23 |
| 90 | 0 | 0 | 0 | 0 | 0 | |
| 95 | 12 | 11 | 9 | 9 | 8 | 5 |
| 105 | 34 | 33 | 32 | 29 | 29 | 27 |
| 115 | 57 | 57 | 56 | 53 | 52 | 50 |
| 125 | 82 | 81 | 80 | 77 | 76 | 68 |
| 135 | 104 | 103 | 101 | 98 | 95 | 76 |
| 145 | 122 | 122 | 121 | 117 | 115 | 76 |
| 155 | 137 | 136 | 136 | 132 | 131 | 66 |
| 165 | 146 | 146 | 146 | 143 | 142 | 47 |
| 175 | 150 | 151 | 151 | 148 | 148 | 23 |
| 180 | 151 | 151 | 151 | 151 | 151 | |



Coefficients of Utilization (%)

| Ceiling: Wall: | 80 | | | | 70 | | | | 50 | | | | 0 | | | | |
|-------------------|----|----|----|----|----|----|----|----|----|----|----|---|----|----|----|----|---|
| | 70 | 50 | 30 | 10 | 70 | 50 | 30 | 10 | 50 | 30 | 10 | 0 | 70 | 50 | 30 | 10 | 0 |
| 0 RCR | 61 | 61 | 61 | 61 | 58 | 58 | 58 | 52 | 52 | 52 | 40 | | | | | | |
| 1 | 56 | 54 | 52 | 50 | 53 | 51 | 49 | 46 | 45 | 44 | 34 | | | | | | |
| 2 | 51 | 47 | 44 | 41 | 49 | 45 | 42 | 41 | 39 | 37 | 29 | | | | | | |
| 3 | 47 | 42 | 38 | 35 | 45 | 40 | 36 | 36 | 33 | 31 | 25 | | | | | | |
| 4 | 43 | 37 | 33 | 29 | 41 | 36 | 32 | 32 | 29 | 27 | 21 | | | | | | |
| 5 | 40 | 33 | 29 | 25 | 38 | 32 | 28 | 29 | 26 | 23 | 19 | | | | | | |
| 6 | 37 | 30 | 25 | 22 | 35 | 29 | 25 | 26 | 23 | 20 | 16 | | | | | | |
| 7 | 34 | 27 | 23 | 20 | 32 | 26 | 22 | 24 | 20 | 18 | 14 | | | | | | |
| 8 | 32 | 25 | 20 | 17 | 30 | 24 | 20 | 22 | 18 | 16 | 13 | | | | | | |
| 9 | 29 | 23 | 18 | 16 | 28 | 22 | 18 | 20 | 17 | 14 | 12 | | | | | | |
| 10 | 28 | 21 | 17 | 14 | 26 | 20 | 16 | 18 | 15 | 13 | 11 | | | | | | |

Based on a floor reflectance of 0.2

Avg. Luminance (cd/m²)

| Vertical Angle | Horizontal Angle | | |
|----------------|------------------|------|------|
| | 0 | 45 | 90 |
| 55 | 2825 | 2256 | 1217 |
| 65 | 2425 | 1985 | 864 |
| 75 | 2079 | 1510 | 495 |
| 85 | 1617 | 661 | 0 |

IES files for this and other photometric options can be downloaded online at www.ledalite.com

Additional Information

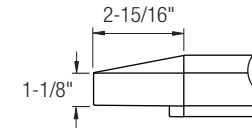
Modules

Module length excludes endcaps.
Nominal mount spacing for individually mounted modules.

| Module | Mount Spacing |
|--------|---------------|
| 4ft | 4' 0" |
| 8ft | 8' 0" |

Refer to installation instructions for exact mount spacing

Endcap



Mounting Hardware

- Mounts can be positioned anywhere along fixture length.
- Maximum distance between mounts is 48". **Note:** Fixture is flush with wall.
- Side-mounted 4" x 2-1/2" utility box (supplied by others).

Specifications

Due to continuing product improvements, Ledalite reserves the right to change specifications without notice.

Housing

18 gauge die-formed cold-rolled steel, precision formed and welded.

Weight

Maximum 5.5 lb/ft.

Optical System

Optical frame is constructed from 20 gauge die-formed cold-rolled steel. The optical lens assembly consists of a flat acrylic panel with a layer of protected MesoOptics® film that provides high-angle glare control and high efficiency and produces a direct/indirect asymmetric distribution. No hardware is visible. Standard distribution is direct/indirect. Also available in 20% up/80% down and 100% down distributions.

Endcaps

Sculptured die-cast endcaps.

Joints

Self-aligning joining system with hands-free pre-joining wire access.

Mounting

Fixture is mounted flush to wall using hidden wall brackets. Brackets attach to existing structure, variable within 12" of end or joint. Brackets provide independent tilt and lock adjustment for fixture leveling.

Electrical

Factory pre-wired to section ends with quick-wire connectors.

Ballast

Electronic.

Approvals

Certified to UL and CSA standards.

Finish

High-quality powder coat. Available in Ledalite Standard White only (textured matte finish).