

Voice™

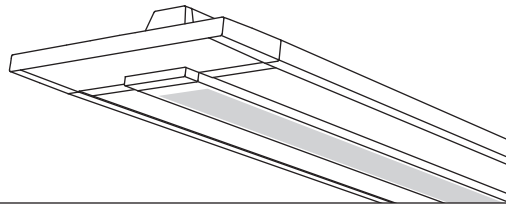


Project Name

Spec Type

Notes

Suspended
Direct/Indirect
3 T8



Order Guide

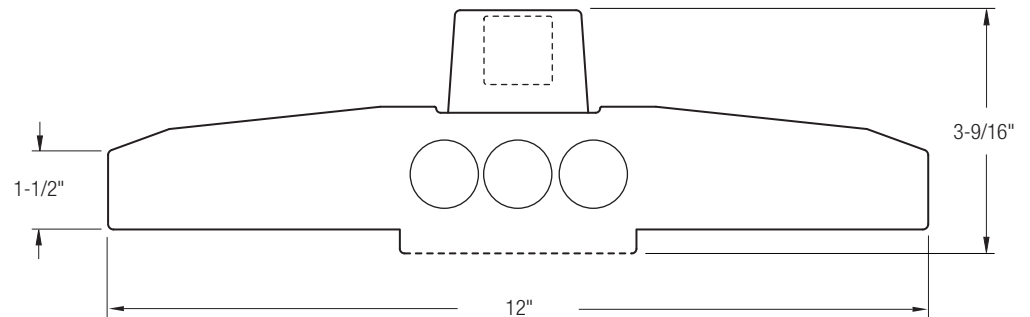
Some combinations of product options may not be available. Consult factory for assistance with your specification.

7306	T03			-		-		-		
Product Series & Type Voice Suspended Direct/ Indirect	Lamping 3 T8	Lower Optics I Slot Perf	Upper Optics N 60% Up / 40% Down G 20% Up / 80% Down J 100% Down	Run Length <i>Enter the total run length in feet (4ft increments)</i>	Wiring 1 1 cct 2 2 cct 3 1 cct w/ Emergency cct 4 2 cct w/ Emergency cct 5 1 cct w/ Battery Pack 6 2 cct w/ Battery Pack 7 1 cct Dimming	Voltage 1 120V 2 277V 3 347V	Ballast E Standard Ballast Consult website for ballast manufacturer information	Color & Finish W Standard White	Mounting Hardware	
				See details on reverse	Consult website for complete list of standard wiring options	Mount Type Consult separate mounting spec sheet for mount type options		Suspension Length <i>Enter distance from ceiling to top of fixture in inches</i>		

Upgrades & Accessories

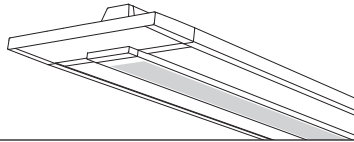
Please indicate with check mark.

<input type="checkbox"/> Lamps Included	<input type="checkbox"/> Lamps Included and Installed
<input type="checkbox"/> Flat Endcap See details on reverse	<input type="checkbox"/> Dust Cover Available with upper optics option N (options G & J include integral dust cover)
<input type="checkbox"/> Response Daylight (Integrated Controls) For details visit www.ledalite.com/response	



Voice™

Suspended
Direct/Indirect
3 T8



Photometry Optics IJ 100% Down

Report Summary

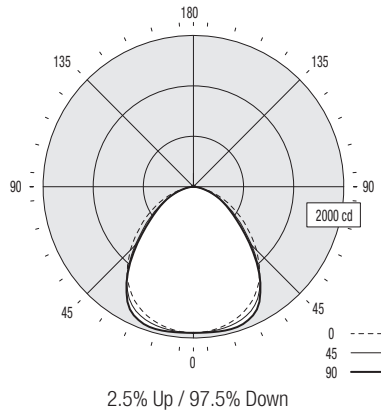
Efficiency 53.7%
Peak Candela Value* N/A
Peak to Zenith Ratio* N/A : 1

Report # 9900800
Filename 7306T03IJ.ies

* Between 90-180° vertical angle

Candela Distribution

Vertical Angle	Horizontal Angle					Zonal Lumens
	0	22.5	45	67.5	90	
0	1932	1932	1932	1932	1932	
5	1924	1926	1928	1933	1936	187
15	1863	1878	1902	1935	1948	539
25	1740	1769	1813	1869	1877	834
35	1524	1535	1548	1580	1553	964
45	1189	1160	1102	1083	1052	860
55	827	764	689	673	644	645
65	507	455	391	403	389	421
75	220	189	167	177	169	197
85	28	31	29	36	33	41
90	0	0	0	0	0	
95	5	6	8	10	10	8
105	7	10	10	11	12	12
115	7	11	14	17	18	12
125	7	10	15	19	19	12
135	8	9	14	17	18	11
145	8	9	12	15	17	8
155	8	8	10	14	15	5
165	7	7	7	8	8	3
175	6	6	6	6	6	0
180	6	6	6	6	6	



Coefficients of Utilization (%)

Ceiling: Walk:	80				70				50				0				
	70	50	30	10	70	50	30	10	50	30	10	0	70	50	30	10	0
0 RCR	63	63	63	63	62	62	62	59	59	59	53						
1	59	56	54	53	57	55	53	53	51	50	45						
2	54	50	47	44	52	49	46	47	44	42	39						
3	49	44	40	37	48	43	40	42	39	36	33						
4	45	40	35	32	44	39	35	37	34	31	29						
5	42	36	31	28	41	35	31	34	30	27	25						
6	39	32	28	24	38	32	27	31	27	24	22						
7	36	29	25	22	35	29	25	28	24	21	20						
8	34	27	22	19	33	26	22	26	22	19	18						
9	31	25	20	17	31	24	20	24	20	17	16						
10	29	23	19	16	29	22	18	22	18	16	15						

Based on a floor reflectance of 0.2

Avg. Luminance (cd/m²)

Vertical Angle	Horizontal Angle		
	0	45	90
55	4358	3631	3394
65	3626	2796	2782
75	2569	1950	1974
85	971	1006	1144

IES files for this and other photometric options can be downloaded online at www.ledalite.com

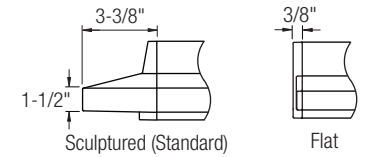
Additional Information

Modules

Module length excludes endcaps.
Nominal mount spacing for individually mounted modules.

Module	Mount Spacing
4ft	4' 0"
8ft	8' 0"

Endcap



Specifications

Due to continuing product improvements, Ledalite reserves the right to change specifications without notice.

Housing

18 gauge die-formed cold-rolled steel, precision formed and welded.

Weight

Maximum 5.5 lb/ft.

Optical System

Optical frame is constructed from 20 gauge die-formed cold-rolled steel. The optical lens assembly consists of flat acrylic panels with a layer of MesoOptics® film that provides high-angle glare control and high efficiency. The panels are secured to a perforated center basket using an acrylic lens. Optical door frame is secured to housing with safety straps. Frame can be removed from housing using a lift-and-shift mechanism. No hardware is visible. Standard distribution is 60% up/ 40% down. Also available in 20% up / 80% down and 100% down distributions.

Endcaps

Available with sculptured die-cast endcaps (standard) or flat die-cast endcaps (optional).

Joints

Self-aligning joining system with hands-free pre-joining wire access.

Mounting

Aircraft cable gripper is tamper-resistant and provides infinite vertical adjustment capability. Aircraft cable, crimp and cable gripper independently tested to meet stringent safety requirements. Continuous run mounting on T-bar grid is limited to 32ft runs, but is unlimited in other ceiling types.

Electrical

Factory pre-wired to section ends with quick-wire connectors.

Ballast

Electronic.

Approvals

Certified to UL and CSA standards.

Finish

High-quality powder coat. Available in Ledalite Standard White only (textured matte finish).