

Voice™

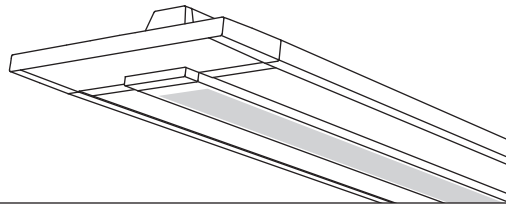


Project Name

Spec Type

Notes

Suspended
Direct/Indirect
3 T8



Order Guide

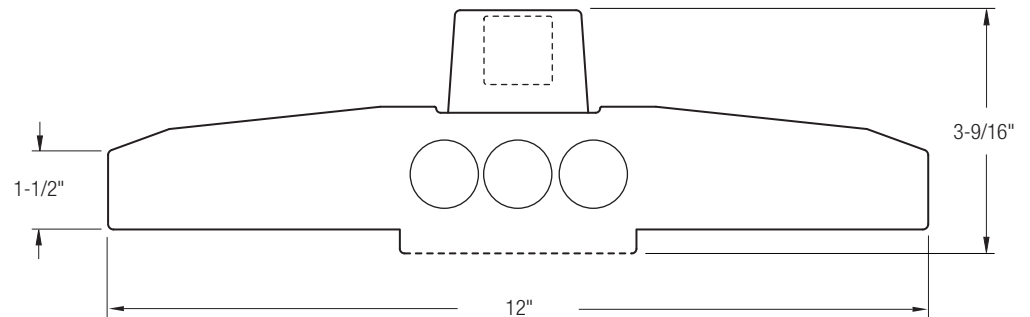
Some combinations of product options may not be available. Consult factory for assistance with your specification.

7306	T03			-		-		-						
Product Series & Type Voice Suspended Direct/ Indirect	Lamping 3 T8	Lower Optics I Slot Perf	Upper Optics N 60% Up / 40% Down G 20% Up / 80% Down J 100% Down	Run Length <i>Enter the total run length in feet (4ft increments)</i>	Wiring 1 1 cct 2 2 cct 3 1 cct w/ Emergency cct 4 2 cct w/ Emergency cct 5 1 cct w/ Battery Pack 6 2 cct w/ Battery Pack 7 1 cct Dimming	Voltage 1 120V 2 277V 3 347V	Ballast E Standard Ballast Consult website for ballast manufacturer information	Color & Finish W Standard White	Mounting Hardware					
				See details on reverse	Consult website for complete list of standard wiring options	Consult separate mounting spec sheet for mount type options	<table border="1"> <tr> <td><input type="text"/></td> <td><input type="text"/></td> </tr> <tr> <td>Mount Type</td> <td>Suspension Length <i>Enter distance from ceiling to top of fixture in inches</i></td> </tr> </table>				<input type="text"/>	<input type="text"/>	Mount Type	Suspension Length <i>Enter distance from ceiling to top of fixture in inches</i>
<input type="text"/>	<input type="text"/>													
Mount Type	Suspension Length <i>Enter distance from ceiling to top of fixture in inches</i>													

Upgrades & Accessories

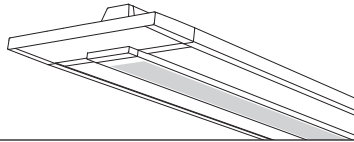
Please indicate with check mark.

<input type="checkbox"/> Lamps Included	<input type="checkbox"/> Lamps Included and Installed
<input type="checkbox"/> Flat Endcap See details on reverse	<input type="checkbox"/> Dust Cover Available with upper optics option N (options G & J include integral dust cover)
<input type="checkbox"/> Response Daylight (Integrated Controls) For details visit www.ledalite.com/response	



Voice™

Suspended
Direct/Indirect
3 T8



Photometry Optics IG 20% Up / 80% Down

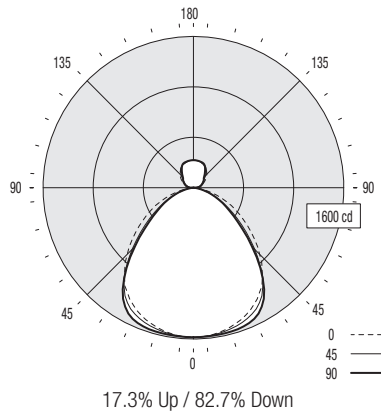
Report Summary

Efficiency 53.1%
Peak Candela Value* 291 @ 175°
Peak to Zenith Ratio* 1 : 1

Report # 9900801
Filename 7306T03IG.ies
* Between 90-180° vertical angle

Candela Distribution

Vertical Angle	Horizontal Angle					Zonal Lumens
	0	22.5	45	67.5	90	
0	1583	1583	1583	1583	1583	
5	1576	1576	1577	1579	1580	153
15	1525	1531	1544	1565	1573	438
25	1430	1440	1474	1515	1531	680
35	1271	1268	1286	1310	1313	802
45	996	977	924	908	882	722
55	705	652	570	542	523	534
65	444	383	309	309	296	340
75	194	154	122	128	119	153
85	26	21	11	13	9	24
90	0	0	0	0	0	
95	17	28	43	53	58	42
105	69	56	70	78	84	75
115	117	97	97	105	109	103
125	161	152	128	130	134	124
135	201	203	183	162	160	140
145	236	238	239	219	216	144
155	263	264	268	271	273	124
165	281	282	283	284	285	80
175	290	290	290	290	291	27
180	291	291	291	291	291	



Coefficients of Utilization (%)

Ceiling: Walk:	80				70				50				0
	70	50	30	10	70	50	30	10	50	30	10	0	0
0 RCR	61	61	61	61	58	58	58	53	53	53	43		
1	56	54	52	50	54	52	50	48	46	45	37		
2	51	47	44	42	49	46	43	42	40	38	32		
3	47	42	38	35	45	40	37	38	35	32	27		
4	43	37	33	30	41	36	32	34	30	28	24		
5	40	34	29	26	38	32	28	30	27	24	21		
6	37	30	26	23	35	29	25	27	24	21	18		
7	34	27	23	20	33	27	23	25	21	19	16		
8	32	25	21	18	30	24	20	23	19	17	15		
9	30	23	19	16	28	22	18	21	18	15	13		
10	28	21	17	15	27	21	17	19	16	14	12		

Based on a floor reflectance of 0.2

Avg. Luminance (cd/m²)

Vertical Angle	Horizontal Angle		
	0	45	90
55	3715	3004	2756
65	3175	2210	2117
75	2266	1425	1390
85	902	381	312

IES files for this and other photometric options can be downloaded online at www.ledalite.com

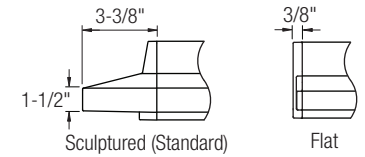
Additional Information

Modules

Module length excludes endcaps.
Nominal mount spacing for individually mounted modules.

Module	Mount Spacing
4ft	4' 0"
8ft	8' 0"

Endcap



Specifications

Due to continuing product improvements, Ledalite reserves the right to change specifications without notice.

Housing

18 gauge die-formed cold-rolled steel, precision formed and welded.

Weight

Maximum 5.5 lb/ft.

Optical System

Optical frame is constructed from 20 gauge die-formed cold-rolled steel. The optical lens assembly consists of flat acrylic panels with a layer of MesoOptics® film that provides high-angle glare control and high efficiency. The panels are secured to a perforated center basket using an acrylic lens. Optical door frame is secured to housing with safety straps. Frame can be removed from housing using a lift-and-shift mechanism. No hardware is visible. Standard distribution is 60% up/ 40% down. Also available in 20% up / 80% down and 100% down distributions.

Endcaps

Available with sculptured die-cast endcaps (standard) or flat die-cast endcaps (optional).

Joints

Self-aligning joining system with hands-free pre-joining wire access.

Mounting

Aircraft cable gripper is tamper-resistant and provides infinite vertical adjustment capability. Aircraft cable, crimp and cable gripper independently tested to meet stringent safety requirements. Continuous run mounting on T-bar grid is limited to 32ft runs, but is unlimited in other ceiling types.

Electrical

Factory pre-wired to section ends with quick-wire connectors.

Ballast

Electronic.

Approvals

Certified to UL and CSA standards.

Finish

High-quality powder coat. Available in Ledalite Standard White only (textured matte finish).