

# Voice™

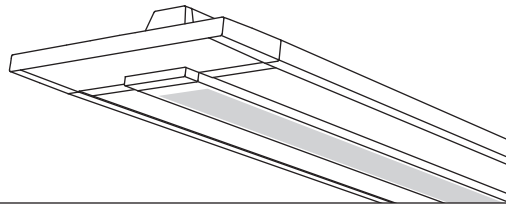


Project Name

Spec Type

Notes

Suspended  
Direct/Indirect  
3 T5



## Order Guide

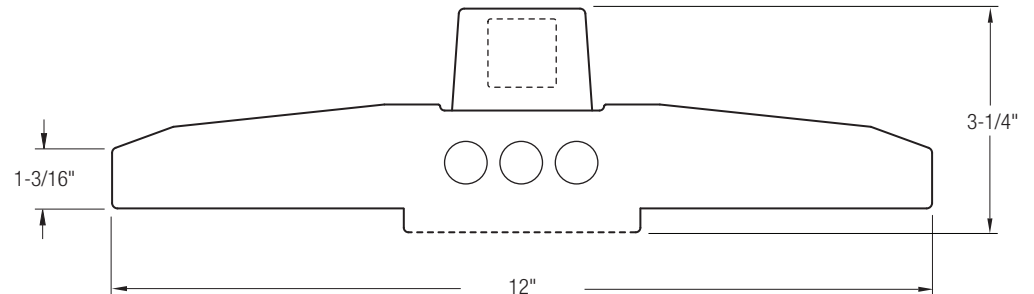
Some combinations of product options may not be available. Consult factory for assistance with your specification.

<b>7306</b>	<b>F03</b>			-		-		-	
<b>Product Series &amp; Type</b> Voice Suspended Direct/ Indirect	<b>Lamping</b> 3 T5	<b>Lower Optics</b> I Slot Perf	<b>Upper Optics</b> N 60% Up / 40% Down G 20% Up / 80% Down J 100% Down	<b>Run Length</b> Enter the total run length in feet (4ft increments)	<b>Wiring</b> 1 1 cct 2 2 cct 3 1 cct w/ Emergency cct 4 2 cct w/ Emergency cct 5 1 cct w/ Battery Pack 6 2 cct w/ Battery Pack 7 1 cct Dimming	<b>Voltage</b> 1 120V 2 277V 3 347V	<b>Ballast</b> E Standard Ballast  Consult website for ballast manufacturer information	<b>Color &amp; Finish</b> W Standard White	
<b>Mounting Hardware</b>									
<b>Mount Type</b> Consult separate mounting spec sheet for mount type options					<b>Suspension Length</b> Enter distance from ceiling to top of fixture in inches				

## Upgrades & Accessories

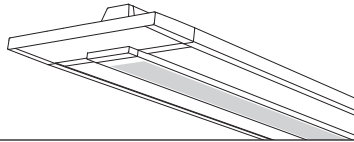
Please indicate with check mark.

<input type="checkbox"/> Lamps Included	<input type="checkbox"/> Lamps Included and Installed
<input type="checkbox"/> Flat Endcap See details on reverse	<input type="checkbox"/> Dust Cover Available with upper optics option N (options G & J include integral dust cover)
<input type="checkbox"/> Response Daylight (Integrated Controls) For details visit <a href="http://www.ledalite.com/response">www.ledalite.com/response</a>	



# Voice™

Suspended  
Direct/Indirect  
3 T5



**Photometry** Optics IN 60% Up / 40% Down

## Report Summary

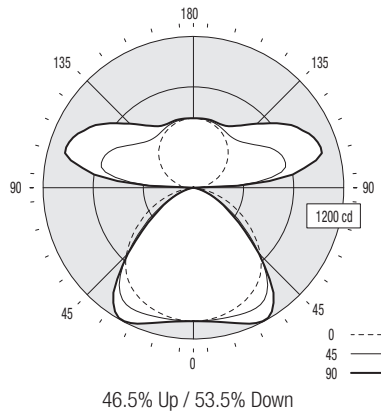
**Efficiency** 73.2%  
**Peak Candela Value\*** 1065 @ 108°  
**Peak to Zenith Ratio\*** 1.9 : 1

**Report #** 9900806  
**Filename** 7306F03IN.ies

\* Between 90-180° vertical angle

## Candela Distribution

Vertical Angle	Horizontal Angle					Zonal Lumens
	0	22.5	45	67.5	90	
0	1059	1059	1059	1059	1059	
5	1055	1057	1059	1063	1064	104
15	1030	1039	1065	1095	1108	303
25	985	1009	1079	1154	1185	499
35	903	939	1021	1098	1115	630
45	759	753	742	755	740	576
55	558	505	434	403	379	407
65	355	281	198	193	184	237
75	163	97	49	53	48	83
85	19	0	0	0	0	6
90	0	1	0	1	0	
95	92	306	506	562	610	421
105	144	424	761	986	1061	717
115	234	378	713	944	1017	659
125	318	375	594	815	881	536
135	392	416	521	667	719	419
145	454	467	504	570	600	326
155	501	509	525	539	550	244
165	533	536	544	551	554	153
175	549	549	551	552	552	54
180	551	551	551	551	551	



## Coefficients of Utilization (%)

Ceiling: Wall:	80				70				50				0				
	70	50	30	10	70	50	30	10	50	30	10	0	70	50	30	10	0
0 RCR	78	78	78	78	71	71	71	59	59	59	32						
1	71	68	66	63	65	63	61	52	51	49	28						
2	65	60	56	52	60	55	52	46	44	41	24						
3	60	53	48	44	55	49	44	41	38	35	21						
4	55	47	41	37	50	43	39	36	33	30	18						
5	50	42	36	32	46	39	34	33	29	26	16						
6	46	38	32	28	42	35	30	29	25	23	14						
7	43	34	28	24	39	31	26	27	23	20	12						
8	40	31	25	21	36	28	23	24	20	17	11						
9	37	28	23	19	34	26	21	22	18	16	10						
10	34	26	20	17	31	24	19	20	17	14	9						

Based on a floor reflectance of 0.2

## Avg. Luminance (cd/m<sup>2</sup>)

Vertical Angle	Horizontal Angle		
	0	45	90
55	2940	2287	1997
65	2539	1416	1316
75	1904	572	561
85	659	0	0

IES files for this and other photometric options can be downloaded online at [www.ledalite.com](http://www.ledalite.com)

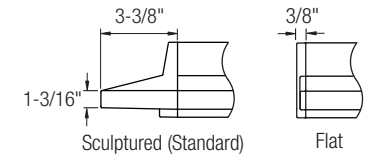
## Additional Information

### Modules

Module length excludes endcaps.  
Nominal mount spacing for individually mounted modules.

Module	Mount Spacing
4ft	4' 0"
8ft	8' 0"

### Endcap



## Specifications

Due to continuing product improvements, Ledalite reserves the right to change specifications without notice.

### Housing

18 gauge die-formed cold-rolled steel, precision formed and welded.

### Weight

Maximum 5.5 lb/ft.

### Optical System

Optical frame is constructed from 20 gauge die-formed cold-rolled steel. The optical lens assembly consists of flat acrylic panels with a layer of MesoOptics® film that provides high-angle glare control and high efficiency. The panels are secured to a perforated center basket using an acrylic lens. Optical door frame is secured to housing with safety straps. Frame can be removed from housing using a lift-and-shift mechanism. No hardware is visible. Standard distribution is 60% up/ 40% down. Also available in 20% up / 80% down and 100% down distributions.

### Endcaps

Available with sculptured die-cast endcaps (standard) or flat die-cast endcaps (optional).

### Joints

Self-aligning joining system with hands-free pre-joining wire access.

### Mounting

Aircraft cable gripper is tamper-resistant and provides infinite vertical adjustment capability. Aircraft cable, crimp and cable gripper independently tested to meet stringent safety requirements. Continuous run mounting on T-bar grid is limited to 32ft runs, but is unlimited in other ceiling types.

### Electrical

Factory pre-wired to section ends with quick-wire connectors.

### Ballast

Electronic.

### Approvals

Certified to UL and CSA standards.

### Finish

High-quality powder coat. Available in Ledalite Standard White only (textured matte finish).