

Voice™

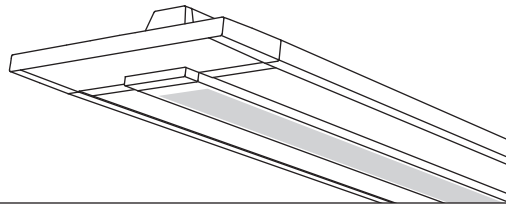


Project Name

Spec Type

Notes

Suspended
Direct/Indirect
3 T5




Order Guide

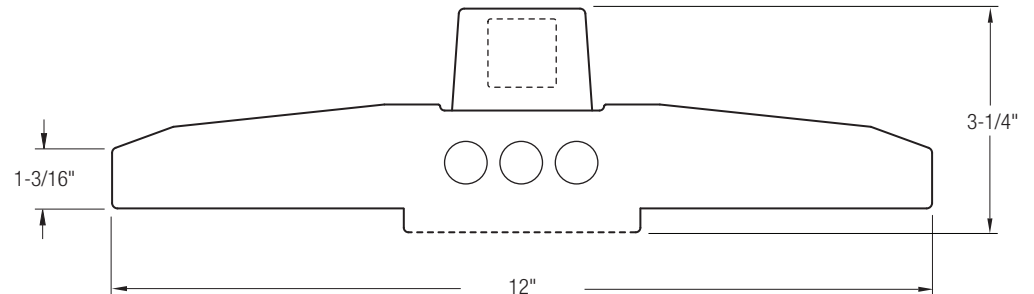
Some combinations of product options may not be available. Consult factory for assistance with your specification.

7306	F03			-		-		-	
Product Series & Type Voice Suspended Direct/ Indirect	Lamping 3 T5	Lower Optics I Slot Perf	Upper Optics N 60% Up / 40% Down G 20% Up / 80% Down J 100% Down	Run Length <i>Enter the total run length in feet (4ft increments)</i>	Wiring 1 1 cct 2 2 cct 3 1 cct w/ Emergency cct 4 2 cct w/ Emergency cct 5 1 cct w/ Battery Pack 6 2 cct w/ Battery Pack 7 1 cct Dimming	Voltage 1 120V 2 277V 3 347V	Ballast E Standard Ballast Consult website for ballast manufacturer information	Color & Finish W Standard White	
Mounting Hardware									
Mount Type <input type="text"/>					Suspension Length <i>Enter distance from ceiling to top of fixture in inches</i> <input type="text"/>				
See details on reverse					Consult website for complete list of standard wiring options				
Consult separate mounting spec sheet for mount type options									

Upgrades & Accessories

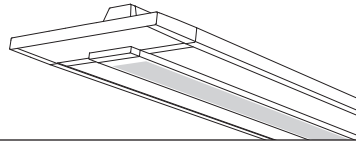
Please indicate with check mark.

<input type="checkbox"/> Lamps Included	<input type="checkbox"/> Lamps Included and Installed
<input type="checkbox"/> Flat Endcap See details on reverse	<input type="checkbox"/> Dust Cover Available with upper optics option N (options G & J include integral dust cover)
<input type="checkbox"/> Response Daylight (Integrated Controls) For details visit www.ledalite.com/response	



Voice™

Suspended
Direct/Indirect
3 T5



Photometry Optics IG 20% Up / 80% Down

Report Summary

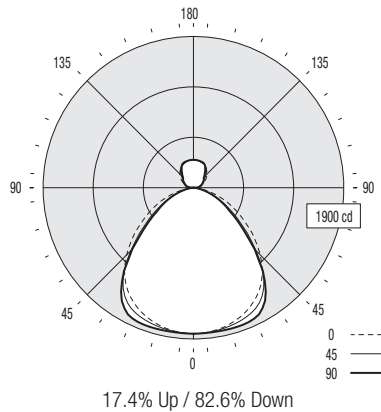
Efficiency 64.3%
Peak Candela Value* 351 @ 180°
Peak to Zenith Ratio* 1 : 1

Report # 9900807
Filename 7306F03IG.ies

* Between 90-180° vertical angle

Candela Distribution

Vertical Angle	Horizontal Angle					Zonal Lumens
	0	22.5	45	67.5	90	
0	1834	1834	1834	1834	1834	177
5	1826	1827	1828	1830	1832	508
15	1773	1779	1797	1821	1833	800
25	1668	1685	1734	1794	1815	960
35	1487	1506	1547	1598	1594	874
45	1194	1164	1117	1117	1095	642
55	837	776	685	654	629	406
65	519	458	365	364	356	181
75	239	182	142	153	146	29
85	33	24	13	14	10	0
90	0	0	0	0	0	49
95	21	32	51	63	69	88
105	83	66	83	94	99	120
115	140	115	115	125	130	149
125	193	184	151	155	159	168
135	242	244	219	192	189	174
145	283	286	287	263	259	147
155	316	318	323	327	329	96
165	338	339	340	342	343	33
175	349	349	350	349	350	
180	351	351	351	351	351	



Coefficients of Utilization (%)

Ceiling: Walk:	80				70				50				0			
	70	50	30	10	70	50	30	10	50	30	10	0	70	50	30	10
0 RCR	73	73	73	73	70	70	70	65	65	65	65	62	68	65	63	61
1	68	65	63	61	65	63	60	58	56	55	55	45	62	58	54	50
2	62	58	54	50	59	55	52	51	48	46	46	39	57	51	46	43
3	57	51	46	43	55	49	45	46	42	39	33	33	52	45	40	36
4	52	45	40	36	50	44	39	41	37	34	29	25	48	41	35	32
5	48	41	35	32	46	39	34	37	33	29	25	22	45	37	31	28
6	45	37	31	28	43	36	31	33	29	26	22	20	41	33	28	24
7	41	33	28	24	40	32	27	30	26	23	20	18	38	30	25	22
8	38	30	25	22	37	29	25	28	23	21	18	16	36	28	23	20
9	36	28	23	20	34	27	22	25	21	18	16	14	34	26	21	18
10	34	26	21	18	32	25	20	23	19	17	14	12				

Based on a floor reflectance of 0.2

Avg. Luminance (cd/m²)

Vertical Angle	Horizontal Angle		
	0	45	90
55	4411	3610	3315
65	3712	2610	2546
75	2791	1658	1705
85	1144	451	347

IES files for this and other photometric options can be downloaded online at www.ledalite.com

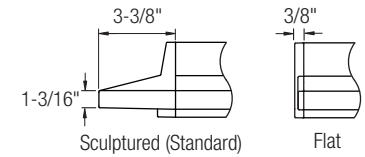
Additional Information

Modules

Module length excludes endcaps.
Nominal mount spacing for individually mounted modules.

Module	Mount Spacing
4ft	4' 0"
8ft	8' 0"

Endcap



Specifications

Due to continuing product improvements, Ledalite reserves the right to change specifications without notice.

Housing

18 gauge die-formed cold-rolled steel, precision formed and welded.

Weight

Maximum 5.5 lb/ft.

Optical System

Optical frame is constructed from 20 gauge die-formed cold-rolled steel. The optical lens assembly consists of flat acrylic panels with a layer of MesoOptics® film that provides high-angle glare control and high efficiency. The panels are secured to a perforated center basket using an acrylic lens. Optical door frame is secured to housing with safety straps. Frame can be removed from housing using a lift-and-shift mechanism. No hardware is visible. Standard distribution is 60% up/ 40% down. Also available in 20% up / 80% down and 100% down distributions.

Endcaps

Available with sculptured die-cast endcaps (standard) or flat die-cast endcaps (optional).

Joints

Self-aligning joining system with hands-free pre-joining wire access.

Mounting

Aircraft cable gripper is tamper-resistant and provides infinite vertical adjustment capability. Aircraft cable, crimp and cable gripper independently tested to meet stringent safety requirements. Continuous run mounting on T-bar grid is limited to 32ft runs, but is unlimited in other ceiling types.

Electrical

Factory pre-wired to section ends with quick-wire connectors.

Ballast

Electronic.

Approvals

Certified to UL and CSA standards.

Finish

High-quality powder coat. Available in Ledalite Standard White only (textured matte finish).