

# Voice™

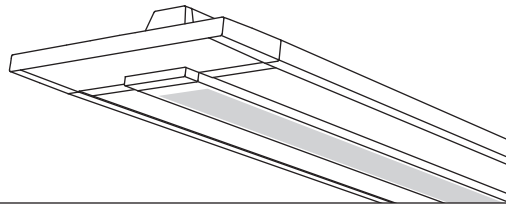


Project Name

Spec Type

Notes

Suspended  
Direct/Indirect  
2 T8



## Order Guide

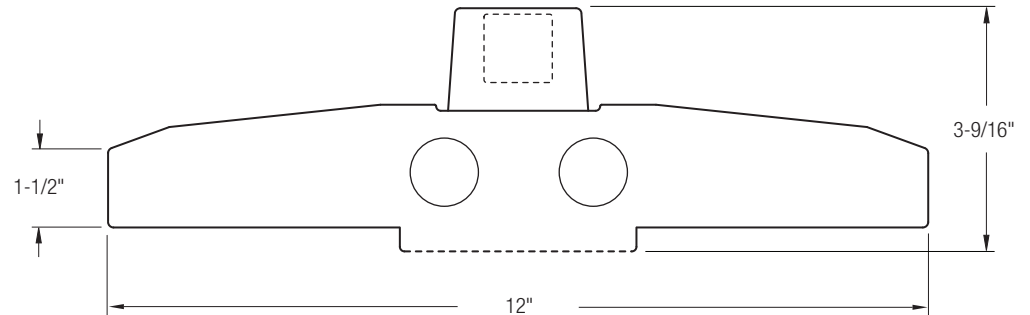
Some combinations of product options may not be available. Consult factory for assistance with your specification.

<b>7306</b>	<b>T02</b>			-		-		-	
<b>Product Series &amp; Type</b> Voice Suspended Direct/ Indirect	<b>Lamping</b> 2 T8	<b>Lower Optics</b> I Slot Perf	<b>Upper Optics</b> N 60% Up / 40% Down G 20% Up / 80% Down J 100% Down	<b>Run Length</b> <i>Enter the total run length in feet (4ft increments)</i>	<b>Wiring</b> 1 1 cct 2 2 cct 3 1 cct w/ Emergency cct 4 2 cct w/ Emergency cct 5 1 cct w/ Battery Pack 6 2 cct w/ Battery Pack 7 1 cct Dimming	<b>Voltage</b> 1 120V 2 277V 3 347V	<b>Ballast</b> E Standard Ballast  Consult website for ballast manufacturer information	<b>Color &amp; Finish</b> W Standard White	
<b>Mounting Hardware</b>									
<b>Mount Type</b>  Consult separate mounting spec sheet for mount type options					<b>Suspension Length</b> <i>Enter distance from ceiling to top of fixture in inches</i>				

## Upgrades & Accessories

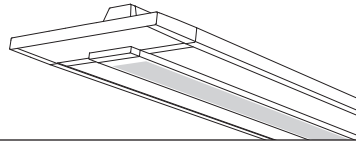
Please indicate with check mark.

<input type="checkbox"/> Lamps Included	<input type="checkbox"/> Lamps Included and Installed
<input type="checkbox"/> Flat Endcap See details on reverse	<input type="checkbox"/> Dust Cover Available with upper optics option N (options G & J include integral dust cover)
<input type="checkbox"/> Response Daylight (Integrated Controls) For details visit <a href="http://www.ledalite.com/response">www.ledalite.com/response</a>	



# Voice™

Suspended  
Direct/Indirect  
2 TB



## Photometry Optics IJ 100% Down

### Report Summary

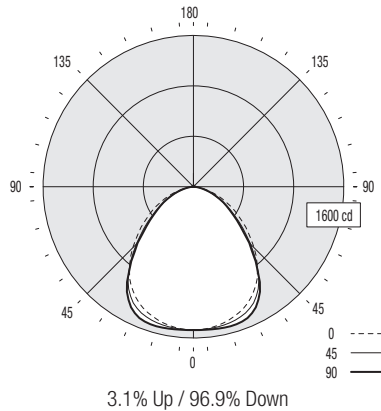
Efficiency 63%  
Peak Candela Value\* N/A  
Peak to Zenith Ratio\* N/A : 1

Report # 9900799  
Filename 7306T02IJ.ies

\* Between 90-180° vertical angle

### Candela Distribution

Vertical Angle	Horizontal Angle					Zonal Lumens
	0	22.5	45	67.5	90	
0	1517	1517	1517	1517	1517	
5	1509	1511	1513	1517	1519	146
15	1460	1470	1491	1517	1528	422
25	1361	1380	1419	1465	1476	654
35	1184	1201	1213	1239	1232	753
45	914	903	860	852	840	673
55	628	597	538	530	515	505
65	383	355	306	311	306	328
75	168	148	131	140	135	155
85	21	25	23	29	27	32
90	0	0	0	0	0	
95	4	4	5	6	6	5
105	6	7	7	7	7	8
115	6	8	10	11	11	8
125	6	8	11	13	13	8
135	7	8	11	13	14	8
145	7	8	10	12	12	7
155	8	8	9	11	11	4
165	7	7	7	7	7	2
175	6	6	6	6	6	0
180	6	6	6	6	6	



### Coefficients of Utilization (%)

Ceiling:	80					70					50					0				
	70	50	30	10		70	50	30	10		50	30	10		0	0	0	0	0	
0 RCR	74	74	74	74		73	73	73	69	69	69	69	69	62						
1	69	66	64	62		67	65	63	62	60	59	53								
2	63	59	55	51		62	57	54	55	52	49	46								
3	58	52	47	44		56	51	47	49	45	42	39								
4	53	46	41	37		52	46	41	44	40	37	34								
5	49	42	37	33		48	41	36	40	35	32	30								
6	46	38	33	29		44	37	32	36	32	28	26								
7	42	34	29	26		41	34	29	33	28	25	23								
8	40	31	26	23		39	31	26	30	26	23	21								
9	37	29	24	21		36	29	24	28	23	20	19								
10	35	27	22	19		34	26	22	26	21	19	17								

Based on a floor reflectance of 0.2

### Avg. Luminance (cd/m<sup>2</sup>)

Vertical Angle	Horizontal Angle		
	0	45	90
55	3309	2835	2714
65	2739	2188	2188
75	1962	1530	1577
85	728	798	936

IES files for this and other photometric options can be downloaded online at [www.ledalite.com](http://www.ledalite.com)

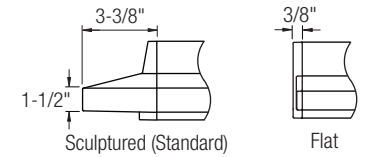
## Additional Information

### Modules

Module length excludes endcaps.  
Nominal mount spacing for individually mounted modules.

Module	Mount Spacing
4ft	4' 0"
8ft	8' 0"

### Endcap



## Specifications

Due to continuing product improvements, Ledalite reserves the right to change specifications without notice.

### Housing

18 gauge die-formed cold-rolled steel, precision formed and welded.

### Weight

Maximum 5.5 lb/ft.

### Optical System

Optical frame is constructed from 20 gauge die-formed cold-rolled steel. The optical lens assembly consists of flat acrylic panels with a layer of MesoOptics® film that provides high-angle glare control and high efficiency. The panels are secured to a perforated center basket using an acrylic lens. Optical door frame is secured to housing with safety straps. Frame can be removed from housing using a lift-and-shift mechanism. No hardware is visible. Standard distribution is 60% up/ 40% down. Also available in 20% up / 80% down and 100% down distributions.

### Endcaps

Available with sculptured die-cast endcaps (standard) or flat die-cast endcaps (optional).

### Joints

Self-aligning joining system with hands-free pre-joining wire access.

### Mounting

Aircraft cable gripper is tamper-resistant and provides infinite vertical adjustment capability. Aircraft cable, crimp and cable gripper independently tested to meet stringent safety requirements. Continuous run mounting on T-bar grid is limited to 32ft runs, but is unlimited in other ceiling types.

### Electrical

Factory pre-wired to section ends with quick-wire connectors.

### Ballast

Electronic.

### Approvals

Certified to UL and CSA standards.

### Finish

High-quality powder coat. Available in Ledalite Standard White only (textured matte finish).