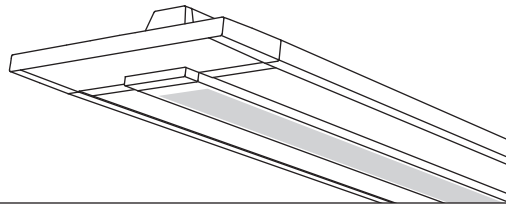


# Voice™



Suspended  
Direct/Indirect  
2 T8



Project Name

Spec Type

Notes

## Order Guide

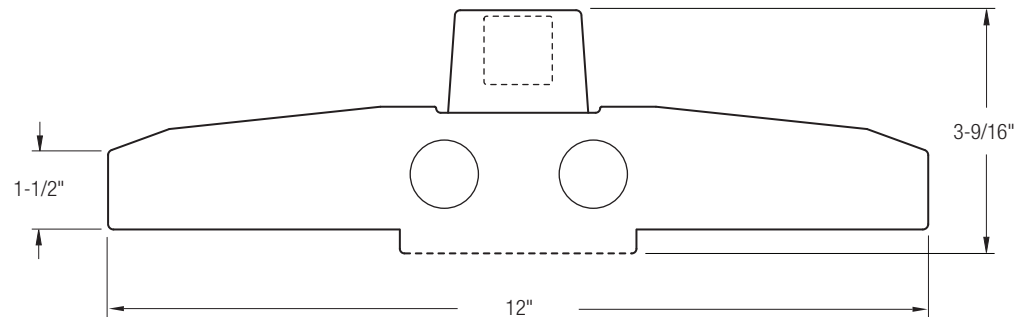
Some combinations of product options may not be available. Consult factory for assistance with your specification.

<b>7306</b>	<b>T02</b>	<input type="text"/>	<input type="text"/>	-	<input type="text"/>	-	<input type="text"/>	-	<input type="text"/>	-	<input type="text"/>
<b>Product Series &amp; Type</b> Voice Suspended Direct/ Indirect	<b>Lamping</b> 2 T8	<b>Lower Optics</b> I Slot Perf	<b>Upper Optics</b> N 60% Up / 40% Down G 20% Up / 80% Down J 100% Down	<b>Run Length</b> <i>Enter the total run length in feet (4ft increments)</i>	<b>Wiring</b> 1 1 cct 2 2 cct 3 1 cct w/ Emergency cct 4 2 cct w/ Emergency cct 5 1 cct w/ Battery Pack 6 2 cct w/ Battery Pack 7 1 cct Dimming	<b>Voltage</b> 1 120V 2 277V 3 347V	<b>Ballast</b> E Standard Ballast  Consult website for ballast manufacturer information	<b>Color &amp; Finish</b> W Standard White	<b>Mounting Hardware</b>		
				See details on reverse	Consult website for complete list of standard wiring options	<b>Mount Type</b> Consult separate mounting spec sheet for mount type options		<b>Suspension Length</b> <i>Enter distance from ceiling to top of fixture in inches</i>			

## Upgrades & Accessories

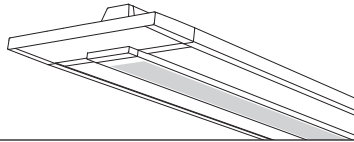
Please indicate with check mark.

<input type="checkbox"/> Lamps Included	<input type="checkbox"/> Lamps Included and Installed
<input type="checkbox"/> Flat Endcap See details on reverse	<input type="checkbox"/> Dust Cover Available with upper optics option N (options G & J include integral dust cover)
<input type="checkbox"/> Response Daylight (Integrated Controls) For details visit <a href="http://www.ledalite.com/response">www.ledalite.com/response</a>	



# Voice™

Suspended  
Direct/Indirect  
2 TB



## Photometry Optics IG 20% Up / 80% Down

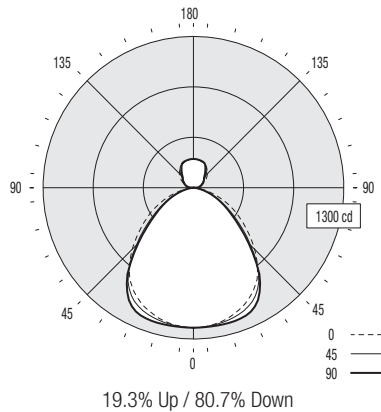
### Report Summary

Efficiency 61.8%  
Peak Candela Value\* 247 @ 178°  
Peak to Zenith Ratio\* 1 : 1

Report # 9900798  
Filename 7306T02IG.ies  
\* Between 90-180° vertical angle

### Candela Distribution

Vertical Angle	Horizontal Angle					Zonal Lumens
	0	22.5	45	67.5	90	
0	1204	1204	1204	1204	1204	
5	1198	1198	1199	1201	1202	117
15	1160	1164	1177	1194	1202	333
25	1084	1097	1125	1163	1175	519
35	960	969	986	1011	1005	611
45	749	737	696	696	675	549
55	523	489	434	414	401	406
65	327	287	236	235	230	258
75	142	118	94	101	96	117
85	18	17	10	11	9	19
90	0	0	0	0	0	
95	15	22	36	43	46	33
105	58	45	58	64	69	61
115	97	80	80	87	90	85
125	136	129	106	107	110	104
135	170	172	152	134	132	119
145	199	202	201	183	179	121
155	223	223	227	229	230	104
165	238	239	239	240	242	68
175	246	246	246	246	246	24
180	247	247	247	247	247	



### Coefficients of Utilization (%)

Ceiling: Wall:	80				70				50				0	
	70	50	30	10	70	50	30	10	50	30	10	0	0	
0 RCR	70	70	70	70	67	67	67	61	61	61	49			
1	65	62	60	58	62	60	58	55	53	52	43			
2	59	55	51	48	57	53	50	49	46	44	36			
3	55	49	44	41	52	47	43	43	40	37	31			
4	50	43	39	35	48	42	37	39	35	32	27			
5	46	39	34	30	44	38	33	35	31	28	24			
6	43	35	30	26	41	34	29	32	28	25	21			
7	40	32	27	23	38	31	26	29	25	22	19			
8	37	29	24	21	35	28	24	26	22	20	17			
9	34	27	22	19	33	26	21	24	20	18	15			
10	32	25	20	17	31	24	20	22	19	16	14			

Based on a floor reflectance of 0.2

### Avg. Luminance (cd/m<sup>2</sup>)

Vertical Angle	Horizontal Angle		
	0	45	90
55	2756	2287	2113
65	2339	1688	1645
75	1658	1098	1121
85	624	347	312

IES files for this and other photometric options can be downloaded online at [www.ledalite.com](http://www.ledalite.com)

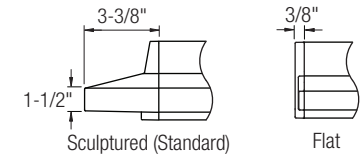
## Additional Information

### Modules

Module length excludes endcaps.  
Nominal mount spacing for individually mounted modules.

Module	Mount Spacing
4ft	4' 0"
8ft	8' 0"

### Endcap



## Specifications

Due to continuing product improvements, Ledalite reserves the right to change specifications without notice.

### Housing

18 gauge die-formed cold-rolled steel, precision formed and welded.

### Weight

Maximum 5.5 lb/ft.

### Optical System

Optical frame is constructed from 20 gauge die-formed cold-rolled steel. The optical lens assembly consists of flat acrylic panels with a layer of MesoOptics® film that provides high-angle glare control and high efficiency. The panels are secured to a perforated center basket using an acrylic lens. Optical door frame is secured to housing with safety straps. Frame can be removed from housing using a lift-and-shift mechanism. No hardware is visible. Standard distribution is 60% up/ 40% down. Also available in 20% up / 80% down and 100% down distributions.

### Endcaps

Available with sculptured die-cast endcaps (standard) or flat die-cast endcaps (optional).

### Joints

Self-aligning joining system with hands-free pre-joining wire access.

### Mounting

Aircraft cable gripper is tamper-resistant and provides infinite vertical adjustment capability. Aircraft cable, crimp and cable gripper independently tested to meet stringent safety requirements. Continuous run mounting on T-bar grid is limited to 32ft runs, but is unlimited in other ceiling types.

### Electrical

Factory pre-wired to section ends with quick-wire connectors.

### Ballast

Electronic.

### Approvals

Certified to UL and CSA standards.

### Finish

High-quality powder coat. Available in Ledalite Standard White only (textured matte finish).