

Voice™

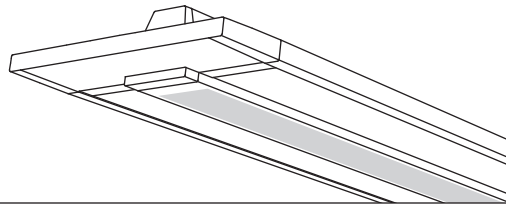


Project Name

Spec Type

Notes

Suspended
Direct/Indirect
2 T5




Order Guide

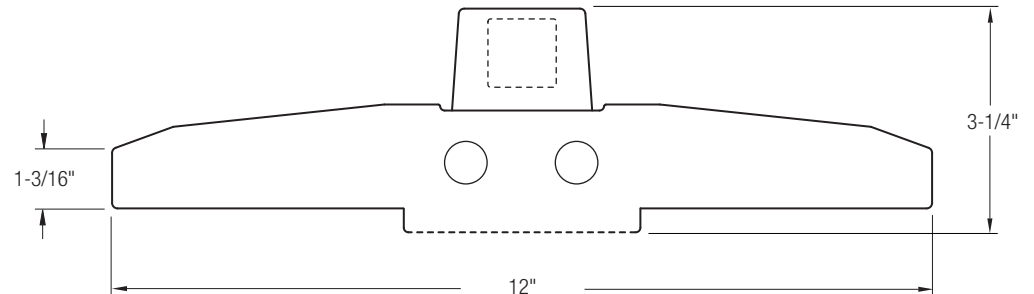
Some combinations of product options may not be available. Consult factory for assistance with your specification.

7306	F02			-		-		-	
Product Series & Type Voice Suspended Direct/ Indirect	Lamping 2 T5	Lower Optics I Slot Perf	Upper Optics N 60% Up / 40% Down G 20% Up / 80% Down J 100% Down	Run Length <i>Enter the total run length in feet (4ft increments)</i>	Wiring 1 1 cct 2 2 cct 3 1 cct w/ Emergency cct 4 2 cct w/ Emergency cct 5 1 cct w/ Battery Pack 6 2 cct w/ Battery Pack 7 1 cct Dimming	Voltage 1 120V 2 277V 3 347V	Ballast E Standard Ballast Consult website for ballast manufacturer information	Color & Finish W Standard White	
<p style="text-align: center;">Mounting Hardware</p> <p><input type="text"/> <input type="text"/></p> <p>Mount Type Suspension Length</p> <p>Consult separate mounting spec sheet for mount type options <i>Enter distance from ceiling to top of fixture in inches</i></p>									
				See details on reverse	Consult website for complete list of standard wiring options				

Upgrades & Accessories

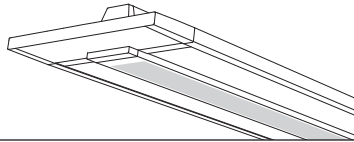
Please indicate with check mark.

<input type="checkbox"/> Lamps Included	<input type="checkbox"/> Lamps Included and Installed
<input type="checkbox"/> Flat Endcap See details on reverse	<input type="checkbox"/> Dust Cover Available with upper optics option N (options G & J include integral dust cover)
	
<input type="checkbox"/> Response Daylight (Integrated Controls) For details visit www.ledalite.com/response	



Voice™

Suspended
Direct/Indirect
2 T5



Photometry Optics IG 20% Up / 80% Down

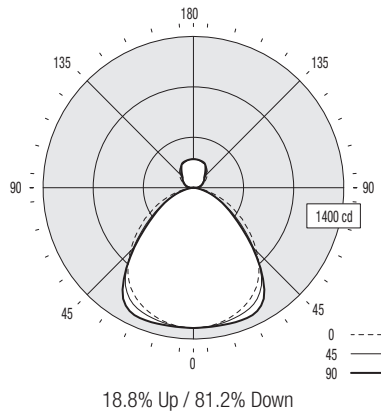
Report Summary

Efficiency 69.4%
Peak Candela Value* 264 @ 175°
Peak to Zenith Ratio* 1 : 1

Report # 9900804
Filename 7306F02IG.ies
* Between 90-180° vertical angle

Candela Distribution

Vertical Angle	Horizontal Angle					Zonal Lumens
	0	22.5	45	67.5	90	
0	1299	1299	1299	1299	1299	
5	1293	1293	1294	1296	1297	126
15	1255	1259	1274	1293	1302	362
25	1179	1195	1234	1281	1301	569
35	1048	1064	1105	1151	1151	685
45	832	825	794	799	777	621
55	584	552	488	472	453	457
65	367	318	261	263	256	287
75	161	125	101	108	101	128
85	20	17	10	11	10	21
90	0	0	0	0	0	
95	16	25	40	49	54	38
105	61	50	64	72	76	67
115	104	88	88	96	99	93
125	145	137	117	118	122	112
135	183	184	164	146	144	127
145	214	216	216	198	194	130
155	238	239	243	246	248	112
165	255	255	256	257	259	72
175	263	263	263	263	264	24
180	264	264	264	264	264	



Coefficients of Utilization (%)

Ceiling: Walk:	80				70				50				0			
	70	50	30	10	70	50	30	10	50	30	10	0	50	30	10	0
0 RCR	79	79	79	79	76	76	76	69	69	69	69	69	69	69	69	56
1	73	70	68	65	70	67	65	62	60	59	48	60	59	48	48	48
2	67	62	58	54	64	60	56	55	52	49	41	52	49	41	41	41
3	61	55	50	46	59	53	48	49	45	42	35	46	42	35	35	35
4	56	49	43	39	54	47	42	44	40	36	31	42	36	31	31	31
5	52	44	38	34	50	42	37	39	35	32	27	39	35	27	27	27
6	48	40	34	30	46	38	33	36	31	28	24	36	31	24	24	24
7	45	36	30	26	43	35	29	32	28	25	21	32	28	21	21	21
8	41	33	27	23	40	32	27	30	25	22	19	29	25	19	19	19
9	39	30	25	21	37	29	24	27	23	20	17	27	23	17	17	17
10	36	28	22	19	35	27	22	25	21	18	15	25	21	15	15	15

Based on a floor reflectance of 0.2

Avg. Luminance (cd/m²)

Vertical Angle	Horizontal Angle		
	0	45	90
55	3077	2572	2387
65	2625	1867	1831
75	1880	1179	1179
85	694	347	347

IES files for this and other photometric options can be downloaded online at www.ledalite.com

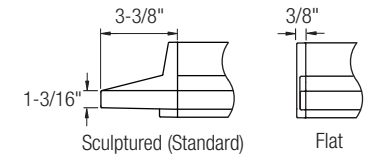
Additional Information

Modules

Module length excludes endcaps.
Nominal mount spacing for individually mounted modules.

Module	Mount Spacing
4ft	4' 0"
8ft	8' 0"

Endcap



Specifications

Due to continuing product improvements, Ledalite reserves the right to change specifications without notice.

Housing

18 gauge die-formed cold-rolled steel, precision formed and welded.

Weight

Maximum 5.5 lb/ft.

Optical System

Optical frame is constructed from 20 gauge die-formed cold-rolled steel. The optical lens assembly consists of flat acrylic panels with a layer of MesoOptics® film that provides high-angle glare control and high efficiency. The panels are secured to a perforated center basket using an acrylic lens. Optical door frame is secured to housing with safety straps. Frame can be removed from housing using a lift-and-shift mechanism. No hardware is visible. Standard distribution is 60% up/ 40% down. Also available in 20% up / 80% down and 100% down distributions.

Endcaps

Available with sculptured die-cast endcaps (standard) or flat die-cast endcaps (optional).

Joints

Self-aligning joining system with hands-free pre-joining wire access.

Mounting

Aircraft cable gripper is tamper-resistant and provides infinite vertical adjustment capability. Aircraft cable, crimp and cable gripper independently tested to meet stringent safety requirements. Continuous run mounting on T-bar grid is limited to 32ft runs, but is unlimited in other ceiling types.

Electrical

Factory pre-wired to section ends with quick-wire connectors.

Ballast

Electronic.

Approvals

Certified to UL and CSA standards.

Finish

High-quality powder coat. Available in Ledalite Standard White only (textured matte finish).