

# Voice™

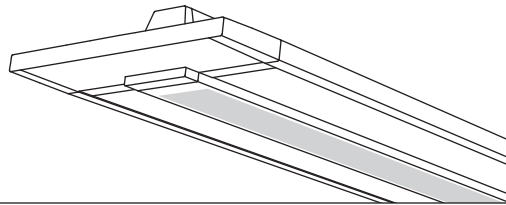


Project Name

Spec Type

Notes

Suspended  
Direct/Indirect  
2 T5HO




## Order Guide

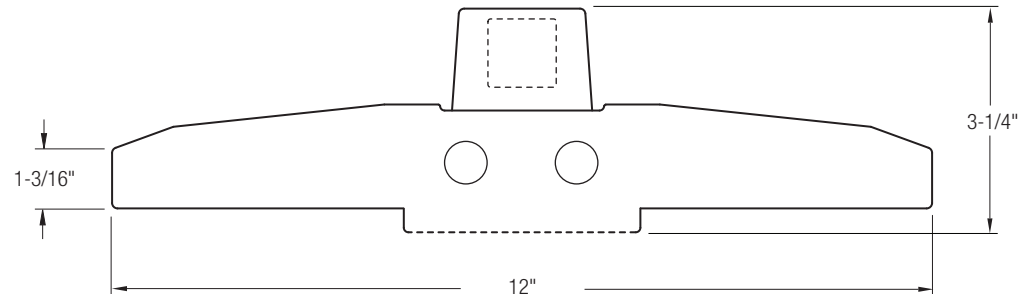
Some combinations of product options may not be available. Consult factory for assistance with your specification.

<b>7306</b>	<b>H02</b>			-		-		-	
<b>Product Series &amp; Type</b> Voice Suspended Direct/ Indirect	<b>Lamping</b> 2 T5HO	<b>Lower Optics</b> I Slot Perf	<b>Upper Optics</b> N 60% Up / 40% Down G 20% Up / 80% Down J 100% Down	<b>Run Length</b> <i>Enter the total run length in feet (4ft increments)</i>	<b>Wiring</b> 1 1 cct 2 2 cct 3 1 cct w/ Emergency cct 4 2 cct w/ Emergency cct 5 1 cct w/ Battery Pack 6 2 cct w/ Battery Pack 7 1 cct Dimming	<b>Voltage</b> 1 120V 2 277V 3 347V	<b>Ballast</b> E Standard Ballast  Consult website for ballast manufacturer information	<b>Color &amp; Finish</b> W Standard White	
<b>Mounting Hardware</b>									
<b>Mount Type</b> <input type="text"/>					<b>Suspension Length</b> <i>Enter distance from ceiling to top of fixture in inches</i>				
See details on reverse					Consult website for complete list of standard wiring options				
Consult separate mounting spec sheet for mount type options									

## Upgrades & Accessories

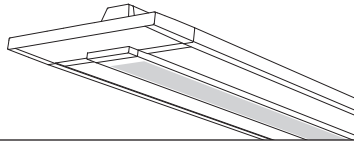
Please indicate with check mark.

<input type="checkbox"/> Lamps Included	<input type="checkbox"/> Lamps Included and Installed
<input type="checkbox"/> Flat Endcap See details on reverse	<input type="checkbox"/> Dust Cover Available with upper optics option N (options G & J include integral dust cover)
<input type="checkbox"/> Response Daylight (Integrated Controls) For details visit <a href="http://www.ledalite.com/response">www.ledalite.com/response</a>	



# Voice™

Suspended  
Direct/Indirect  
2 T5HO



## Photometry Optics IN 60% Up / 40% Down

### Report Summary

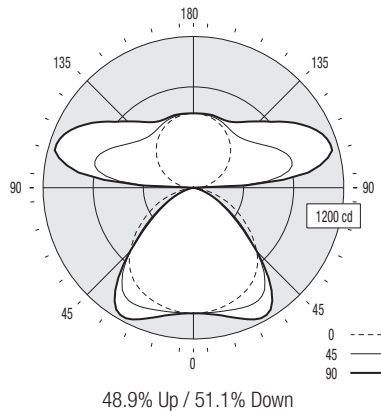
Efficiency 69.5%  
Peak Candela Value\* 1146 @ 105°  
Peak to Zenith Ratio\* 1.9 : 1

Report # 9900790  
Filename 7306H02IN.ies

\* Between 90-180° vertical angle

### Candela Distribution

Vertical Angle	Horizontal Angle					Zonal Lumens
	0	22.5	45	67.5	90	
0	997	997	997	997	997	
5	994	995	997	1000	1003	97
15	971	980	1010	1042	1059	288
25	929	957	1036	1118	1153	479
35	854	895	991	1078	1097	609
45	716	715	715	733	718	554
55	519	470	405	389	371	385
65	334	261	186	182	173	219
75	145	86	40	41	38	73
85	16	0	0	0	0	5
90	0	0	0	1	0	
95	87	335	593	651	718	475
105	152	437	814	1063	1146	768
115	252	392	734	999	1081	691
125	342	398	615	837	909	557
135	421	448	552	692	744	441
145	487	503	541	605	635	347
155	538	546	565	580	591	261
165	571	575	584	591	596	165
175	588	588	590	591	591	57
180	590	590	590	590	590	



### Coefficients of Utilization (%)

Ceiling: Walk:	80				70				50				0
	70	50	30	10	70	50	30	10	50	30	10	0	
0 RCR	74	74	74	74	67	67	67	67	55	55	55	29	
1	68	65	62	60	62	59	57	49	47	46	25		
2	62	57	53	49	56	52	49	43	41	38	22		
3	56	50	45	41	51	46	42	38	35	33	18		
4	52	44	39	35	47	41	36	34	31	28	16		
5	47	40	34	30	43	36	32	30	27	24	14		
6	44	35	30	26	40	33	28	27	24	21	12		
7	40	32	27	23	37	29	25	25	21	18	11		
8	37	29	24	20	34	27	22	22	19	16	10		
9	35	26	21	18	32	24	20	20	17	14	9		
10	32	24	19	16	29	22	18	19	15	13	8		

Based on a floor reflectance of 0.2

### Avg. Luminance (cd/m<sup>2</sup>)

Vertical Angle	Horizontal Angle		
	0	45	90
55	2735	2134	1955
65	2389	1330	1237
75	1693	467	444
85	555	0	0

IES files for this and other photometric options can be downloaded online at [www.ledalite.com](http://www.ledalite.com)

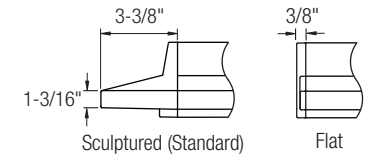
## Additional Information

### Modules

Module length excludes endcaps.  
Nominal mount spacing for individually mounted modules.

Module	Mount Spacing
4ft	4' 0"
8ft	8' 0"

### Endcap



## Specifications

Due to continuing product improvements, Ledalite reserves the right to change specifications without notice.

### Housing

18 gauge die-formed cold-rolled steel, precision formed and welded.

### Weight

Maximum 5.5 lb/ft.

### Optical System

Optical frame is constructed from 20 gauge die-formed cold-rolled steel. The optical lens assembly consists of flat acrylic panels with a layer of MesoOptics® film that provides high-angle glare control and high efficiency. The panels are secured to a perforated center basket using an acrylic lens. Optical door frame is secured to housing with safety straps. Frame can be removed from housing using a lift-and-shift mechanism. No hardware is visible. Standard distribution is 60% up/ 40% down. Also available in 20% up / 80% down and 100% down distributions.

### Endcaps

Available with sculptured die-cast endcaps (standard) or flat die-cast endcaps (optional).

### Joints

Self-aligning joining system with hands-free pre-joining wire access.

### Mounting

Aircraft cable gripper is tamper-resistant and provides infinite vertical adjustment capability. Aircraft cable, crimp and cable gripper independently tested to meet stringent safety requirements. Continuous run mounting on T-bar grid is limited to 32ft runs, but is unlimited in other ceiling types.

### Electrical

Factory pre-wired to section ends with quick-wire connectors.

### Ballast

Electronic.

### Approvals

Certified to UL and CSA standards.

### Finish

High-quality powder coat. Available in Ledalite Standard White only (textured matte finish).