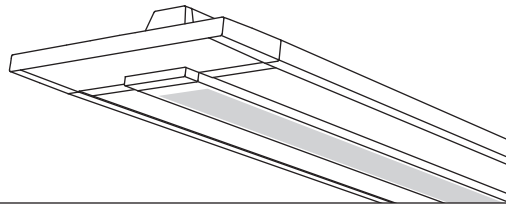


Voice™



Suspended
Direct/Indirect
2 T5HO



Project Name

Spec Type

Notes


Order Guide

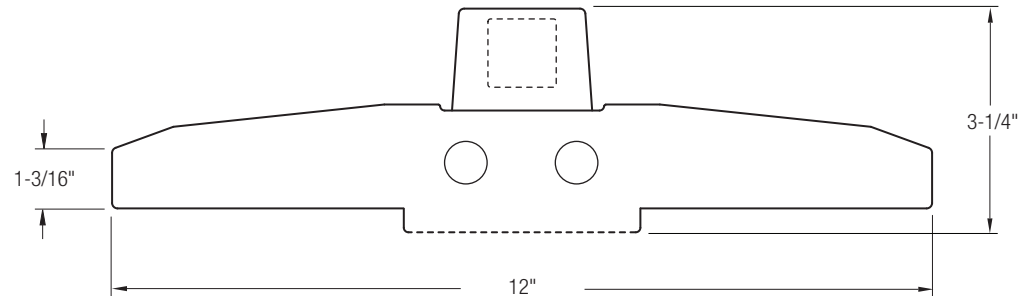
Some combinations of product options may not be available. Consult factory for assistance with your specification.

7306	H02			-		-		-		
Product Series & Type Voice Suspended Direct/ Indirect	Lamping 2 T5HO	Lower Optics I Slot Perf	Upper Optics N 60% Up / 40% Down G 20% Up / 80% Down J 100% Down	Run Length <i>Enter the total run length in feet (4ft increments)</i>	Wiring 1 1 cct 2 2 cct 3 1 cct w/ Emergency cct 4 2 cct w/ Emergency cct 5 1 cct w/ Battery Pack 6 2 cct w/ Battery Pack 7 1 cct Dimming	Voltage 1 120V 2 277V 3 347V	Ballast E Standard Ballast Consult website for ballast manufacturer information	Color & Finish W Standard White	Mounting Hardware	
				See details on reverse	Consult website for complete list of standard wiring options				Mount Type Consult separate mounting spec sheet for mount type options	Suspension Length <i>Enter distance from ceiling to top of fixture in inches</i>

Upgrades & Accessories

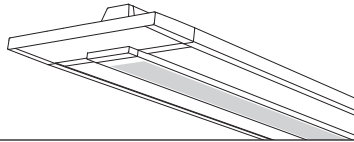
Please indicate with check mark.

<input type="checkbox"/> Lamps Included	<input type="checkbox"/> Lamps Included and Installed
<input type="checkbox"/> Flat Endcap See details on reverse	<input type="checkbox"/> Dust Cover Available with upper optics option N (options G & J include integral dust cover)
<input type="checkbox"/> Response Daylight (Integrated Controls) For details visit www.ledalite.com/response	



Voice™

Suspended
Direct/Indirect
2 T5HO



Photometry Optics IJ 100% Down

Report Summary

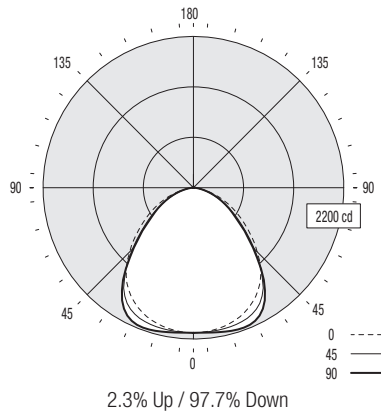
Efficiency 57.8%
Peak Candela Value* N/A
Peak to Zenith Ratio* N/A : 1

Report # 9900793
Filename 7306H02IJ.ies

* Between 90-180° vertical angle

Candela Distribution

Vertical Angle	Horizontal Angle					Zonal Lumens
	0	22.5	45	67.5	90	
0	2111	2111	2111	2111	2111	
5	2103	2105	2107	2112	2116	203
15	2045	2059	2094	2134	2155	594
25	1921	1954	2029	2113	2137	934
35	1696	1728	1781	1843	1824	1102
45	1317	1312	1260	1274	1232	987
55	913	877	793	780	752	735
65	564	515	451	460	453	480
75	244	218	193	211	205	228
85	32	39	38	47	43	50
90	0	0	0	0	0	
95	5	5	6	7	7	7
105	9	8	8	8	8	8
115	9	10	11	11	11	12
125	9	11	13	14	14	12
135	8	10	13	15	15	10
145	9	10	12	15	16	8
155	9	9	11	15	15	6
165	9	9	8	9	9	3
175	8	8	8	7	7	0
180	8	8	8	8	8	



Coefficients of Utilization (%)

Ceiling:	80				70				50				0				
	70	50	30	10	70	50	30	10	50	30	10	0	70	50	30	10	0
0 RCR	68	68	68	68	67	67	67	64	64	64	64	57					
1	63	61	59	57	62	59	57	57	55	54	49						
2	58	54	50	47	56	52	49	50	48	45	42						
3	53	48	43	40	52	47	43	45	41	39	36						
4	49	42	38	34	48	42	37	40	36	33	31						
5	45	38	33	30	44	37	33	36	32	29	27						
6	42	34	30	26	41	34	29	33	29	26	24						
7	39	31	27	23	38	31	26	30	26	23	21						
8	36	29	24	21	35	28	24	27	23	20	19						
9	34	26	22	19	33	26	22	25	21	18	17						
10	32	24	20	17	31	24	20	23	19	17	16						

Based on a floor reflectance of 0.2

Avg. Luminance (cd/m²)

Vertical Angle	Horizontal Angle		
	0	45	90
55	4811	4179	3963
65	4034	3225	3240
75	2849	2254	2394
85	1110	1318	1491

IES files for this and other photometric options can be downloaded online at www.ledalite.com

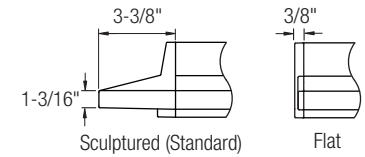
Additional Information

Modules

Module length excludes endcaps.
Nominal mount spacing for individually mounted modules.

Module	Mount Spacing
4ft	4' 0"
8ft	8' 0"

Endcap



Specifications

Due to continuing product improvements, Ledalite reserves the right to change specifications without notice.

Housing

18 gauge die-formed cold-rolled steel, precision formed and welded.

Weight

Maximum 5.5 lb/ft.

Optical System

Optical frame is constructed from 20 gauge die-formed cold-rolled steel. The optical lens assembly consists of flat acrylic panels with a layer of MesoOptics® film that provides high-angle glare control and high efficiency. The panels are secured to a perforated center basket using an acrylic lens. Optical door frame is secured to housing with safety straps. Frame can be removed from housing using a lift-and-shift mechanism. No hardware is visible. Standard distribution is 60% up/ 40% down. Also available in 20% up / 80% down and 100% down distributions.

Endcaps

Available with sculptured die-cast endcaps (standard) or flat die-cast endcaps (optional).

Joints

Self-aligning joining system with hands-free pre-joining wire access.

Mounting

Aircraft cable gripper is tamper-resistant and provides infinite vertical adjustment capability. Aircraft cable, crimp and cable gripper independently tested to meet stringent safety requirements. Continuous run mounting on T-bar grid is limited to 32ft runs, but is unlimited in other ceiling types.

Electrical

Factory pre-wired to section ends with quick-wire connectors.

Ballast

Electronic.

Approvals

Certified to UL and CSA standards.

Finish

High-quality powder coat. Available in Ledalite Standard White only (textured matte finish).