

Voice™

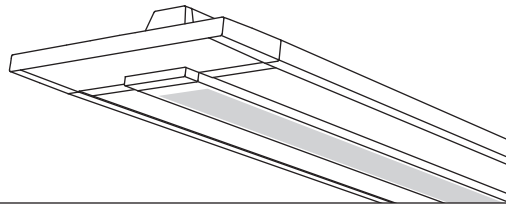


Project Name

Spec Type

Notes

Suspended
Direct/Indirect
1 T5



Order Guide

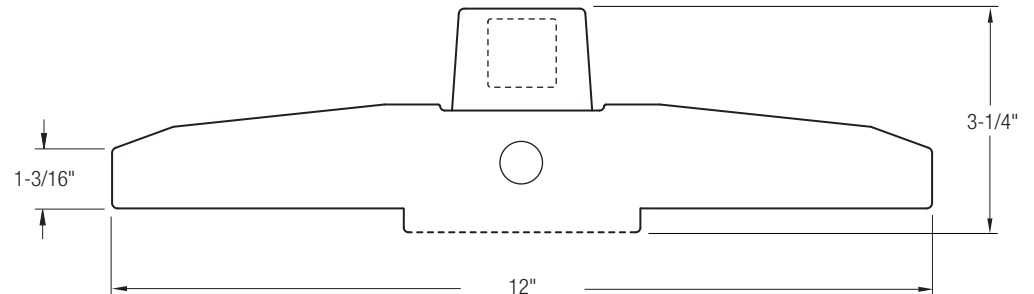
Some combinations of product options may not be available. Consult factory for assistance with your specification.

7306	F01			-		-		-	
Product Series & Type Voice Suspended Direct/ Indirect	Lamping 1 T5	Lower Optics I Slot Perf	Upper Optics N 60% Up / 40% Down G 20% Up / 80% Down J 100% Down	Run Length <i>Enter the total run length in feet (4ft increments)</i>	Wiring 1 1 cct 3 1 cct w/ Emergency cct 5 1 cct w/ Battery Pack 7 1 cct Dimming	Voltage 1 120V 2 277V 3 347V	Ballast E Standard Ballast Consult website for ballast manufacturer information	Color & Finish W Standard White	
Mounting Hardware									
						Mount Type Consult separate mounting spec sheet for mount type options			
						Suspension Length <i>Enter distance from ceiling to top of fixture in inches</i>			
				See details on reverse	Consult website for complete list of standard wiring options				

Upgrades & Accessories

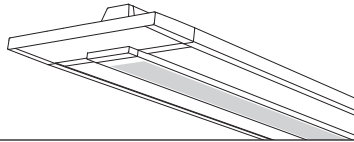
Please indicate with check mark.

<input type="checkbox"/> Lamps Included	<input type="checkbox"/> Lamps Included and Installed
<input type="checkbox"/> Flat Endcap See details on reverse	<input type="checkbox"/> Dust Cover Available with upper optics option N (options G & J include integral dust cover)
<input type="checkbox"/> Response Daylight (Integrated Controls) For details visit www.ledalite.com/response	



Voice™

Suspended
Direct/Indirect
1 T5



Photometry

Optics IN 60% Up / 40% Down

Report Summary

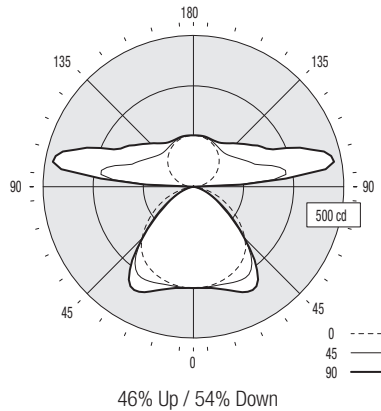
Efficiency 72.2%
Peak Candela Value* 475 @ 100°
Peak to Zenith Ratio* 2.8 : 1

Report # 9900872
Filename 7306F01IN.ies
* Between 90-180° vertical angle

Meets RP-1-04 recommendations for VDT-Intensive spaces

Candela Distribution

Vertical Angle	Horizontal Angle					Zonal Lumens
	0	22.5	45	67.5	90	
0	335	335	335	335	335	
5	334	334	334	335	336	33
15	327	329	336	345	350	96
25	313	321	345	372	385	160
35	289	302	334	367	375	207
45	242	242	242	249	239	187
55	177	160	137	129	121	130
65	110	90	63	63	59	75
75	49	30	17	19	18	27
85	6	0	0	0	0	2
90	0	0	0	0	0	
95	19	135	267	280	309	201
105	44	127	270	407	450	274
115	73	109	199	269	292	193
125	98	112	169	223	239	152
135	121	127	153	190	202	123
145	140	143	153	168	176	98
155	154	156	160	164	167	75
165	164	165	167	169	170	48
175	169	169	169	170	170	16
180	170	170	170	170	170	



Coefficients of Utilization (%)

Ceiling: Wall:	80				70				50				0			
	70	50	30	10	70	50	30	10	50	30	10	0	70	50	30	10
0 RCR	77	77	77	77	70	70	70	58	58	58	31					
1	70	68	65	63	64	62	60	51	50	48	27					
2	64	59	55	52	59	54	51	45	43	41	23					
3	59	52	47	43	54	48	44	40	37	34	20					
4	54	46	41	37	49	43	38	36	32	29	17					
5	49	41	36	31	45	38	33	32	28	25	15					
6	46	37	31	27	42	34	29	29	25	22	13					
7	42	33	28	24	38	31	26	26	22	19	12					
8	39	30	25	21	36	28	23	24	20	17	10					
9	36	27	22	19	33	25	21	22	18	15	9					
10	34	25	20	17	31	23	19	20	16	14	8					

Based on a floor reflectance of 0.2

Avg. Luminance (cd/m²)

Vertical Angle	Horizontal Angle		
	0	45	90
55	933	722	638
65	787	451	422
75	572	199	210
85	208	0	0

IES files for this and other photometric options can be downloaded online at www.ledalite.com

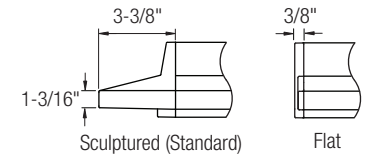
Additional Information

Modules

Module length excludes endcaps.
Nominal mount spacing for individually mounted modules.

Module	Mount Spacing
4ft	4' 0"
8ft	8' 0"

Endcap



Specifications

Due to continuing product improvements, Ledalite reserves the right to change specifications without notice.

Housing

18 gauge die-formed cold-rolled steel, precision formed and welded.

Weight

Maximum 5.5 lb/ft.

Optical System

Optical frame is constructed from 20 gauge die-formed cold-rolled steel. The optical lens assembly consists of flat acrylic panels with a layer of MesoOptics® film that provides high-angle glare control and high efficiency. The panels are secured to a perforated center basket using an acrylic lens. Optical door frame is secured to housing with safety straps. Frame can be removed from housing using a lift-and-shift mechanism. No hardware is visible. Standard distribution is 60% up/ 40% down. Also available in 20% up / 80% down and 100% down distributions.

Endcaps

Available with sculptured die-cast endcaps (standard) or flat die-cast endcaps (optional).

Joints

Self-aligning joining system with hands-free pre-joining wire access.

Mounting

Aircraft cable gripper is tamper-resistant and provides infinite vertical adjustment capability. Aircraft cable, crimp and cable gripper independently tested to meet stringent safety requirements. Continuous run mounting on T-bar grid is limited to 32ft runs, but is unlimited in other ceiling types.

Electrical

Factory pre-wired to section ends with quick-wire connectors.

Ballast

Electronic.

Approvals

Certified to UL and CSA standards.

Finish

High-quality powder coat. Available in Ledalite Standard White only (textured matte finish).