

Voice™

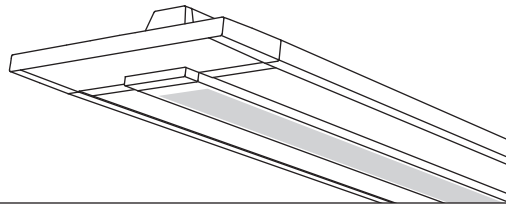


Project Name

Spec Type

Notes

Suspended
 Direct/Indirect
 1 T5HO



Order Guide

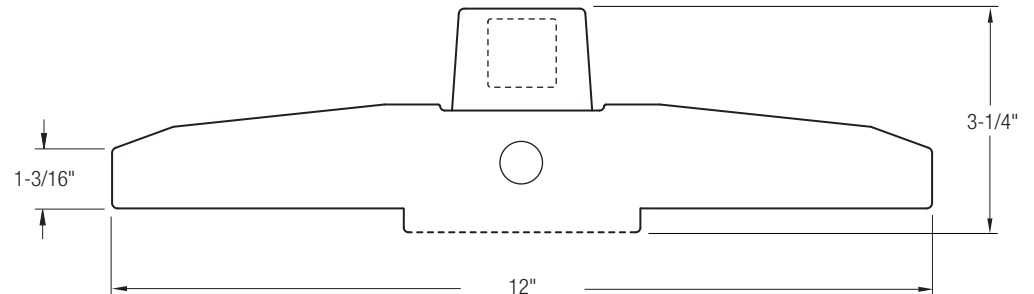
Some combinations of product options may not be available. Consult factory for assistance with your specification.

7306	H01			-		-		-	
Product Series & Type Voice Suspended Direct/ Indirect	Lamping 1 T5HO	Lower Optics I Slot Perf	Upper Optics N 60% Up / 40% Down G 20% Up / 80% Down J 100% Down	Run Length <i>Enter the total run length in feet (4ft increments)</i>	Wiring 1 1 cct 3 1 cct w/ Emergency cct 5 1 cct w/ Battery Pack 7 1 cct Dimming	Voltage 1 120V 2 277V 3 347V	Ballast E Standard Ballast Consult website for ballast manufacturer information	Color & Finish W Standard White	
						Mounting Hardware			
						Mount Type Consult separate mounting spec sheet for mount type options		Suspension Length <i>Enter distance from ceiling to top of fixture in inches</i>	

Upgrades & Accessories

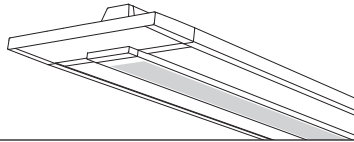
Please indicate with check mark.

<input type="checkbox"/> Lamps Included	<input type="checkbox"/> Lamps Included and Installed
<input type="checkbox"/> Flat Endcap See details on reverse	<input type="checkbox"/> Dust Cover Available with upper optics option N (options G & J include integral dust cover)
<input type="checkbox"/> Response Daylight (Integrated Controls) For details visit www.ledalite.com/response	



Voice™

Suspended
Direct/Indirect
1 T5HO



Photometry

Optics IN 60% Up / 40% Down

Report Summary

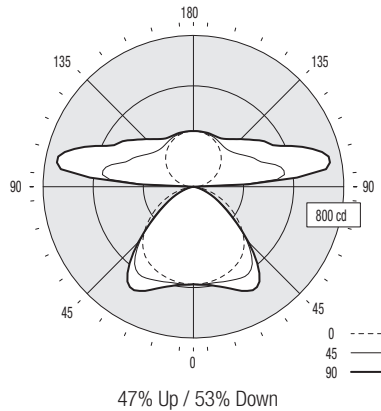
Efficiency 75.1%
Peak Candela Value* 738 @ 100°
Peak to Zenith Ratio* 2.5 : 1

Report # 9900757
Filename 7306H01IN.ies
* Between 90-180° vertical angle

Meets RP-1-04 recommendations for VDT-Intensive spaces

Candela Distribution

Vertical Angle	Horizontal Angle					Zonal Lumens
	0	22.5	45	67.5	90	
0	516	516	516	516	516	
5	515	517	519	520	521	51
15	504	511	523	539	547	150
25	484	499	540	586	608	251
35	448	475	534	596	613	330
45	377	387	400	424	414	308
55	278	259	228	225	215	216
65	179	145	107	106	103	126
75	80	51	28	29	28	46
85	11	0	0	0	0	3
90	0	1	0	0	0	
95	36	217	448	482	553	331
105	77	225	451	647	709	449
115	125	194	357	470	511	338
125	170	197	299	398	428	269
135	209	223	270	334	356	216
145	242	249	268	295	308	171
155	267	271	280	287	292	130
165	285	286	289	293	295	83
175	293	293	294	294	295	28
180	294	294	294	294	294	



Coefficients of Utilization (%)

Ceiling: Walk:	80				70				50				0				
	70	50	30	10	70	50	30	10	50	30	10	0	70	50	30	10	
0 RCR	80	80	80	80	73	73	73	60	60	60	31						
1	73	70	67	65	67	64	62	53	51	50	27						
2	67	62	57	53	61	56	53	47	44	42	23						
3	61	54	49	45	56	50	45	41	38	35	20						
4	56	48	42	38	51	44	39	37	33	30	17						
5	51	43	37	32	47	39	34	33	29	26	15						
6	47	38	32	28	43	35	30	29	25	23	13						
7	44	34	29	24	40	32	27	27	23	20	12						
8	40	31	25	21	37	29	24	24	20	17	10						
9	37	28	23	19	34	26	21	22	18	15	9						
10	35	26	20	17	32	24	19	20	16	14	8						

Based on a floor reflectance of 0.2

Avg. Luminance (cd/m²)

Vertical Angle	Horizontal Angle		
	0	45	90
55	1465	1201	1133
65	1280	765	737
75	934	327	327
85	381	0	0

IES files for this and other photometric options can be downloaded online at www.ledalite.com

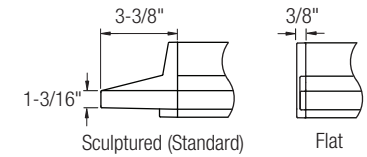
Additional Information

Modules

Module length excludes endcaps.
Nominal mount spacing for individually mounted modules.

Module	Mount Spacing
4ft	4' 0"
8ft	8' 0"

Endcap



Specifications

Due to continuing product improvements, Ledalite reserves the right to change specifications without notice.

Housing

18 gauge die-formed cold-rolled steel, precision formed and welded.

Weight

Maximum 5.5 lb/ft.

Optical System

Optical frame is constructed from 20 gauge die-formed cold-rolled steel. The optical lens assembly consists of flat acrylic panels with a layer of MesoOptics® film that provides high-angle glare control and high efficiency. The panels are secured to a perforated center basket using an acrylic lens. Optical door frame is secured to housing with safety straps. Frame can be removed from housing using a lift-and-shift mechanism. No hardware is visible. Standard distribution is 60% up/ 40% down. Also available in 20% up / 80% down and 100% down distributions.

Endcaps

Available with sculptured die-cast endcaps (standard) or flat die-cast endcaps (optional).

Joints

Self-aligning joining system with hands-free pre-joining wire access.

Mounting

Aircraft cable gripper is tamper-resistant and provides infinite vertical adjustment capability. Aircraft cable, crimp and cable gripper independently tested to meet stringent safety requirements. Continuous run mounting on T-bar grid is limited to 32ft runs, but is unlimited in other ceiling types.

Electrical

Factory pre-wired to section ends with quick-wire connectors.

Ballast

Electronic.

Approvals

Certified to UL and CSA standards.

Finish

High-quality powder coat. Available in Ledalite Standard White only (textured matte finish).