

Voice™

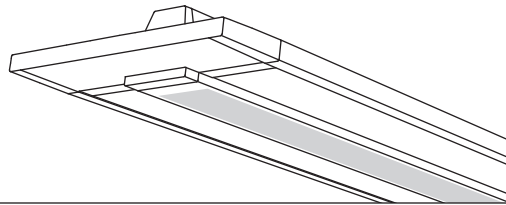


Project Name

Spec Type

Notes

Suspended
 Direct/Indirect
 1 T5HO



Order Guide

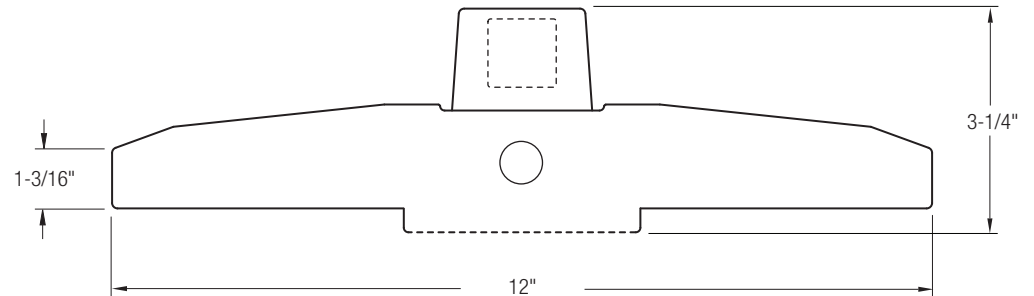
Some combinations of product options may not be available. Consult factory for assistance with your specification.

7306	H01			-		-		-	
Product Series & Type Voice Suspended Direct/ Indirect	Lamping 1 T5HO	Lower Optics I Slot Perf	Upper Optics N 60% Up / 40% Down G 20% Up / 80% Down J 100% Down	Run Length <i>Enter the total run length in feet (4ft increments)</i>	Wiring 1 1 cct 3 1 cct w/ Emergency cct 5 1 cct w/ Battery Pack 7 1 cct Dimming	Voltage 1 120V 2 277V 3 347V	Ballast E Standard Ballast Consult website for ballast manufacturer information	Color & Finish W Standard White	
<h3>Mounting Hardware</h3>									
Mount Type				Suspension Length <i>Enter distance from ceiling to top of fixture in inches</i>					
Consult separate mounting spec sheet for mount type options				Consult website for complete list of standard wiring options					
See details on reverse									

Upgrades & Accessories

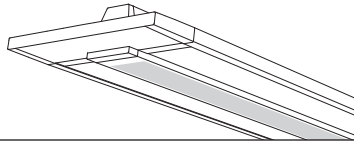
Please indicate with check mark.

<input type="checkbox"/> Lamps Included	<input type="checkbox"/> Lamps Included and Installed
<input type="checkbox"/> Flat Endcap See details on reverse	<input type="checkbox"/> Dust Cover Available with upper optics option N (options G & J include integral dust cover)
<input type="checkbox"/> Response Daylight (Integrated Controls) For details visit www.ledalite.com/response	



Voice™

Suspended
Direct/Indirect
1 T5HO



Photometry Optics IG 20% Up / 80% Down

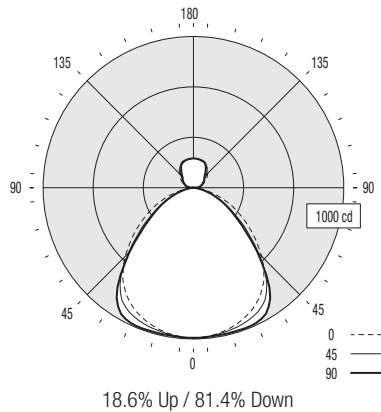
Report Summary

Efficiency 65.8% Report # 9900788
 Peak Candela Value* 194 @ 180° Filename 7306H01IG.ies
 Peak to Zenith Ratio* 1 : 1 * Between 90-180° vertical angle

Meets RP-1-04 recommendations for VDT-Normal spaces

Candela Distribution

Vertical Angle	Horizontal Angle					Zonal Lumens
	0	22.5	45	67.5	90	
0	992	992	992	992	992	
5	988	989	990	991	992	96
15	959	964	971	985	990	276
25	902	912	939	974	987	435
35	801	817	847	885	891	526
45	643	636	612	615	602	478
55	449	423	376	363	350	351
65	280	249	205	205	198	221
75	120	101	79	85	79	99
85	15	14	7	8	6	17
90	0	0	0	0	0	
95	12	18	28	34	37	26
105	46	36	46	51	54	49
115	78	65	64	68	71	68
125	107	102	84	85	87	83
135	133	135	120	106	104	93
145	157	159	159	145	142	96
155	174	175	178	180	181	82
165	186	187	188	188	189	52
175	193	193	193	193	193	19
180	194	194	194	194	194	



Coefficients of Utilization (%)

Ceiling: Walk:	80				70				50				0
	70	50	30	10	70	50	30	10	50	30	10	0	
0 RCR	75	75	75	75	72	72	72	66	66	66	66	53	
1	69	67	64	62	66	64	62	59	57	56	56	46	
2	64	59	55	52	61	57	53	52	49	47	47	39	
3	58	52	47	43	56	50	46	47	43	40	40	34	
4	54	46	41	37	51	45	40	42	38	35	35	29	
5	49	42	36	32	47	40	35	37	33	30	30	26	
6	46	38	32	28	44	36	31	34	30	26	26	23	
7	42	34	29	25	40	33	28	31	27	23	23	20	
8	39	31	26	22	38	30	25	28	24	21	21	18	
9	37	28	23	20	35	28	23	26	22	19	19	16	
10	34	26	21	18	33	25	21	24	20	17	17	15	

Based on a floor reflectance of 0.2

Avg. Luminance (cd/m²)

Vertical Angle	Horizontal Angle		
	0	45	90
55	2366	1981	1844
65	2002	1466	1416
75	1401	923	923
85	520	243	208

IES files for this and other photometric options can be downloaded online at www.ledalite.com

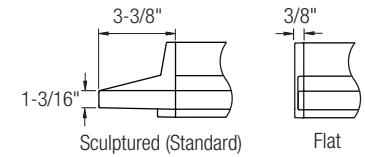
Additional Information

Modules

Module length excludes endcaps.
Nominal mount spacing for individually mounted modules.

Module	Mount Spacing
4ft	4' 0"
8ft	8' 0"

Endcap



Specifications

Due to continuing product improvements, Ledalite reserves the right to change specifications without notice.

Housing

18 gauge die-formed cold-rolled steel, precision formed and welded.

Weight

Maximum 5.5 lb/ft.

Optical System

Optical frame is constructed from 20 gauge die-formed cold-rolled steel. The optical lens assembly consists of flat acrylic panels with a layer of MesoOptics® film that provides high-angle glare control and high efficiency. The panels are secured to a perforated center basket using an acrylic lens. Optical door frame is secured to housing with safety straps. Frame can be removed from housing using a lift-and-shift mechanism. No hardware is visible. Standard distribution is 60% up/ 40% down. Also available in 20% up / 80% down and 100% down distributions.

Endcaps

Available with sculptured die-cast endcaps (standard) or flat die-cast endcaps (optional).

Joints

Self-aligning joining system with hands-free pre-joining wire access.

Mounting

Aircraft cable gripper is tamper-resistant and provides infinite vertical adjustment capability. Aircraft cable, crimp and cable gripper independently tested to meet stringent safety requirements. Continuous run mounting on T-bar grid is limited to 32ft runs, but is unlimited in other ceiling types.

Electrical

Factory pre-wired to section ends with quick-wire connectors.

Ballast

Electronic.

Approvals

Certified to UL and CSA standards.

Finish

High-quality powder coat. Available in Ledalite Standard White only (textured matte finish).