

Voice™



Project Name

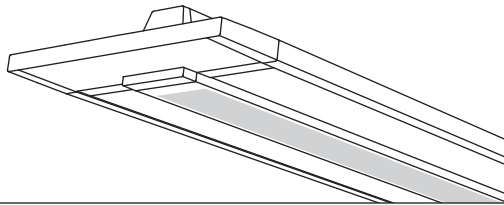
Spec Type

Notes

Surface

Direct/Indirect

3 T8



Order Guide

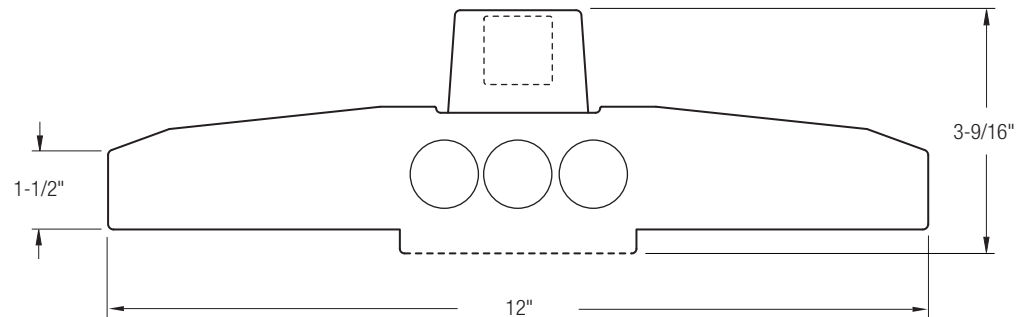
Some combinations of product options may not be available. Consult factory for assistance with your specification.

7316	T03			-		-		-			
Product Series & Type Voice Surface Direct/ Indirect	Lamping 3 T8	Lower Optics I Slot Perf	Upper Optics N 60% Up / 40% Down G 20% Up / 80% Down J 100% Down	Run Length <i>Enter the total run length in feet (4ft increments)</i>	Wiring 1 1 cct 2 2 cct 3 1 cct w/ Emergency cct 4 2 cct w/ Emergency cct 5 1 cct w/ Battery Pack 6 2 cct w/ Battery Pack 7 1 cct Dimming	Voltage 1 120V 2 277V 3 347V	Ballast E Standard Ballast Consult website for ballast manufacturer information	Color & Finish W Standard White	Mounting Hardware <input type="text"/> SF Non-Accessible Ceiling (default if left blank) S61 T-Bar, on Grid (15/16") S62 T-Bar, on Grid (9/16") S63 T-Bar, on Grid (9/16" Slot)		
				See details on reverse	Consult website for complete list of standard wiring options					See details on reverse	

Upgrades & Accessories

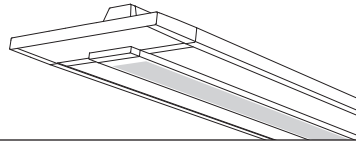
Please indicate with check mark.

- | | |
|----------------------------------------------------------------------------------------------------------------------------------------------------------------|-------------------------------------------------------------------------------------------------------------------------|
| <input type="checkbox"/> Lamps Included | <input type="checkbox"/> Lamps Included and Installed |
| <input type="checkbox"/> Flat Endcap
See details on reverse | <input type="checkbox"/> Dust Cover
Available with upper optics option N (options G & J include integral dust cover) |
| | |
| <input type="checkbox"/> Response Daylight (Integrated Controls)
For details visit www.ledalite.com/response | |



Voice™

Surface
Direct/Indirect
3 T8



Photometry Optics IN 60% Up / 40% Down

Report Summary

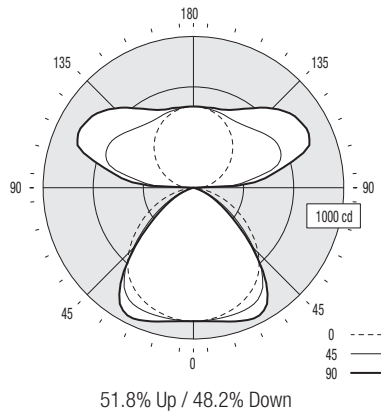
Efficiency 59.9%
Peak Candela Value* 848 @ 118°
Peak to Zenith Ratio* 1.6 : 1

Report # 9900802
Filename 7306T03IN.ies
* Between 90-180° vertical angle

Meets RP-1-04 recommendations for VDT-Normal spaces

Candela Distribution

Vertical Angle	Horizontal Angle					Zonal Lumens
	0	22.5	45	67.5	90	
0	883	883	883	883	883	
5	880	881	882	884	886	86
15	856	862	881	903	916	251
25	812	828	875	929	953	406
35	737	756	804	856	860	496
45	609	597	568	569	549	445
55	443	394	321	287	268	305
65	285	219	135	118	108	166
75	133	68	14	5	0	47
85	16	0	0	0	0	4
90	0	1	0	1	0	0
95	76	191	318	368	408	276
105	141	359	579	659	687	520
115	220	374	630	795	846	576
125	299	385	602	773	824	519
135	371	418	552	694	740	431
145	434	455	523	606	639	334
155	483	493	520	552	567	243
165	517	519	528	540	545	150
175	534	535	536	537	537	52
180	537	537	537	537	537	



Coefficients of Utilization (%)

Ceiling: Wall:	80				70				50				0
	70	50	30	10	70	50	30	10	50	30	10	0	
0 RCR	63	63	63	63	57	57	57	47	47	47	24		
1	58	56	53	51	53	51	49	42	41	39	21		
2	53	49	45	43	48	45	42	37	35	33	19		
3	48	43	39	36	44	40	36	33	30	28	16		
4	44	38	34	30	40	35	31	29	26	24	14		
5	41	34	29	26	37	31	27	26	23	21	12		
6	38	31	26	23	34	28	24	24	20	18	11		
7	35	28	23	20	32	25	21	21	18	16	9		
8	32	25	20	17	29	23	19	19	16	14	8		
9	30	23	18	15	27	21	17	18	15	13	8		
10	28	21	17	14	25	19	15	16	13	11	7		

Based on a floor reflectance of 0.2

Avg. Luminance (cd/m²)

Vertical Angle	Horizontal Angle		
	0	45	90
55	2334	1692	1412
65	2038	965	772
75	1553	163	0
85	555	0	0

IES files for this and other photometric options can be downloaded online at www.ledalite.com

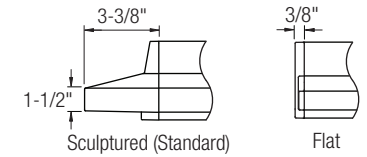
Additional Information

Modules

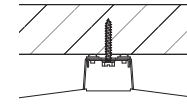
Module length excludes endcaps.
Nominal mount spacing for individually mounted modules.

Module	Mount Spacing
4ft	4' 0"
8ft	8' 0"

Endcap

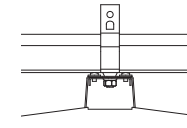


Mounting Hardware



Non-Accessible Ceilings (Standard)

Mounting hardware supplied by others

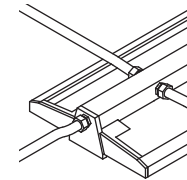


T-Bar (Requires Optional Mount Kit)

Caddy clip supplied by Ledalite

Power Feed Locations

Multiple power feed locations available at fixture ends.



Wiring options for non-accessible ceilings shown. Additional top knockout can be used with T-Bar ceilings.

Specifications

Due to continuing product improvements, Ledalite reserves the right to change specifications without notice.

Housing

18 gauge die-formed cold-rolled steel, precision formed and welded.

Weight

Maximum 5.5 lb/ft.

Optical System

Optical frame is constructed from 20 gauge die-formed cold-rolled steel. The optical lens assembly consists of flat acrylic panels with a layer of MesoOptics® film that provides high-angle glare control and high efficiency. The panels are secured to a perforated center basket using an acrylic lens. Optical door frame is secured to housing with safety straps. Frame can be removed from housing using a lift-and-shift mechanism. No hardware is visible. Standard distribution is 60% up/ 40% down. Also available in 20% up / 80% down and 100% down distributions.

Endcaps

Available with sculptured die-cast endcaps (standard) or flat die-cast endcaps (optional).

Joints

Self-aligning joining system with hands-free pre-joining wire access.

Mounting

Fixtures can be mounted directly to most common ceiling types, including T-bar grid and non-accessible ceilings. Wire access is available from top, side and ends. Continuous run mounting is limited to 32ft on T-bar grid but unlimited in other ceiling types.

Electrical

Factory pre-wired to section ends with quick-wire connectors.

Ballast

Electronic.

Approvals

Certified to UL and CSA standards.

Finish

High-quality powder coat. Available in Ledalite Standard White only (textured matte finish).