

Project Name

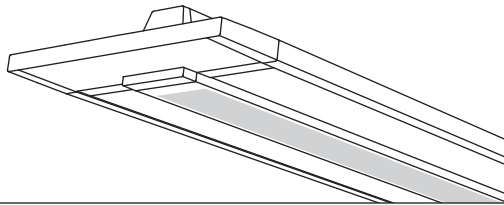
Spec Type

Notes

Surface

Direct/Indirect

2 T8




Order Guide

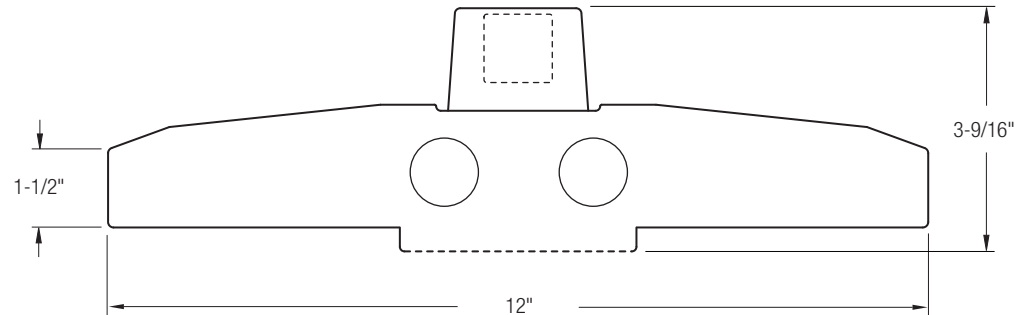
Some combinations of product options may not be available. Consult factory for assistance with your specification.

7316	T02			-		-		-			
Product Series & Type Voice Surface Direct/ Indirect	Lamping 2 T8	Lower Optics I Slot Perf	Upper Optics N 60% Up / 40% Down G 20% Up / 80% Down J 100% Down	Run Length <i>Enter the total run length in feet (4ft increments)</i>	Wiring 1 1 cct 2 2 cct 3 1 cct w/ Emergency cct 4 2 cct w/ Emergency cct 5 1 cct w/ Battery Pack 6 2 cct w/ Battery Pack 7 1 cct Dimming	Voltage 1 120V 2 277V 3 347V	Ballast E Standard Ballast Consult website for ballast manufacturer information	Color & Finish W Standard White	<h3>Mounting Hardware</h3> <input type="text"/> SF Non-Accessible Ceiling (default if left blank) S61 T-Bar, on Grid (15/16") S62 T-Bar, on Grid (9/16") S63 T-Bar, on Grid (9/16" Slot)		
				See details on reverse	Consult website for complete list of standard wiring options					See details on reverse	

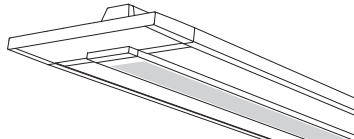
Upgrades & Accessories

Please indicate with check mark.

<input type="checkbox"/> Lamps Included	<input type="checkbox"/> Lamps Included and Installed
<input type="checkbox"/> Flat Endcap See details on reverse	<input type="checkbox"/> Dust Cover Available with upper optics option N (options G & J include integral dust cover)
<input type="checkbox"/> Response Daylight (Integrated Controls) For details visit www.ledalite.com/response	



Surface
Direct/Indirect
2 TB



Photometry Optics IN 60% Up / 40% Down

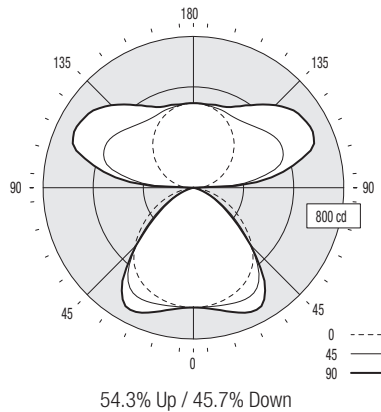
Report Summary

Efficiency 71.8% **Report #** 9900797
Peak Candela Value* 701 @ 115° **Filename** 7306T02IN.ies
Peak to Zenith Ratio* 1.6 : 1 *** Between 90-180° vertical angle**

Meets RP-1-04 recommendations for VDT-Normal spaces

Candela Distribution

Vertical Angle	Horizontal Angle					Zonal Lumens
	0	22.5	45	67.5	90	
0	634	634	634	634	634	62
5	632	632	634	636	638	183
15	617	622	642	663	677	301
25	587	603	652	703	725	375
35	534	556	606	657	665	432
45	439	436	431	441	432	233
55	320	287	244	231	219	132
65	204	159	109	104	99	41
75	92	52	20	19	14	2
85	11	0	0	0	0	233
90	0	0	0	1	0	440
95	56	165	273	303	337	473
105	115	288	478	565	599	430
115	180	306	518	655	701	356
125	245	318	498	639	682	277
135	307	345	458	577	617	202
145	358	378	434	506	532	124
155	401	409	432	457	471	44
165	430	432	439	449	454	447
175	445	445	446	447	447	447
180	447	447	447	447	447	



Coefficients of Utilization (%)

Ceiling/Wall:	80				70				50				0
	70	50	30	10	70	50	30	10	50	30	10	0	
0 RCR	75	75	75	75	68	68	68	55	55	55	28		
1	69	66	64	61	63	60	58	49	48	46	24		
2	63	58	54	51	57	53	50	44	41	39	21		
3	58	51	46	42	52	47	43	39	36	33	18		
4	53	45	40	36	48	42	37	34	31	28	16		
5	49	41	35	31	44	37	32	31	27	24	14		
6	45	36	31	27	40	33	28	28	24	21	12		
7	41	33	27	23	37	30	25	25	21	19	11		
8	38	30	24	20	35	27	22	23	19	16	9		
9	35	27	22	18	32	25	20	21	17	15	8		
10	33	25	20	16	30	23	18	19	16	13	8		

Based on a floor reflectance of 0.2

Avg. Luminance (cd/m²)

Vertical Angle	Horizontal Angle		
	0	45	90
55	1686	1286	1154
65	1459	780	708
75	1074	234	163
85	381	0	0

IES files for this and other photometric options can be downloaded online at www.ledalite.com

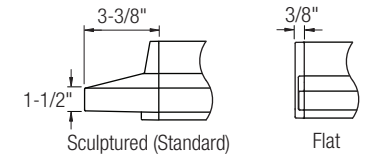
Additional Information

Modules

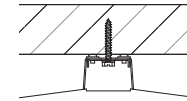
Module length excludes endcaps.
Nominal mount spacing for individually mounted modules.

Module	Mount Spacing
4ft	4' 0"
8ft	8' 0"

Endcap

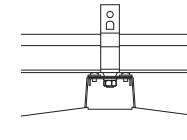


Mounting Hardware



Non-Accessible Ceilings (Standard)

Mounting hardware supplied by others

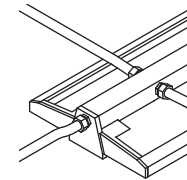


T-Bar (Requires Optional Mount Kit)

Caddy clip supplied by Ledalite

Power Feed Locations

Multiple power feed locations available at fixture ends.



Wiring options for non-accessible ceilings shown. Additional top knockout can be used with T-Bar ceilings.

Specifications

Due to continuing product improvements, Ledalite reserves the right to change specifications without notice.

Housing

18 gauge die-formed cold-rolled steel, precision formed and welded.

Weight

Maximum 5.5 lb/ft.

Optical System

Optical frame is constructed from 20 gauge die-formed cold-rolled steel. The optical lens assembly consists of flat acrylic panels with a layer of MesoOptics® film that provides high-angle glare control and high efficiency. The panels are secured to a perforated center basket using an acrylic lens. Optical door frame is secured to housing with safety straps. Frame can be removed from housing using a lift-and-shift mechanism. No hardware is visible. Standard distribution is 60% up/ 40% down. Also available in 20% up / 80% down and 100% down distributions.

Endcaps

Available with sculptured die-cast endcaps (standard) or flat die-cast endcaps (optional).

Joints

Self-aligning joining system with hands-free pre-joining wire access.

Mounting

Fixtures can be mounted directly to most common ceiling types, including T-bar grid and non-accessible ceilings. Wire access is available from top, side and ends. Continuous run mounting is limited to 32ft on T-bar grid but unlimited in other ceiling types.

Electrical

Factory pre-wired to section ends with quick-wire connectors.

Ballast

Electronic.

Approvals

Certified to UL and CSA standards.

Finish

High-quality powder coat. Available in Ledalite Standard White only (textured matte finish).