



# Linear

## Verge Wall

4400 lm/4ft 65% Up, Asym.  
3000/3500/4000K



Project: \_\_\_\_\_  
Spec Type: \_\_\_\_\_  
Catalog No: 7608LxCQN  
Qty: \_\_\_\_\_  
Line Notes: \_\_\_\_\_

Elegant from any angle, Verge delivers exceptional direct/indirect lighting performance in a sleek, geometric design. Offering luminous aesthetics with excellent glare control, Verge is the ideal choice for a wide range of energy-conscious applications.

### Ordering guide

Product Type	Source	Color Temp *	Lumens *	Lower Optics	Upper Optics	Run Length	Wiring †	Voltage	Driver	Finish
7608	L		C	Q	N					
Verge Wall Direct/Ind	L LED	A 4000K B 3500K C 3000K	C 4400 lm/4ft E 3400 lm/4ft G 2300 lm/4ft	Q MesoOptics Lens	N Lightguide	04 4' 08 8' XX Total run length (4' increments)	7 1 cct Dimming E 2 cct A/B Dimming M 1 cct Dimming + EM Wiring N 1 cct Dimming + EM Batt. Pack	1 120V 2 277V 3 347V	E Philips Advance 0-10V (1% dim)	W Standard White T Titanium Silver B Black C Custom

\* Nominal values within a range. Down kits reduce output & efficacy. Consult photometry data for color temp, lumens & distribution of chosen configuration.  
† Not all wiring types are available with all configurations. Consult Philips Ledalite for a complete list of available options.

### Mounting Hardware

**Mount Type**  
Consult separate mounting spec sheet for mount type options

Endcaps -



# Verge Wall

4400 lm/4ft 65% Up, Asym.

3000/3500/4000K

## Optical System

The optical system contains arrays of LEDs edge-lighting a low profile light-guide panel, using total internal reflection to homogenize the sources. The microstructured surface of the panel optimizes light extraction to create an efficacious direct/indirect distribution. Light is purified and controlled by MesoOptics film as it passes through a non-glare acrylic lens. Standard distribution is 75% up / 25% down for suspended and 65% up / 35% down for wall mount version.

## Endcaps

Diecast aluminum endcaps, sculpted to match angled profile.

## Finish

Standard finish is a textured matte powder coat in white, black or titanium silver.

## Housing

Precision formed 18 gauge cold-rolled steel.

## Weight

Maximum: Suspended 3.75lb/ft & Wall 3.0lb/ft.

## Electrical

Factory pre-wired to section ends with quick-wire connectors.

## Standard Driver

Philips Advance Xitanium 0-10V, 1-100%. Class 2 rated output. Consult Philips Ledalite for other available drivers.

## Standard Battery Pack

Philips Bodine, 90 min, 10W, Class 2 rated output. Emergency lumen output = 10W x luminaire efficacy x 1.1. Typical output: 1100lm.

## Lumen Maintenance

LEDs have been tested by the manufacturer in accordance with IESNA LM-80-08. At an ambient temperature of 25°C, the LED lumen maintenance expectation according to IES TM-21-11 is: L<sub>80</sub> (12k) >72,000 hrs (**Reported** methodology).

## Source Color

LEDs rated for color rendering CRI >80 and fixture to fixture color accuracy within 2 SDCM.

## Controls

Suspended version available with the following integrated controls:  
Response daylight sensor (for single zone).

## Mounting

**Suspended:** Tamper-resistant aircraft cable gripper provides unlimited vertical adjustment. Aircraft cable, crimp and cable gripper are independently tested to meet stringent safety requirements.

**Wall:** Fixture is mounted flush to wall using hidden wall brackets which attach to existing structure, variable within 2"-5" of end or joint.

## Joints

Self-aligning joining system with hands-free pre-joining wire access.

## Approvals

Certified to UL, CSA and IES standards. Certain suspended versions without down kits are DesignLights Consortium® qualified. Please see the DLC QPL list for exact catalog numbers ([www.designlights.org/QPL](http://www.designlights.org/QPL)).

## Warranty

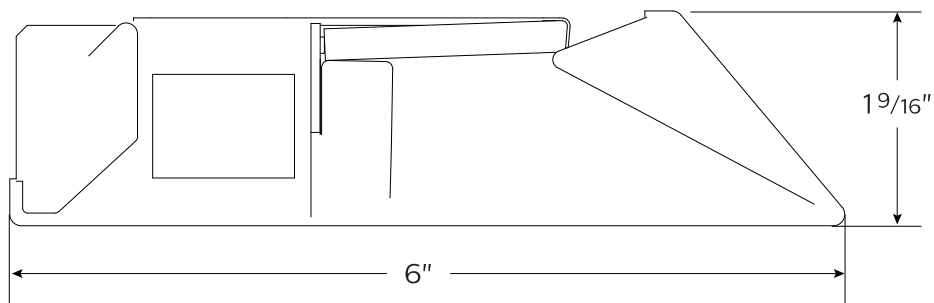
Philips indoor professional luminaires 5 year LED warranty: [www.philips.com/warranties](http://www.philips.com/warranties).

## Environment

Rated for dry or damp locations in operating ambient temperatures 0-40°C (32-104°F). Certain luminaire components may be adversely affected by contaminants. Damage caused by sulfur, chlorine, petroleum based solutions or other contaminants are not covered under warranty. Not suitable for natatorium environments.

Due to continuing product improvements, Philips Ledalite reserves the right to change the specifications without notice.

## Dimensions - Cross Section



# Verge Wall

4400 lm/4ft 65% Up, Asym.

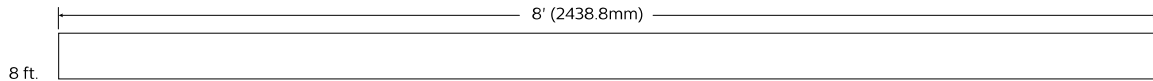
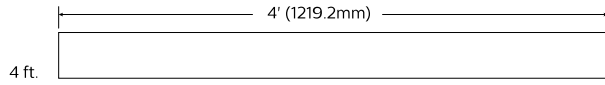
3000/3500/4000K

---

## Dimensions - Modules

### Modules

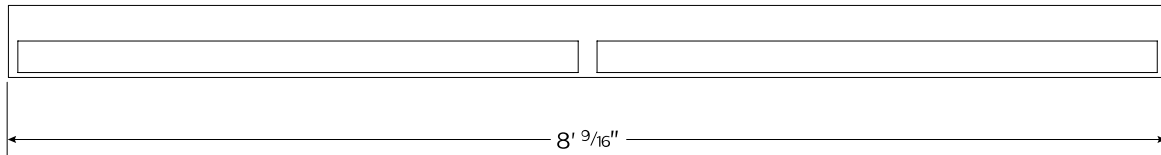
Module length excludes end caps. Nominal mounting spacing for individually mounted modules.



Note: Refer to installation instructions for exact mount.

## Optics and Styles

### Lens view



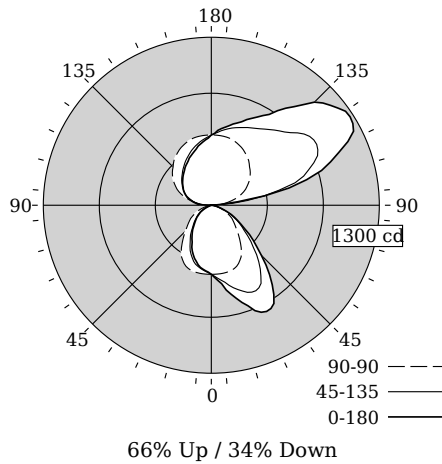
Wall  
(without endcaps)

# Verge Wall

4400 lm/4ft 65% Up, Asym.

3000/3500/4000K

## Photometry - 3500K



### Candela Distribution

Vertical Angle	Horizontal Angle				Zonal Lumens
	0	45	90	135	
0	535	535	535	535	0
5	584	567	535	514	52
15	745	661	531	472	160
25	914	742	498	387	261
35	844	669	404	280	302
45	547	459	287	189	260
55	312	289	204	123	193
65	172	163	128	58	39
75	60	61	52	0	45
85	8	8	7	0	8
90	0	0	0	1	0
95	71	161	73	90	110
105	764	671	192	164	373
115	1166	907	293	227	516
125	1268	929	365	275	517
135	1128	802	418	321	439
145	893	719	473	370	344
155	742	664	512	422	251
165	651	619	538	475	154
175	582	566	544	520	58
180	544	544	544	544	0

Values per 4ft unit

Fixture photometry has been conducted in accordance with IESNA LM-79-08

IES files for this and other photometric options can be downloaded online at [www.lightingproducts.philips.com](http://www.lightingproducts.philips.com)

### Coefficients of Utilization (%)

RCR	Ceiling										
	70	50	30	10	70	50	30	50	30	10	0
0	103	103	103	103	93	93	93	74	74	74	34
1	95	91	87	84	85	82	79	66	64	62	29
2	86	80	74	69	78	72	67	58	55	52	25
3	79	70	63	58	71	64	58	51	47	44	22
4	72	62	55	49	65	57	50	46	41	38	19
5	66	55	48	42	60	50	44	41	36	33	17
6	61	50	42	36	55	45	39	37	32	28	15
7	57	45	37	32	51	41	34	34	29	25	13
8	52	41	33	28	47	37	31	31	26	22	12
9	49	37	30	25	44	34	28	28	23	20	11
10	45	34	27	22	41	31	25	26	21	18	10

### Avg. Luminance (cd/m2)

Vertical Angle	Horizontal Angle		
	0	90	180
55	6879	4498	2456
65	5129	3817	1176
75	2924	2547	0
85	1089	946	0

### Distribution

Hemisphere	66% Up / 34% Down
Peak/Zenith	2.34
Peak Output	1274 cd
Glare Control	Meets RP-1-12 recommendations for VDT-Normal spaces

# Verge Wall

4400 lm/4ft 65% Up, Asym.

3000/3500/4000K

## Optical Performance

Nominal CCT:	3000K	3500K	4000K
Flux (lm)	3979	4156	4274
Efficacy (lm/W)	90.0	94.5	97.4
Power (W)	44.2	44.0	43.9
CCT (K)	3045	3312	3931
CRI	84	82	83
R9	10	-1	5
x	0.4338	0.4167	0.3849
y	0.4031	0.3968	0.3837
Duv	0.0000	0.0000	0.0020

## Electrical Performance - 3500K

Input Voltage	120V	277V	347V
Input Power	44.0W	43.8W	44.3W
Input Current	0.37A	0.16A	0.13A
Power Factor	0.993	0.972	0.970
Total Harm. Distortion	8.0%	10.3%	9.0%

Tested values . contact technical support for rated values. Off-state power zero unless certain controls are specified.

