



Recessed

Vectra

2'x2', 4400 lm
3000/3500/4000K



Project: _____
 Spec Type: _____
 Catalog No: 9722DxxxLx44 _____
 Qty _____
 Line Notes: _____

Vectra combines distinctive styling with Ledalite's revolutionary MesoOptics technology to bring the best of nature's luminous aesthetics to indoor environments.

Ordering guide

Product Type	Version	Configuration	Light Source *	CRI/CCT	Lumens *	Housing	Wiring †	Voltage	Driver
9722			L		44				
Vectra 2'x2'	D1 Standard T Grid D2 Slot T Grid A1 Air Return on Standard T Grid A2 Air Return on Slot T Grid	ST Standalone CR Continuous Row	L LED	A 4000K B 3500K C 3000K	36 3600 lumens 17 17W 44 4400 lumens 24 24W	S Standard C Chicago Plenum	7 1 cct Dimming N 1 cct Dimming + EM Batt. Pack T 1 cct Step Dimming	1 120V 2 277V 3 347V	E Philips Advance 0-10V (1% dim)

* Nominal values within a range. Consult photometry data for CRI, color temp, lumens & distribution of chosen configuration.
 † Not all wiring types are available with all configurations. Consult Philips Ledalite for a complete list of available options.

Upgrades & Accessories Please indicate with check mark.

- Flex Whip (6' length)
- Drywall Kit

Integrated Controls Please indicate with check mark.

- Response Daylight Single Zone (DS)



Vectra

2'x2', 4400 lm

3000/3500/4000K

Optical System

The optical frame assembly consists of an acrylic panel with a layer of protected MesoOptics film which efficiently provides a luminous, controlled, low glare 3-dimensional batwing distribution. The optical frame ends are constructed from die-formed cold-rolled steel assembled together with extruded aluminum profiles in a sturdy frame. The frame is hinged to allow easy access to the inside of the fixture. Maintenance can be performed from below the ceiling.

Housing

Die-formed, post-painted, 22 gauge cold-rolled steel housing. Multiple wire entrances are available (top or side) to allow continuous row mounting of fixtures. Optional frame restraint is available to provide additional safety support.

Mounting

Compatible with lay-in acoustical ceilings using an exposed 9/16", 15/16" or slot T-grid suspension system (NEMA types G, NFG & NFGS). Integral mounting tabs are provided which handle different T-grid heights.

Finish

Housing and Frame: Post-painted, high quality powder coat. Available in white only.

Weight

Maximum 25lb.

Electrical

LED boards are easily field replaceable. Fixtures are factory pre-wired and tested for all circuits. Driver access from below the ceiling. Optional armored cable flex whips are supplied in 6' lengths.

Standard Driver

Philips Advance Xitanium 0-10V, 1-100%. Class 2 rated output. Consult Philips Ledalite for other available drivers.

Standard Battery Pack

Philips Bodine, 90 min, 10W, Class 2 rated output. Emergency lumen output = 10W x luminaire efficacy x 1.1. Typical output: 900lm.

Lumen Maintenance

LEDs have been tested by the manufacturer in accordance with IESNA LM-80-08. At an ambient temperature of 25°C, the LED lumen maintenance expectation according to IES TM-21-11 Reported methodology is $L_{70}(12k) > 52,000$ hrs.

Source Color

LEDs rated for standard color rendering CRI >80, R9 >0 and fixture to fixture color accuracy within 3 SDCM.

Controls

Available with integrated Response Daylight sensor, which dims the luminaire when daylight is present. Contact Philips Ledalite for additional functionality.

Approvals

Certified to UL, IES & CSA Standards. City of Chicago Approved CCEA (housing option C). Type IC Rated.

Warranty

Five-year luminaire limited warranty including LED boards and driver. www.philips.com/warranties.

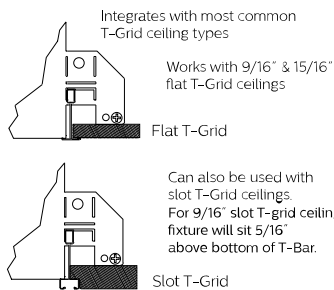
Environment

Rated for dry or damp locations in operating ambient temperatures of 0-25°C (32-77°F). Many luminaire components, such as reflectors, refractors, lenses, sockets, lamp holders, and LEDs are made from various types of plastics which can be adversely affected by airborne contaminants. If sulfur based chemicals, petroleum based products, cleaning solutions, or other contaminants are expected in the intended area of use, consult factory for compatibility. Damage caused by sulfur, chlorine, petroleum based solution or other contaminants are not covered under warranty. Not suitable for natatorium environments.

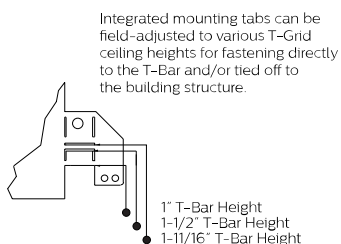
Due to continuing product improvements, Philips Ledalite reserves the right to change the specifications without notice.

Options and Details

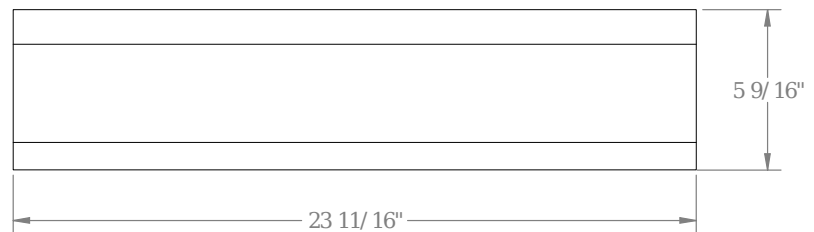
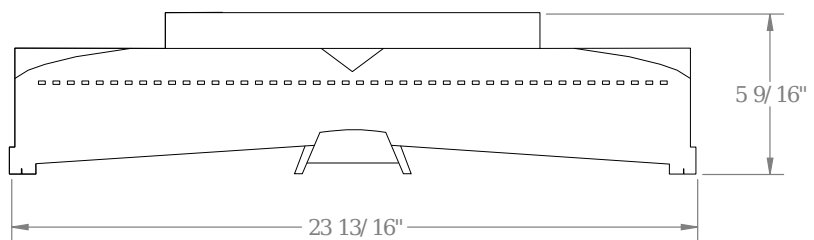
Mounting



Ceiling types



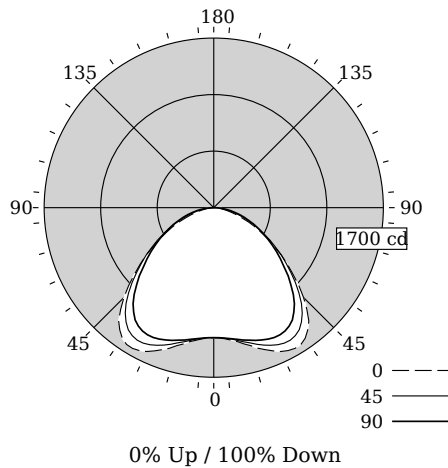
Cross Section



Vectra

2'x2', 4400 lm
3000/3500/4000K

Photometry @ CRI>80, 3500K



Candela Distribution

Vertical Angle	Horizontal Angle					Zonal Lumens
	0	22.5	45	67.5	90	
0	1303	1303	1303	1303	1303	0
5	1320	1315	1316	1312	1313	127
15	1432	1424	1403	1384	1375	400
25	1591	1566	1516	1458	1436	699
35	1598	1572	1494	1408	1374	925
45	1273	1259	1207	1132	1093	920
55	825	835	827	796	768	728
65	458	474	493	499	492	485
75	187	212	241	263	268	253
85	37	53	66	75	75	72
90	0	0	0	0	0	0
95	0	0	0	0	0	0
105	0	0	0	0	0	0
115	0	0	0	0	0	0
125	0	0	0	0	0	0
135	0	0	0	0	0	0
145	0	0	0	0	0	0
155	0	0	0	0	0	0
165	0	0	0	0	0	0
175	0	0	0	0	0	0
180	0	0	0	0	0	0

Fixture photometry has been conducted in accordance with IESNA LM-79-08

IES files for this and other photometric options can be downloaded online at www.lightingproducts.philips.com

Coefficients of Utilization (%)

RCR	Ceiling		80		70		50		0		
	Wall	70	50	30	10	70	50	30	10	0	
0	119	119	119	119	116	116	116	111	111	111	100
1	109	105	100	97	106	102	99	98	95	92	85
2	100	92	85	79	97	90	84	86	81	77	71
3	91	81	73	66	88	79	72	76	70	64	60
4	83	71	63	56	81	70	62	68	61	55	51
5	76	64	55	48	74	63	54	61	53	47	44
6	71	57	48	42	69	56	48	55	47	41	39
7	65	52	43	37	64	51	43	49	42	37	34
8	61	47	39	33	59	46	38	45	38	32	30
9	57	43	35	29	55	43	35	41	34	29	27
10	53	40	32	26	52	39	32	38	31	26	24

Avg. Luminance (cd/m2)

Vertical Angle	Horizontal Angle		
	0	45	90
55	4605	4616	4287
65	3470	3735	3727
75	2313	2981	3315
85	1359	2425	2755

Distribution Summary

Hemisphere	0% Up / 100% Down
Spacing Along (0°)	1.7
Spacing Across (90°)	1.55

Philips Ledalite

LED lighting facts
A Program of the U.S. DOE

Light Output (Lumens) **4608**

Watts **55.3**

Lumens per Watt (Efficacy) **83**

Color Accuracy **83**
Color Rendering Index (CRI)

Light Color **3500 (Bright White)**
Correlated Color Temperature (CCT)

2700K 3000K 4500K 6500K

All results are according to IESNA LM-79-2008: *Approved Method for the Electrical and Photometric Testing of Solid-State Lighting*. The U.S. Department of Energy (DOE) verifies product test data and results.

Visit www.lightingfacts.com for the Label Reference Guide.

Registration Number: F46Z-14221F (2/7/2012)
Model Number: 9*22D**LB44
Type: Surface-mounted or recessed troffers

Vectra

2'x2', 4400 lm

3000/3500/4000K

Optical Performance

Flux (lm)	4571	4608	4358
Efficacy (lm/W)	83.0	83.3	79.2
Power (W)	55.1	55.3	55.0
CCT (K)	3985	3470	3071
CRI	83	83	83
R9	24	22	20
x	0.3837	0.4108	0.4356
y	0.3866	0.4017	0.4103
Duv	0.0040	0.0040	0.0030

Electrical Performance @ CRI>80, 3500K

Input Voltage	120V	347V
Input Power	55.3W	47.2W
Input Current	0.46A	0.14A
Power Factor	0.994	0.980
Total Harm. Distortion		7.0%
Tested values – contact technical support for rated values. Off-state power zero unless certain controls are specified.		

© 2018 Philips Lighting Holding B.V. All rights reserved. Philips reserves the right to make changes in specifications and/or to discontinue any product at any time without notice or obligation and will not be liable for any consequences resulting from the use of this publication.

www.philips.com/luminaires

Vectra2x2_44lm 03.18 page 4 of 4



Philips Lighting, North America Corporation
200 Franklin Square Drive, Somerset, NJ 08873
Tel. 855-486-2216

Philips Lighting Canada Ltd.,
281 Hillmount Rd, Markham, ON, Canada L6C 2S3
Tel. 800-668-9008