



Recessed

Vectra

2'x2', 3600 lm
3000/3500/4000K



Project: _____
 Spec Type: _____
 Catalog No: 9722DxxxLx36 _____
 Qty _____
 Line Notes: _____

Vectra combines distinctive styling with Ledalite's revolutionary MesoOptics technology to bring the best of nature's luminous aesthetics to indoor environments.

Ordering guide

Product Type	Version	Configuration	Light Source *	CRI/CCT	Lumens *	Housing	Wiring †	Voltage	Driver
9722			L		36				
Vectra 2'x2'	D1 Standard T Grid D2 Slot T Grid A1 Air Return on Standard T Grid A2 Air Return on Slot T Grid	ST Standalone CR Continuous Row	L LED	A 4000K B 3500K C 3000K	36 3600 lumens 17 17W 44 4400 lumens 24 24W	S Standard C Chicago Plenum	7 1 cct Dimming N 1 cct Dimming + EM Batt. Pack T 1 cct Step Dimming	1 120V 2 277V 3 347V	E Philips Advance 0-10V (1% dim)

* Nominal values within a range. Consult photometry data for CRI, color temp, lumens & distribution of chosen configuration.
 † Not all wiring types are available with all configurations. Consult Philips Ledalite for a complete list of available options.

Upgrades & Accessories Please indicate with check mark.

- Flex Whip (6' length)
- Drywall Kit

Integrated Controls Please indicate with check mark.

- Response Daylight Single Zone (DS)



Vectra

2'x2', 3600 lm

3000/3500/4000K

Optical System

The optical frame assembly consists of an acrylic panel with a layer of protected MesoOptics film which efficiently provides a luminous, controlled, low glare 3-dimensional batwing distribution. The optical frame ends are constructed from die-formed cold-rolled steel assembled together with extruded aluminum profiles in a sturdy frame. The frame is hinged to allow easy access to the inside of the fixture. Maintenance can be performed from below the ceiling.

Housing

Die-formed, post-painted, 22 gauge cold-rolled steel housing. Multiple wire entrances are available (top or side) to allow continuous row mounting of fixtures. Optional frame restraint is available to provide additional safety support.

Mounting

Compatible with lay-in acoustical ceilings using an exposed 9/16", 15/16" or slot T-grid suspension system (NEMA types G, NFG & NFGS). Integral mounting tabs are provided which handle different T-grid heights.

Finish

Housing and Frame: Post-painted, high quality powder coat. Available in white only.

Weight

Maximum 25lb.

Electrical

LED boards are easily field replaceable. Fixtures are factory pre-wired and tested for all circuits. Driver access from below the ceiling. Optional armored cable flex whips are supplied in 6' lengths.

Standard Driver

Philips Advance Xitanium 0-10V, 1-100%. Class 2 rated output. Consult Philips Ledalite for other available drivers.

Standard Battery Pack

Philips Bodine, 90 min, 10W, Class 2 rated output, Emergency lumen output = 10W x luminaire efficacy x 1.1. Typical output: 900lm.

Lumen Maintenance

LEDs have been tested by the manufacturer in accordance with IESNA LM-80-08. At an ambient temperature of 25°C, the LED lumen maintenance expectation according to IES TM-21-11 Reported methodology is $L_{70}(12k) > 52,000$ hrs.

Source Color

LEDs rated for standard color rendering CRI >80, R9 >0 and fixture to fixture color accuracy within 3 SDCM.

Controls

Available with integrated Response Daylight sensor, which dims the luminaire when daylight is present. Contact Philips Ledalite for additional functionality.

Approvals

Certified to UL, IES & CSA Standards. City of Chicago Approved CCEA (housing option C). Type IC Rated.

Warranty

Five-year luminaire limited warranty including LED boards and driver. www.philips.com/warranties.

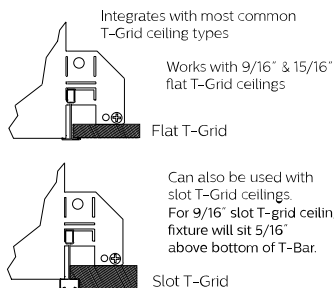
Environment

Rated for dry or damp locations in operating ambient temperatures of 0-25°C (32-77°F). Many luminaire components, such as reflectors, refractors, lenses, sockets, lamp holders, and LEDs are made from various types of plastics which can be adversely affected by airborne contaminants. If sulfur based chemicals, petroleum based products, cleaning solutions, or other contaminants are expected in the intended area of use, consult factory for compatibility. Damage caused by sulfur, chlorine, petroleum based solution or other contaminants are not covered under warranty. Not suitable for natatorium environments.

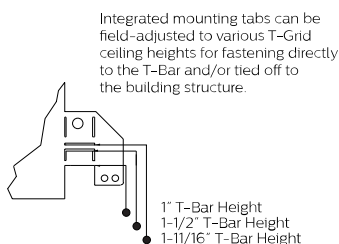
Due to continuing product improvements, Philips Ledalite reserves the right to change the specifications without notice.

Options and Details

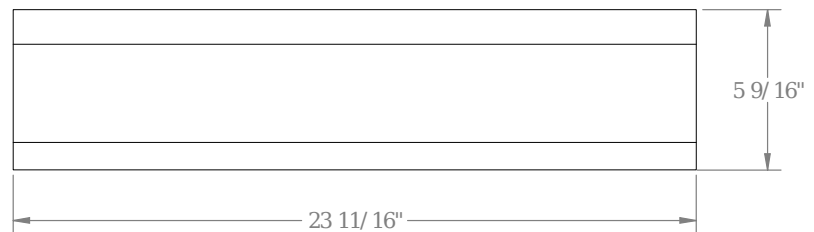
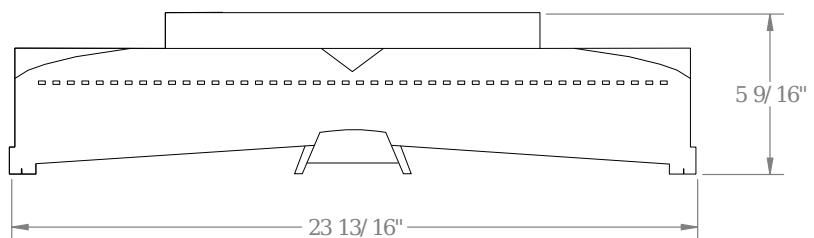
Mounting



Ceiling types



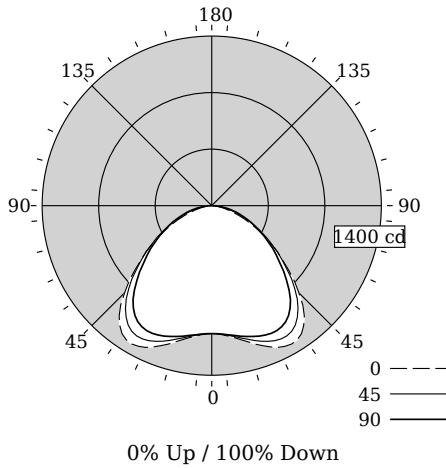
Cross Section



Vectra

2'x2', 3600 lm
3000/3500/4000K

Photometry @ CRI>80, 3500K



Candela Distribution

Vertical Angle	Horizontal Angle					Zonal Lumens
	0	22.5	45	67.5	90	
0	1056	1056	1056	1056	1056	0
5	1071	1068	1067	1065	1065	103
15	1164	1157	1141	1124	1118	325
25	1291	1272	1230	1181	1163	567
35	1291	1269	1203	1133	1106	746
45	1017	1008	969	903	874	737
55	660	664	660	631	615	580
65	359	373	391	395	389	384
75	146	165	191	207	211	198
85	28	38	50	55	56	54
90	0	0	0	0	0	0
95	0	0	0	0	0	0
105	0	0	0	0	0	0
115	0	0	0	0	0	0
125	0	0	0	0	0	0
135	0	0	0	0	0	0
145	0	0	0	0	0	0
155	0	0	0	0	0	0
165	0	0	0	0	0	0
175	0	0	0	0	0	0
180	0	0	0	0	0	0

Fixture photometry has been conducted in accordance with IESNA LM-79-08

IES files for this and other photometric options can be downloaded online at www.lightingproducts.philips.com

Coefficients of Utilization (%)

RCR	Ceiling		80		70		50		0		
	Wall	70	50	30	10	70	50	30	10	0	
0	119	119	119	119	116	116	116	111	111	111	100
1	109	105	101	97	107	102	99	98	95	92	85
2	100	92	85	80	97	90	84	86	81	77	71
3	91	81	73	66	89	79	72	76	70	65	60
4	83	72	63	56	81	70	62	68	61	55	52
5	77	64	55	49	75	63	55	61	53	48	45
6	71	58	49	42	69	57	48	55	47	42	39
7	65	52	43	37	64	51	43	50	42	37	34
8	61	47	39	33	59	47	39	45	38	33	30
9	57	43	35	30	55	43	35	42	34	29	27
10	53	40	32	27	52	39	32	38	31	27	25

Avg. Luminance (cd/m2)

Vertical Angle	Horizontal Angle		
	0	45	90
55	3684	3684	3433
65	2720	2962	2947
75	1806	2363	2610
85	1029	1837	2057

Distribution Summary

Hemisphere	0% Up / 100% Down
Spacing Along (0°)	1.69
Spacing Across (90°)	1.54

Philips Ledalite

LED lighting facts
A Program of the U.S. DOE

Light Output (Lumens) **3692**

Watts **43**

Lumens per Watt (Efficacy) **86**

Color Accuracy **83**
Color Rendering Index (CRI)

Light Color **3500 (Bright White)**
Correlated Color Temperature (CCT)

2700K 3000K 4500K 6500K

All results are according to IESNA LM-79-2008: *Approved Method for the Electrical and Photometric Testing of Solid-State Lighting*. The U.S. Department of Energy (DOE) verifies product test data and results.

Visit www.lightingfacts.com for the Label Reference Guide.

Registration Number: F46Z-267Q5J (2/7/2012)
Model Number: 9*22D**LB36
Type: Surface-mounted or recessed troffers

Vectra

2'x2', 3600 lm
3000/3500/4000K

Optical Performance

Flux (lm)	3705	3692	3555
Efficacy (lm/W)	86.0	85.9	82.1
Power (W)	43.1	43.0	43.3
CCT (K)	4012	3472	3073
CRI	83	83	83
R9	24	22	21
x	0.3825	0.4109	0.4358
y	0.3860	0.4023	0.4107
Duv	0.0040	0.0040	0.0030

Electrical Performance @ CRI>80, 3500K

Input Voltage	120V	347V
Input Power	43.0W	37.8W
Input Current	0.36A	0.11A
Power Factor	0.992	0.970
Total Harm. Distortion		9.0%

Tested values – contact technical support for rated values.
Off-state power zero unless certain controls are specified.

