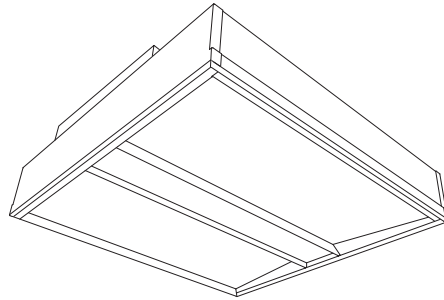


Vectra (LED) 2'x2'



Project Name

Spec Type

Notes

Recessed
2'x2'
LED 3500K; 4400 lm

Order Guide

Some combinations of product options may not be available. Consult factory for assistance with your specification.

9722			L	B	44				E
Product Type & Size Vectra 2'x2'	Version D1 Standard T-Grid D2 Tegalur/Slot T-Grid	Configuration ST Standalone CR Continuous	Light Source L LED	Color Temp B 3500K	Lumens* 44 4400 lm	Housing S Standard C Chicago	Wiring 1 1 cct 5 1 cct w/battery pack 7 1 cct dimming	Voltage 1 120V 2 277V	Driver E Standard
					*Nominal Values		Consult website for complete list of standard wiring options		Consult website for driver manufacturer information

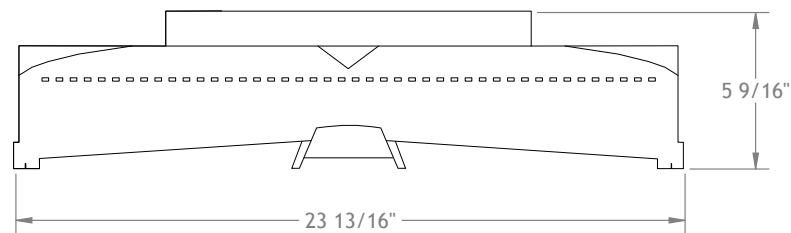
Upgrades & Accessories

Please indicate with check mark.

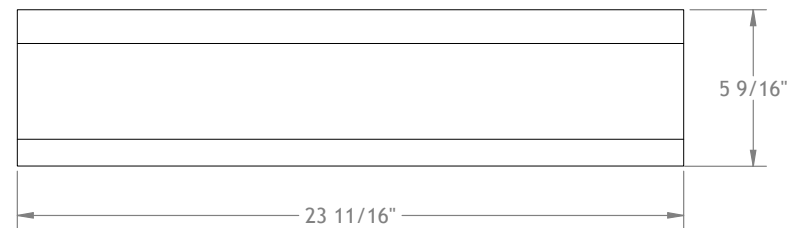
<input type="checkbox"/> Drywall Kit	<p>Can be mounted to wood frame or with hanger wire</p> <p>Not available in continuous row</p>
--------------------------------------	--

Integrated Controls

<input type="checkbox"/> Response Daylight Sensor For details visit ledalite.com/response



Cross Section



Side View



Vectra (LED) 2'x2'

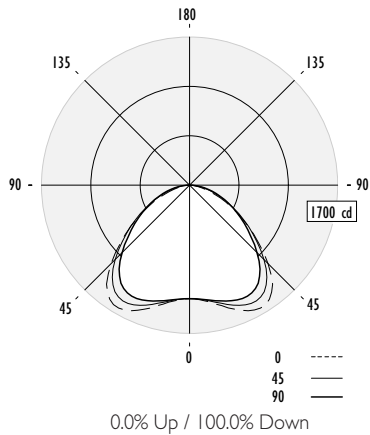
Recessed • 2'x2' • LED 3500K; 4400 lm

Photometry Flat Acrylic MesoOptics Lens

Report Summary

Efficiency*	100%	Report No.	ITL70663	Filename	9722DxxxLB44.ies
Efficacy	83.3 lm/W	CRI	83	Testing Voltage	120V
Total Lumens	4608 lm	R9	22	Power Factor	.99

*IESNA LM-79-08 specifies the entire luminaire as the source resulting in a fixture efficiency of 100%.



Candela Distribution

Vertical Angle	Horizontal Angle					Zonal Lumens
	0	22.5	45	67.5	90	
0	1303	1303	1303	1303	1303	
5	1320	1315	1316	1312	1313	127
15	1432	1424	1403	1384	1375	400
25	1591	1566	1516	1458	1436	699
35	1598	1572	1494	1408	1374	925
45	1273	1259	1207	1132	1093	920
55	825	835	827	796	768	728
65	458	474	493	499	492	485
75	187	212	241	263	268	253
85	37	53	66	75	75	72
90	0	0	0	0	0	0
95	0	0	0	0	0	0
105	0	0	0	0	0	0
115	0	0	0	0	0	0
125	0	0	0	0	0	0
135	0	0	0	0	0	0
145	0	0	0	0	0	0
155	0	0	0	0	0	0
165	0	0	0	0	0	0
175	0	0	0	0	0	0
180	0	0	0	0	0	0

Avg. Luminance (cd/m²)

Vertical Angle	Horizontal Angle		
	0	45	90
55	4605	4616	4287
65	3470	3735	3727
75	2313	2981	3315
85	1359	2425	2755

Fixture photometry has been conducted by a NVLAP accredited testing laboratory in accordance with IESNA LM-79-08.

Lumen maintenance of the LEDs used in this fixture has been tested by the LED manufacturer in accordance with IESNA LM-80-08

Coefficients of Utilization (%)

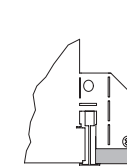
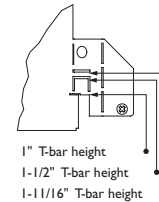
RCR	Ceiling: 80				70				50				0			
	70	50	30	10	70	50	30	10	50	30	10	0	50	30	10	0
0	119	119	119	119	116	116	116	111	111	111	100					
1	109	105	100	97	106	102	99	98	95	92	85					
2	100	92	85	79	97	90	84	86	81	77	71					
3	91	81	73	66	88	79	72	76	70	64	60					
4	83	71	63	56	81	70	62	68	61	55	51					
5	76	64	55	48	74	63	54	61	53	47	44					
6	71	57	48	42	69	56	48	55	47	41	39					
7	65	52	43	37	64	51	43	49	42	37	34					
8	61	47	39	33	59	46	38	45	38	32	30					
9	57	43	35	29	55	43	35	41	34	29	27					
10	53	40	32	26	52	39	32	38	31	26	24					

Based on a floor reflectance of 0.2

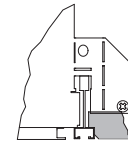
IES files for this and other photometric options can be downloaded online at ledalite.com

Mounting

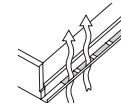
All recessed LED products feature integrated mounting tabs that can be field-adjusted to various T-bar ceiling heights. Fixtures can be fastened directly to the T-bar grid and/or tied-off to the building structure.



D1 Standard T-Grid
Option D1 works with 9/16" and 15/16" flat T-grid ceilings. It can also be used with slot T-grid ceilings, but it will not sit flush with the bottom of the T-bar.



D2 Slot T-Grid
Option D2 is designed to sit flush with slot T-grid ceilings and some regular tile ceiling types.



AIR RETURN

Air return is available with the ArcForm 2'x2' option. Side rails are finished in black.

Specifications

Due to continuing product improvements, Philips Ledalite reserves the right to change specifications without notice.

Housing

Die-formed, post-painted, 22 gauge cold-rolled steel. Multiple wire entrances are available (top or side) to allow continuous row mounting of fixtures. Optional frame restraint is available to provide additional safety support to the optical frame.

Optical System

The optical frame assembly consists of an acrylic panel with a layer of protected MesoOptics film which efficiently provides a luminous, controlled, low glare 3-dimensional batwing distribution. The optical frame ends are constructed from die-formed cold-rolled steel assembled together with extruded aluminum profiles in a sturdy frame. The frame is hinged to allow easy access to the inside of the fixture. Maintenance can be performed from below the ceiling.

Weight

Maximum 25lb.

Electrical

Factory pre-wired to section ends with quick-wire connectors.

Driver

Dimming: 0-10V - 10-100%. Power factor: greater than 98% (120V) and greater than 85% (277V). Output is Class 2 rated.

Wiring

Optional flex whips are supplied in 6' lengths.

Approvals

Certified to UL, IES & CSA Standards. City of Chicago Approved CCEA (housing option C). Type IC Rated

Finish

Housing and Frame: Post-painted, high quality powder coat. Available in white only.

Environment

Rated for dry or damp locations in operating ambient temperatures of 0-40°C (32-104°F).

Philips Ledalite

lighting facts®

A Program of the U.S. DOE

Light Output (Lumens) **4608**

Watts **55.3**

Lumens per Watt (Efficacy) **83**

Color Accuracy **83**

Color Rendering Index (CRI)

Light Color **3500 (Bright White)**

Correlated Color Temperature (CCT)

2700K 3000K 3500K 4500K 6500K

Warm White Bright White Daylight

All results are according to IESNA LM-79-2008: Approved Method for the Electrical and Photometric Testing of Solid-State Lighting. The U.S. Department of Energy (DOE) verifies product test data and results.

Visit www.lightingfacts.com for the Label Reference Guide.

Registration Number: F46Z-14221F (2/7/2012)
Model Number: 9*22D***LB44
Type: Surface-mounted or recessed troffers

