



# Recessed

Vectra

1'x4', 4400 lm  
3000/3500/4000K



Project: \_\_\_\_\_  
Spec Type: \_\_\_\_\_  
Catalog No: 9714DxxxLx44 \_\_\_\_\_  
Qty \_\_\_\_\_  
Line Notes: \_\_\_\_\_

Vectra combines distinctive styling with Ledalite's revolutionary MesoOptics technology to bring the best of nature's luminous aesthetics to indoor environments.

## Ordering guide

Product Type	Version	Configuration	Light Source *	CRI/CCT	Lumens *	Housing	Wiring †	Voltage	Driver
<input type="text" value="9714"/>	<input type="text"/>	<input type="text"/>	<input type="text" value="L"/>	<input type="text"/>	<input type="text" value="44"/>	<input type="text"/>	<input type="text"/>	<input type="text"/>	<input type="text"/>
Vectra 1'x4'	D1 Standard T Grid D2 Slot T Grid	ST Standalone CR Continuous Row	L LED	A 4000K B 3500K C 3000K	36 3600 lumens 44 4400 lumens	S Standard C Chicago Plenum	7 1 cct Dimming N 1 cct Dimming + EM Batt. Pack T 1 cct Step Dimming	1 120V 2 277V 3 347V	E Philips Advance 0-10V (1% dim)

\* Nominal values within a range. Consult photometry data for CRI, color temp, lumens & distribution of chosen configuration.  
† Not all wiring types are available with all configurations. Consult Philips Ledalite for a complete list of available options.

### Upgrades & Accessories Please indicate with check mark.

- Flex Whip (6' length)
- Drywall Kit

### Integrated Controls Please indicate with check mark.

- Response Daylight Single Zone (DS)



# Vectra

1'x4', 4400 lm

3000/3500/4000K

## Optical System

The optical frame assembly consists of an acrylic panel with a layer of protected MesoOptics film which efficiently provides a luminous, controlled, low glare 3-dimensional batwing distribution. The optical frame ends are constructed from die-formed cold-rolled steel assembled together with extruded aluminum profiles in a sturdy frame. The frame is hinged to allow easy access to the inside of the fixture. Maintenance can be performed from below the ceiling.

## Housing

Die-formed, post-painted, 22 gauge cold-rolled steel housing. Multiple wire entrances are available (top or side) to allow continuous row mounting of fixtures. Optional frame restraint is available to provide additional safety support.

## Mounting

Compatible with lay-in acoustical ceilings using an exposed 9/16", 15/16" or slot T-grid suspension system (NEMA types G, NFG & NFGS). Integral mounting tabs are provided which handle different T-grid heights.

## Finish

Housing and Frame: Post-painted, high quality powder coat. Available in white only.

## Weight

Maximum 25lb.

## Electrical

LED boards are easily field replaceable. Fixtures are factory pre-wired and tested for all circuits. Driver access from below the ceiling. Optional armored cable flex whips are supplied in 6' lengths.

## Standard Driver

Philips Advance Xitanium 0-10V, 1-100%. Class 2 rated output. Consult Philips Ledalite for other available drivers.

## Standard Battery Pack

Philips Bodine, 90 min, 10W, Class 2 rated output, Emergency lumen output = 10W x luminaire efficacy x 1.1. Typical output: 900lm.

## Lumen Maintenance

LEDs have been tested by the manufacturer in accordance with IESNA LM-80-08. At an ambient temperature of 25°C, the LED lumen maintenance expectation according to IES TM-21-11 **Reported** methodology is L70 (12k) >52,000 hrs.

## Source Color

LEDs rated for standard color rendering CRI >80, R9 >0 and fixture to fixture color accuracy within 3 SDCM.

## Controls

Available with integrated Response Daylight sensor, which dims the luminaire when daylight is present. Contact Philips Ledalite for additional functionality.

## Approvals

Certified to UL, IES & CSA Standards. City of Chicago Approved CCEA (housing option C). Type IC Rated.

## Warranty

Five-year luminaire limited warranty including LED boards and driver. [www.philips.com/warranties](http://www.philips.com/warranties).

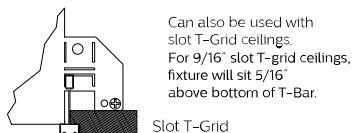
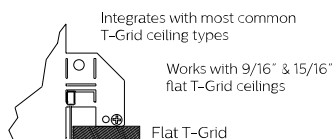
## Environment

Rated for dry or damp locations in operating ambient temperatures of 0-25°C (32-77°F). Many luminaire components, such as reflectors, refractors, lenses, sockets, lamp holders, and LEDs are made from various types of plastics which can be adversely affected by airborne contaminants. If sulfur based chemicals, petroleum based products, cleaning solutions, or other contaminants are expected in the intended area of use, consult factory for compatibility. Damage caused by sulfur, chlorine, petroleum based solution or other contaminants are not covered under warranty. Not suitable for natatorium environments.

Due to continuing product improvements, Philips Ledalite reserves the right to change the specifications without notice.

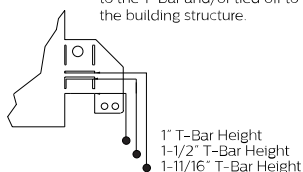
## Options and Details

### Mounting

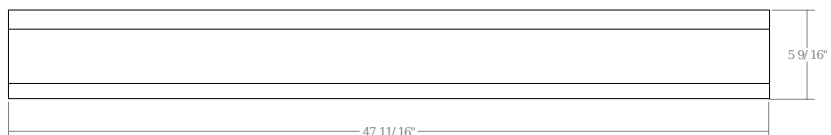
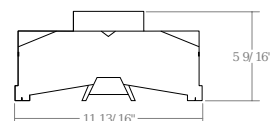


### Ceiling types

Integrated mounting tabs can be field-adjusted to various T-Grid ceiling heights for fastening directly to the T-Bar and/or tied off to the building structure.



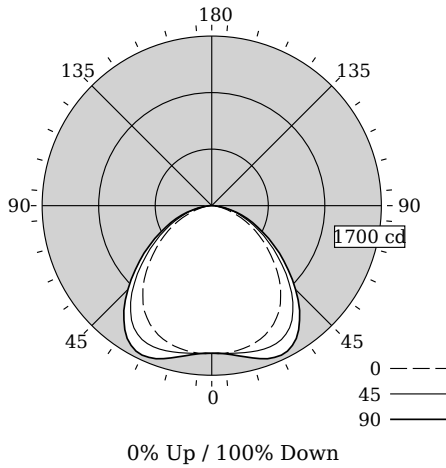
### Cross Section



# Vectra

1'x4', 4400 lm  
3000/3500/4000K

## Photometry @ CRI>80, 3500K



## Candela Distribution

Vertical Angle	Horizontal Angle					Zonal Lumens
	0	22.5	45	67.5	90	
0	1480	1480	1480	1480	1480	0
5	1485	1485	1488	1486	1490	142
15	1456	1473	1517	1559	1580	430
25	1371	1424	1526	1616	1653	699
35	1200	1273	1402	1490	1519	859
45	926	985	1095	1166	1188	831
55	638	679	754	814	828	666
65	379	409	462	500	505	452
75	164	199	236	259	256	238
85	31	51	57	58	56	63
90	0	0	0	0	0	0
95	0	0	0	0	0	0
105	0	0	0	0	0	0
115	0	0	0	0	0	0
125	0	0	0	0	0	0
135	0	0	0	0	0	0
145	0	0	0	0	0	0
155	0	0	0	0	0	0
165	0	0	0	0	0	0
175	0	0	0	0	0	0
180	0	0	0	0	0	0

Fixture photometry has been conducted in accordance with IESNA LM-79-08

IES files for this and other photometric options can be downloaded online at [www.lightingproducts.philips.com](http://www.lightingproducts.philips.com)

## Coefficients of Utilization (%)

RCR	Ceiling												
	70	50	30	10	70	50	30	10	70	50	30	10	0
0	119	119	119	119	116	116	116	111	111	111	111	100	0
1	109	105	101	97	107	103	99	98	95	93	85	85	0
2	100	92	85	80	97	90	84	87	82	77	72	72	0
3	91	81	73	67	89	80	72	77	70	65	61	61	0
4	84	72	64	57	82	71	63	68	61	56	52	52	0
5	77	65	56	49	75	64	55	61	54	49	45	45	0
6	71	58	50	43	69	57	49	56	48	43	40	40	0
7	66	53	44	38	64	52	44	51	43	38	35	35	0
8	62	48	40	34	60	48	40	46	39	34	32	32	0
9	58	44	36	31	56	44	36	43	35	30	28	28	0
10	54	41	33	28	53	40	33	39	32	28	26	26	0

## Avg. Luminance (cd/m2)

Vertical Angle	Horizontal Angle		
	0	45	90
55	3832	4529	4974
65	3090	3766	4117
75	2183	3142	3408
85	1225	2253	2214

## Distribution Summary

Hemisphere	0% Up / 100% Down
Spacing Along (0°)	1.29
Spacing Across (90°)	1.51

Philips Ledalite

**LED lighting facts**  
A Program of the U.S. DOE

---

**Light Output (Lumens)** **4381**

**Watts** **55.3**

**Lumens per Watt (Efficacy)** **79**

---

**Color Accuracy** **83**  
Color Rendering Index (CRI)

---

**Light Color** **3500 (Bright White)**  
Correlated Color Temperature (CCT)

2700K    3000K    4500K    6500K

---

All results are according to IESNA LM-79-2008: *Approved Method for the Electrical and Photometric Testing of Solid-State Lighting*. The U.S. Department of Energy (DOE) verifies product test data and results.

**Visit [www.lightingfacts.com](http://www.lightingfacts.com) for the Label Reference Guide.**

Registration Number: F46Z-SFGB38 (2/7/2012)  
Model Number: 9\*14D\*\*LB44  
Type: Surface-mounted or recessed troffers

# Vectra

1'x4', 4400 lm

3000/3500/4000K

## Optical Performance

Flux (lm)	4495	4381	4344
Efficacy (lm/W)	81.6	79.2	79.1
Power (W)	55.1	55.3	54.9
CCT (K)	3985	3470	3071
CRI	83	83	83
R9	24	22	20
x	0.3837	0.4108	0.4356
y	0.3866	0.4017	0.4103
Duv	0.0040	0.0040	0.0030

## Electrical Performance @ CRI>80, 3500K

Input Voltage	120V	347V
Input Power	55.3W	47.2W
Input Current	0.46A	0.14A
Power Factor	0.995	0.980
Total Harm. Distortion		7.0%

Tested values – contact technical support for rated values.  
Off-state power zero unless certain controls are specified.

© 2018 Philips Lighting Holding B.V. All rights reserved. Philips reserves the right to make changes in specifications and/or to discontinue any product at any time without notice or obligation and will not be liable for any consequences resulting from the use of this publication.

[www.philips.com/luminaires](http://www.philips.com/luminaires)

Vectra1x4\_44lm 03.18 page 4 of 4



Philips Lighting, North America Corporation  
200 Franklin Square Drive, Somerset, NJ 08873  
Tel. 855-486-2216

Philips Lighting Canada Ltd.,  
281 Hillmount Rd, Markham, ON, Canada L6C 2S3  
Tel. 800-668-9008