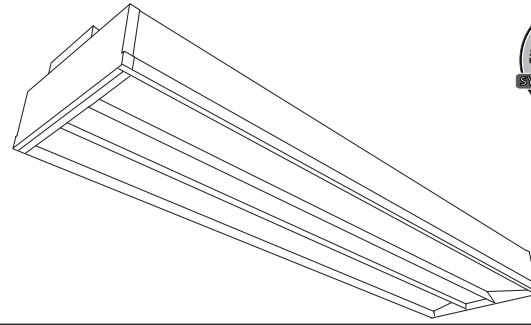


Vectra (LED) 1'x4'



Project Name

Spec Type

Notes

Recessed

1'x4'

LED 4000K; 3600 lm



Order Guide

Some combinations of product options may not be available. Consult factory for assistance with your specification.

9714			L	A	36				E
Product Type & Size Vectra 1'x4'	Version D1 Standard T-Grid D2 Tegular/Slot T-Grid	Configuration ST Standalone CR Continuous	Light Source L LED	Color Temp A 4000K	Lumens* 36 3600 lm	Housing S Standard C Chicago	Wiring 1 1 cct 5 1 cct w/battery pack 7 1 cct dimming	Voltage 1 120V 2 277V	Driver E Standard
					*Nominal Values		Consult website for complete list of standard wiring options		Consult website for driver manufacturer information

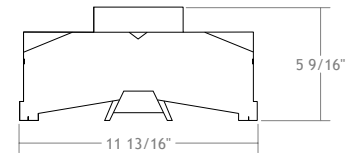
Upgrades & Accessories

Please indicate with check mark.

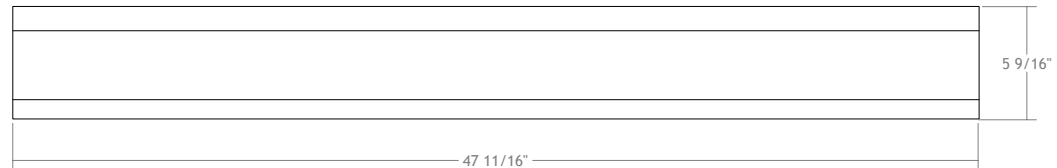
Drywall Kit

Can be mounted to wood frame or with hanger wire

Wood Frame Hanger Wire



Cross Section



Side View

Integrated Controls

Response Daylight Sensor
For details visit ledalite.com/response



Vectra (LED) 1'x4'

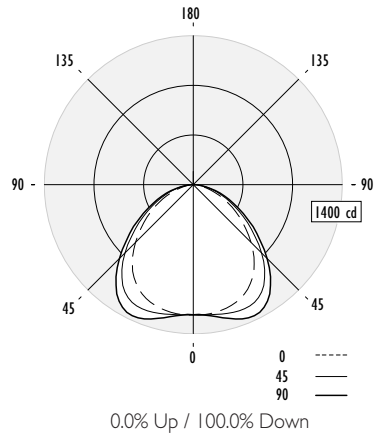
Recessed • 1'x4' • LED 4000K; 3600 lm

Photometry Flat Acrylic MesoOptics Lens

Report Summary

Efficiency*	100%	Report No.	ITL70668	Filename	9714DxxxLA36.ies
Efficacy	83.7 lm/W	CRI	83	Testing Voltage	120V
Total Lumens	3623 lm	R9	24	Power Factor	0.99

*IESNA LM-79-08 specifies the entire luminaire as the source resulting in a fixture efficiency of 100%.



Candela Distribution

Vertical Angle	Horizontal Angle					Zonal Lumens
	0	22.5	45	67.5	90	
0	1223	1223	1223	1223	1223	
5	1226	1227	1228	1227	1231	118
15	1202	1218	1252	1284	1301	355
25	1135	1175	1258	1330	1359	577
35	994	1054	1156	1228	1254	709
45	768	820	907	963	981	687
55	530	563	624	675	686	552
65	316	338	379	412	416	374
75	135	166	194	214	215	199
85	27	44	52	50	50	54
90	0	0	0	0	0	
95	0	0	0	0	0	
105	0	0	0	0	0	
115	0	0	0	0	0	
125	0	0	0	0	0	
135	0	0	0	0	0	
145	0	0	0	0	0	
155	0	0	0	0	0	
165	0	0	0	0	0	
175	0	0	0	0	0	
180	0	0	0	0	0	

Avg. Luminance (cd/m²)

Vertical Angle	Horizontal Angle		
	0	45	90
55	3184	3748	4121
65	2576	3090	3391
75	1797	2582	2862
85	1067	2056	1977

Fixture photometry has been conducted by a NVLAP accredited testing laboratory in accordance with IESNA LM-79-08.

Lumen maintenance of the LEDs used in this fixture has been tested by the LED manufacturer in accordance with IESNA LM-80-08

Coefficients of Utilization (%)

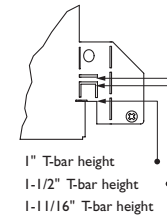
RCR	Ceiling: 80				70				50				0			
	70	50	30	10	70	50	30	10	50	30	10	0	50	30	10	0
0	119	119	119	119	116	116	116	111	111	111	100					
1	109	105	101	97	107	103	99	98	95	92	85					
2	100	92	85	80	97	90	84	87	81	77	72					
3	91	81	73	67	89	80	72	77	70	65	61					
4	84	72	64	57	82	71	63	68	61	56	52					
5	77	65	56	49	75	63	55	61	54	49	45					
6	71	58	49	43	69	57	49	55	48	43	40					
7	66	53	44	38	64	52	44	50	43	38	35					
8	62	48	40	34	60	48	40	46	39	34	31					
9	57	44	36	31	56	44	36	42	35	30	28					
10	54	41	33	28	53	40	33	39	32	28	26					

Based on a floor reflectance of 0.2

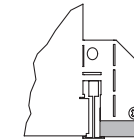
IES files for this and other photometric options can be downloaded online at ledalite.com

Mounting

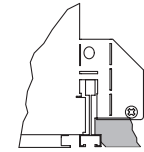
All recessed LED products feature integrated mounting tabs that can be field-adjusted to various T-bar ceiling heights. Fixtures can be fastened directly to the T-bar grid and/or tied-off to the building structure.



1" T-bar height
1-1/2" T-bar height
1-11/16" T-bar height



D1 Standard T-Grid
Option D1 works with 9/16" and 15/16" flat T-grid ceilings. It can also be used with slot T-grid ceilings, but it will not sit flush with the bottom of the T-bar.



D2 Slot T-Grid
Option D2 is designed to sit flush with slot T-grid ceilings and some regular tile ceiling types.

Specifications

Due to continuing product improvements, Philips Ledalite reserves the right to change specifications without notice.

Housing

Die-formed, post-painted, 22 gauge cold-rolled steel. Multiple wire entrances are available (top or side) to allow continuous row mounting of fixtures. Optional frame restraint is available to provide additional safety support to the optical frame.

Optical System

The optical frame assembly consists of an acrylic panel with a layer of protected MesoOptics film which efficiently provides a luminous, controlled, low glare batwing distribution. The optical frame ends are constructed from die-formed cold-rolled steel assembled together with extruded aluminum profiles in a sturdy frame. The frame is hinged to allow easy access to the inside of the fixture. Maintenance can be performed from below the ceiling.

Weight

Maximum 25lb.

Electrical

Factory pre-wired to section ends with quick-wire connectors.

Driver

Dimming: 0-10V - 10-100%. Power factor: greater than 98% (120V) and greater than 85% (277V). Output is Class 2 rated.

Wiring

Optional flex whips are supplied in 6' lengths.

Approvals

Certified to UL, IES & CSA Standards. City of Chicago Approved CCEA (housing option C). Type IC Rated

Finish

Housing and Frame: Post-painted, high quality powder coat. Available in white only.

Environment

Rated for dry or damp locations in operating ambient temperatures of 0-40°C (32-104°F).

LED lighting facts
A Program of the U.S. DOE

Light Output (Lumens) 3623
Watts 43.3
Lumens per Watt (Efficacy) 84

Color Accuracy
Color Rendering Index (CRI) 83

Light Color
Correlated Color Temperature (CCT) 4000 (Bright White)

2700K 3000K 4500K 6500K

All results are according to IESNA LM-79-08: Approved Method for the Electrical and Photometric Testing of Solid-State Lighting. The U.S. Department of Energy (DOE) verifies product test data and results.

Visit www.lightingfacts.com for the Label Reference Guide.

Registration Number: F46Z-BMPBSN (2/7/2012)
Model Number: 9"14D***LA36
Type: Surface-mounted or recessed troffers

