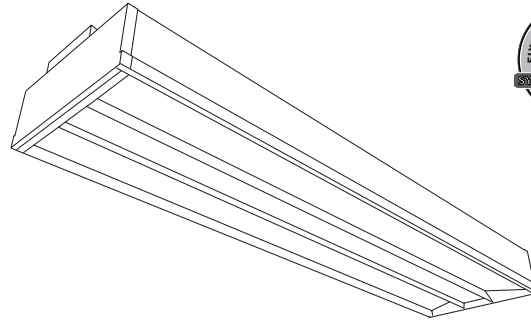


# Vectra (LED) 1'x4'



Project Name

Spec Type

Notes

Recessed

1'x4'

LED 3500K; 3600 lm



## Order Guide

Some combinations of product options may not be available. Consult factory for assistance with your specification.

|                                     |   |   |                       |                       |                       |                                    |  |                             |   |
|-------------------------------------|---|---|-----------------------|-----------------------|-----------------------|------------------------------------|--|-----------------------------|---|
| <b>9714</b>                         |   |   | <b>L</b>              | <b>B</b>              | <b>36</b>             |                                    |  |                             | <b>E</b>  |
| Product Type & Size<br>Vectra 1'x4' | Version<br>D1 Standard T-Grid<br>D2 Tegular/Slot T-Grid | Configuration<br>ST Standalone<br>CR Continuous | Light Source<br>L LED | Color Temp<br>B 3500K | Lumens*<br>36 3600 lm | Housing<br>S Standard<br>C Chicago | Wiring<br>1 1 cct<br>5 1 cct w/battery pack<br>7 1 cct dimming | Voltage<br>1 120V<br>2 277V | Driver<br>E Standard                                |
|                                     |   |   |                       |                       | *Nominal Values       |                                    | Consult website for complete list of standard wiring options   |                             | Consult website for driver manufacturer information |

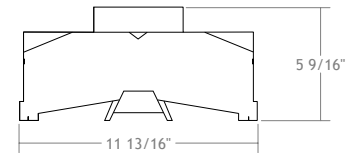
## Upgrades & Accessories

Please indicate with check mark.

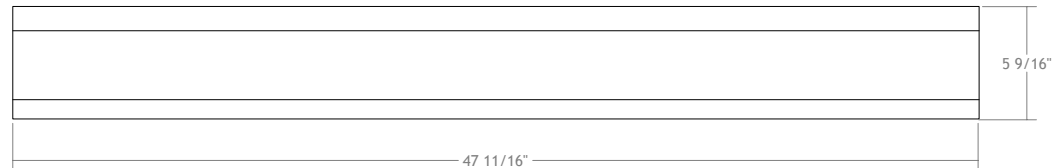
Drywall Kit

Can be mounted to wood frame or with hanger wire

Wood Frame    Hanger Wire



Cross Section



Side View

## Integrated Controls

Response Daylight Sensor  
For details visit [ledalite.com/response](http://ledalite.com/response)



# Vectra (LED) 1'x4'

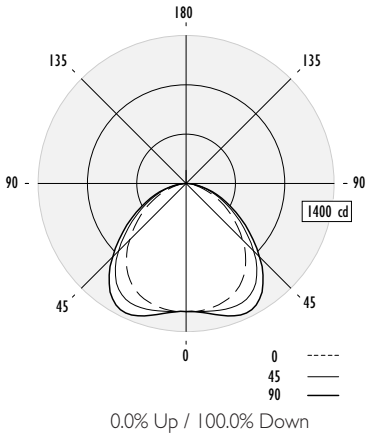
Recessed • 1'x4' • LED 3500K; 3600 lm

## Photometry Flat Acrylic MesoOptics Lens

### Report Summary

|                     |           |                   |          |                        |                  |
|---------------------|-----------|-------------------|----------|------------------------|------------------|
| <b>Efficiency*</b>  | 100%      | <b>Report No.</b> | ITL70670 | <b>Filename</b>        | 9714DxxxLB36.ies |
| <b>Efficacy</b>     | 83.7 lm/W | <b>CRI</b>        | 83       | <b>Testing Voltage</b> | 120V             |
| <b>Total Lumens</b> | 3600 lm   | <b>R9</b>         | 22       | <b>Power Factor</b>    | 0.99             |

\*IESNA LM-79-08 specifies the entire luminaire as the source resulting in a fixture efficiency of 100%.



### Candela Distribution

| Vertical Angle | Horizontal Angle |      |      |      |      | Zonal Lumens |
|----------------|------------------|------|------|------|------|--------------|
|                | 0                | 22.5 | 45   | 67.5 | 90   |              |
| 0              | 1212             | 1212 | 1212 | 1212 | 1212 |              |
| 5              | 1214             | 1215 | 1217 | 1216 | 1220 | 116          |
| 15             | 1189             | 1204 | 1241 | 1274 | 1291 | 352          |
| 25             | 1120             | 1162 | 1247 | 1320 | 1352 | 571          |
| 35             | 978              | 1042 | 1150 | 1226 | 1254 | 705          |
| 45             | 753              | 810  | 903  | 965  | 980  | 685          |
| 55             | 523              | 559  | 622  | 673  | 684  | 550          |
| 65             | 312              | 335  | 379  | 412  | 418  | 372          |
| 75             | 136              | 165  | 196  | 213  | 208  | 197          |
| 85             | 26               | 43   | 48   | 49   | 46   | 52           |
| 90             | 0                | 0    | 0    | 0    | 0    |              |
| 95             | 0                | 0    | 0    | 0    | 0    |              |
| 105            | 0                | 0    | 0    | 0    | 0    |              |
| 115            | 0                | 0    | 0    | 0    | 0    |              |
| 125            | 0                | 0    | 0    | 0    | 0    |              |
| 135            | 0                | 0    | 0    | 0    | 0    |              |
| 145            | 0                | 0    | 0    | 0    | 0    |              |
| 155            | 0                | 0    | 0    | 0    | 0    |              |
| 165            | 0                | 0    | 0    | 0    | 0    |              |
| 175            | 0                | 0    | 0    | 0    | 0    |              |
| 180            | 0                | 0    | 0    | 0    | 0    |              |

### Avg. Luminance (cd/m<sup>2</sup>)

| Vertical Angle | Horizontal Angle |      |      |
|----------------|------------------|------|------|
|                | 0                | 45   | 90   |
| 55             | 3142             | 3736 | 4109 |
| 65             | 2544             | 3090 | 3408 |
| 75             | 1810             | 2609 | 2769 |
| 85             | 1028             | 1897 | 1818 |

Fixture photometry has been conducted by a NVLAP accredited testing laboratory in accordance with IESNA LM-79-08.

Lumen maintenance of the LEDs used in this fixture has been tested by the LED manufacturer in accordance with IESNA LM-80-08

### Coefficients of Utilization (%)

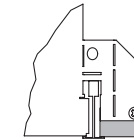
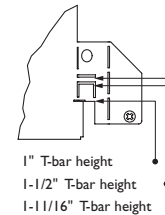
| RCR | Ceiling: 80 |     |     |     | 70  |     |     |     | 50  |     |     |   | 0  |    |    |   |
|-----|-------------|-----|-----|-----|-----|-----|-----|-----|-----|-----|-----|---|----|----|----|---|
|     | 70          | 50  | 30  | 10  | 70  | 50  | 30  | 10  | 50  | 30  | 10  | 0 | 50 | 30 | 10 | 0 |
| 0   | 119         | 119 | 119 | 119 | 116 | 116 | 116 | 111 | 111 | 111 | 100 |   |    |    |    |   |
| 1   | 109         | 105 | 101 | 97  | 107 | 103 | 99  | 98  | 95  | 93  | 85  |   |    |    |    |   |
| 2   | 100         | 92  | 85  | 80  | 97  | 90  | 84  | 87  | 82  | 77  | 72  |   |    |    |    |   |
| 3   | 91          | 81  | 73  | 67  | 89  | 80  | 72  | 77  | 70  | 65  | 61  |   |    |    |    |   |
| 4   | 84          | 72  | 64  | 57  | 81  | 71  | 63  | 68  | 61  | 56  | 52  |   |    |    |    |   |
| 5   | 77          | 65  | 56  | 49  | 75  | 63  | 55  | 61  | 54  | 49  | 45  |   |    |    |    |   |
| 6   | 71          | 58  | 49  | 43  | 69  | 57  | 49  | 55  | 48  | 43  | 40  |   |    |    |    |   |
| 7   | 66          | 53  | 44  | 38  | 64  | 52  | 44  | 50  | 43  | 38  | 35  |   |    |    |    |   |
| 8   | 62          | 48  | 40  | 34  | 60  | 47  | 39  | 46  | 39  | 34  | 31  |   |    |    |    |   |
| 9   | 57          | 44  | 36  | 31  | 56  | 44  | 36  | 42  | 35  | 30  | 28  |   |    |    |    |   |
| 10  | 54          | 41  | 33  | 28  | 53  | 40  | 33  | 39  | 32  | 28  | 26  |   |    |    |    |   |

Based on a floor reflectance of 0.2

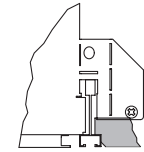
IES files for this and other photometric options can be downloaded online at [ledalite.com](http://ledalite.com)

## Mounting

All recessed LED products feature integrated mounting tabs that can be field-adjusted to various T-bar ceiling heights. Fixtures can be fastened directly to the T-bar grid and/or tied-off to the building structure.



**D1 Standard T-Grid**  
Option D1 works with 9/16" and 15/16" flat T-grid ceilings. It can also be used with slot T-grid ceilings, but it will not sit flush with the bottom of the T-bar.



**D2 Slot T-Grid**  
Option D2 is designed to sit flush with slot T-grid ceilings and some regular tile ceiling types.

## Specifications

Due to continuing product improvements, Philips Ledalite reserves the right to change specifications without notice.

### Housing

Die-formed, post-painted, 22 gauge cold-rolled steel. Multiple wire entrances are available (top or side) to allow continuous row mounting of fixtures. Optional frame restraint is available to provide additional safety support to the optical frame.

### Optical System

The optical frame assembly consists of an acrylic panel with a layer of protected MesoOptics film which efficiently provides a luminous, controlled, low glare batwing distribution. The optical frame ends are constructed from die-formed cold-rolled steel assembled together with extruded aluminum profiles in a sturdy frame. The frame is hinged to allow easy access to the inside of the fixture. Maintenance can be performed from below the ceiling.

### Weight

Maximum 25lb.

### Electrical

Factory pre-wired to section ends with quick-wire connectors.

### Driver

Dimming: 0-10V - 10-100%. Power factor: greater than 98% (120V) and greater than 85% (277V). Output is Class 2 rated.

### Wiring

Optional flex whips are supplied in 6' lengths.

### Approvals

Certified to UL, IES & CSA Standards. City of Chicago Approved CCEA (housing option C). Type IC Rated

### Finish

Housing and Frame: Post-painted, high quality powder coat. Available in white only.

### Environment

Rated for dry or damp locations in operating ambient temperatures of 0-40°C (32-104°F).

**LED lighting facts**  
A Program of the U.S. DOE

---

**Light Output (Lumens)** 3600  
**Watts** 43  
**Lumens per Watt (Efficacy)** 84

---

**Color Accuracy**  
Color Rendering Index (CRI) 83

---

**Light Color**  
Correlated Color Temperature (CCT) 3500 (Bright White)

2700K 3000K 4500K 6500K

---

All results are according to IESNA LM-79-08: Approved Method for the Electrical and Photometric Testing of Solid-State Lighting. The U.S. Department of Energy (DOE) verifies product test data and results.

Visit [www.lightingfacts.com](http://www.lightingfacts.com) for the Label Reference Guide.

Registration Number: F46Z-744C4T (2/7/2012)  
Model Number: 9"14D\*\*\*LB36  
Type: Surface-mounted or recessed troffers

