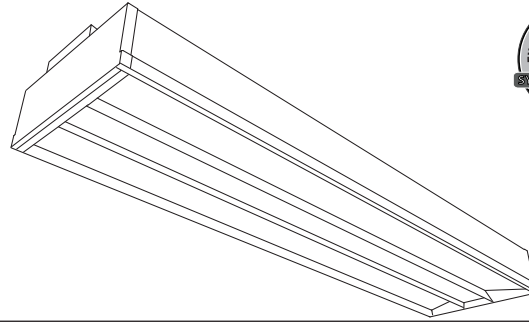


# Vectra (LED) 1'x4'



Project Name

Spec Type

Notes

Recessed

1'x4'

LED 3000K; 3600 lm



## Order Guide

Some combinations of product options may not be available. Consult factory for assistance with your specification.

<b>9714</b>			<b>L</b>	<b>C</b>	<b>36</b>				<b>E</b>
Product Type & Size Vectra 1'x4'	Version D1 Standard T-Grid D2 Tegular/Slot T-Grid	Configuration ST Standalone CR Continuous	Light Source L LED	Color Temp C 3000K	Lumens* 36 3600 lm	Housing S Standard C Chicago	Wiring 1 1 cct 5 1 cct w/battery pack 7 1 cct dimming	Voltage 1 120V 2 277V	Driver E Standard
					*Nominal Values		Consult website for complete list of standard wiring options		Consult website for driver manufacturer information

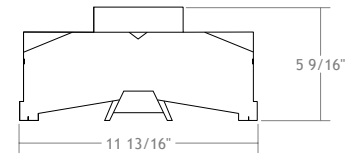
## Upgrades & Accessories

Please indicate with check mark.

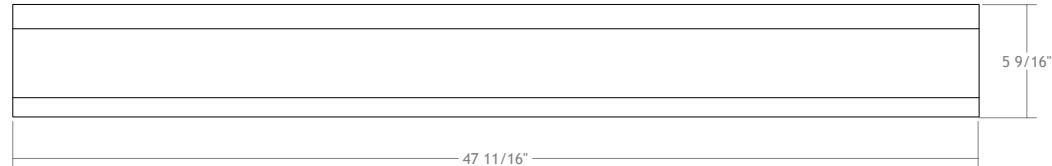
Drywall Kit

Can be mounted to wood frame or with hanger wire

Wood Frame    Hanger Wire



Cross Section



Side View

## Integrated Controls

Response Daylight Sensor  
For details visit [ledalite.com/response](http://ledalite.com/response)



# Vectra (LED) 1'x4'

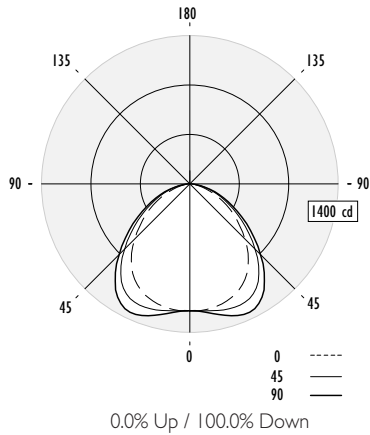
Recessed • 1'x4' • LED 3000K; 3600 Im

## Photometry Flat Acrylic MesoOptics Lens

### Report Summary

<b>Efficiency*</b>	100%	<b>Report No.</b>	ITL70672	<b>Filename</b>	9714DxxxLC36.ies
<b>Efficacy</b>	81.8 lm/W	<b>CRI</b>	83	<b>Testing Voltage</b>	120V
<b>Total Lumens</b>	3494 lm	<b>R9</b>	21	<b>Power Factor</b>	0.99

\*IESNA LM-79-08 specifies the entire luminaire as the source resulting in a fixture efficiency of 100%.



### Candela Distribution

Vertical Angle	Horizontal Angle					Zonal Lumens
	0	22.5	45	67.5	90	
0	1198	1198	1198	1198	1198	115
5	1200	1201	1204	1204	1209	348
15	1173	1190	1232	1264	1284	564
25	1101	1149	1232	1306	1337	689
35	958	1023	1126	1197	1222	662
45	733	787	869	929	942	528
55	508	539	596	643	655	355
65	297	322	361	392	400	185
75	126	156	183	199	195	47
85	22	39	43	44	43	0
90	0	0	0	0	0	0
95	0	0	0	0	0	0
105	0	0	0	0	0	0
115	0	0	0	0	0	0
125	0	0	0	0	0	0
135	0	0	0	0	0	0
145	0	0	0	0	0	0
155	0	0	0	0	0	0
165	0	0	0	0	0	0
175	0	0	0	0	0	0
180	0	0	0	0	0	0

### Avg. Luminance (cd/m<sup>2</sup>)

Vertical Angle	Horizontal Angle		
	0	45	90
55	3051	3580	3934
65	2421	2943	3261
75	1677	2436	2596
85	870	1700	1700

Fixture photometry has been conducted by a NVLAP accredited testing laboratory in accordance with IESNA LM-79-08.

Lumen maintenance of the LEDs used in this fixture has been tested by the LED manufacturer in accordance with IESNA LM-80-08

### Coefficients of Utilization (%)

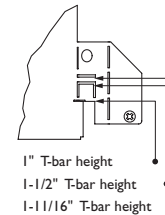
RCR	Ceiling: 80				70				50				0			
	70	50	30	10	70	50	30	10	50	30	10	0	50	30	10	0
0	119	119	119	119	116	116	116	111	111	111	100	111	111	111	100	
1	109	105	101	97	107	103	99	98	95	93	85	98	95	93	85	
2	100	92	86	80	97	90	84	87	82	77	72	87	82	77	72	
3	92	81	74	67	89	80	73	77	71	66	61	77	71	66	61	
4	84	72	64	57	82	71	63	69	62	56	53	69	62	56	53	
5	77	65	56	50	75	64	56	62	54	49	46	62	54	49	46	
6	72	59	50	44	70	58	49	56	48	43	40	56	48	43	40	
7	66	53	45	39	65	52	44	51	43	38	36	51	43	38	36	
8	62	48	40	34	60	48	40	46	39	34	32	46	39	34	32	
9	58	45	36	31	56	44	36	43	36	31	29	43	36	31	29	
10	54	41	33	28	53	41	33	40	33	28	26	40	33	28	26	

Based on a floor reflectance of 0.2

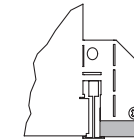
IES files for this and other photometric options can be downloaded online at [ledalite.com](http://ledalite.com)

## Mounting

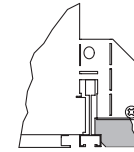
All recessed LED products feature integrated mounting tabs that can be field-adjusted to various T-bar ceiling heights. Fixtures can be fastened directly to the T-bar grid and/or tied-off to the building structure.



1" T-bar height  
1-1/2" T-bar height  
1-11/16" T-bar height



**D1 Standard T-Grid**  
Option D1 works with 9/16" and 15/16" flat T-grid ceilings. It can also be used with slot T-grid ceilings, but it will not sit flush with the bottom of the T-bar.



**D2 Slot T-Grid**  
Option D2 is designed to sit flush with slot T-grid ceilings and some regular tile ceiling types.

## Specifications

Due to continuing product improvements, Philips Ledalite reserves the right to change specifications without notice.

### Housing

Die-formed, post-painted, 22 gauge cold-rolled steel. Multiple wire entrances are available (top or side) to allow continuous row mounting of fixtures. Optional frame restraint is available to provide additional safety support to the optical frame.

### Optical System

The optical frame assembly consists of an acrylic panel with a layer of protected MesoOptics film which efficiently provides a luminous, controlled, low glare batwing distribution. The optical frame ends are constructed from die-formed cold-rolled steel assembled together with extruded aluminum profiles in a sturdy frame. The frame is hinged to allow easy access to the inside of the fixture. Maintenance can be performed from below the ceiling.

### Weight

Maximum 25lb.

### Electrical

Factory pre-wired to section ends with quick-wire connectors.

### Driver

Dimming: 0-10V - 10-100%. Power factor: greater than 98% (120V) and greater than 85% (277V). Output is Class 2 rated.

### Wiring

Optional flex whips are supplied in 6' lengths.

### Approvals

Certified to UL, IES & CSA Standards. City of Chicago Approved CCEA (housing option C). Type IC Rated

### Finish

Housing and Frame: Post-painted, high quality powder coat. Available in white only.

### Environment

Rated for dry or damp locations in operating ambient temperatures of 0-40°C (32-104°F).

**LED lighting facts**  
A Program of the U.S. DOE

---

**Light Output (Lumens)** 3494  
**Watts** 42.7  
**Lumens per Watt (Efficacy)** 82

---

**Color Accuracy**  
Color Rendering Index (CRI) 83

---

**Light Color**  
Correlated Color Temperature (CCT) 3000 (Bright White)

2700K 3000K 4500K 6500K

---

All results are according to IESNA LM-79-08: Approved Method for the Electrical and Photometric Testing of Solid-State Lighting. The U.S. Department of Energy (DOE) verifies product test data and results.

Visit [www.lightingfacts.com](http://www.lightingfacts.com) for the Label Reference Guide.

Registration Number: F46Z-DYB872 (2/7/2012)  
Model Number: 9"14D\*\*\*LC36  
Type: Surface-mounted or recessed troffers

