

Vectra



Project Name

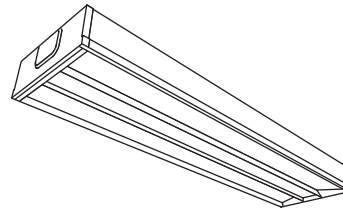
Spec Type

Notes

Recessed

1'x4'

1 T5HO



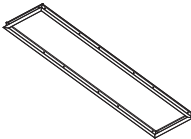


Order Guide

Some combinations of product options may not be available. Consult factory for assistance with your specification.

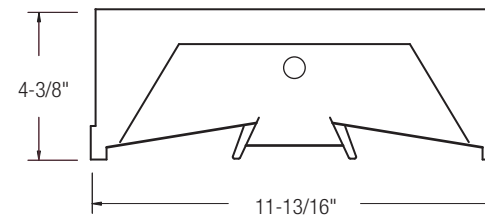
9714			H154	-		-		-		-	
Product Series & Size	Version	Configuration	Lamping	Housing	Wiring	Voltage	Ballast				
Vectra 1'x4'	D1 Standard T-Grid	ST Standalone CR Continuous Row SMS Standalone Master/Satellite CMS Continuous Row Master/Satellite	1 T5HO (54W)	S Standard (22ga.) C Chicago Plenum T Standard w/ Frame Restraint	1 1 cct 5 1 cct w/ Battery Pack 7 1 cct Dimming	1 120V 2 277V 3 347V	E Standard Ballast				
	See details on next page				Consult website for complete list of standard wiring options		Consult website for ballast manufacturer information				

Upgrades & Accessories

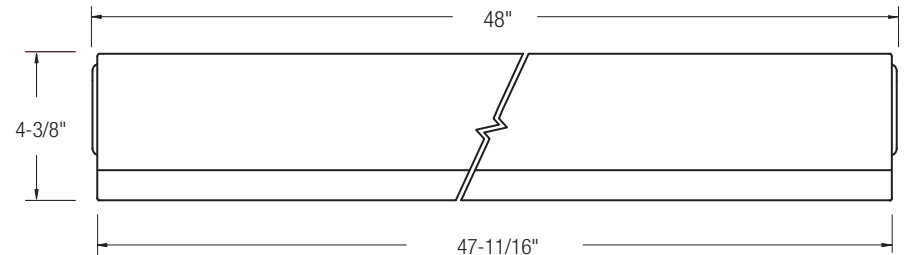
Please indicate with check mark.

- | | |
|--|---|
| <input type="checkbox"/> Lamps Included | <input type="checkbox"/> Lamps Included & Installed |
| <input type="checkbox"/> Job Pack | <input type="checkbox"/> Flex Whip |
| <input type="checkbox"/> Drywall Kit
 | Can be mounted to wood frame or with hanger wire
 Wood Frame
 Hanger Wire |
| <input type="checkbox"/> Response Daylight
For details visit www.ledalite.com/response | |

Cross Section

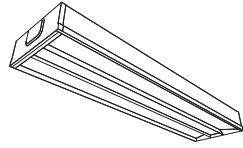


Side View



Vectra

Recessed
1'x4'
1 T5HO



Photometry

Report Summary

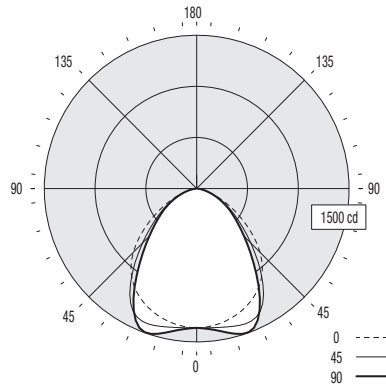
Report # 9900321
Filename 9714D1H154.ies
Efficiency 70.3%

Spacing Criteria 1.3 @ 0° along
1.3 @ 90° across

Meets RP-1-04 recommendations for VDT-Normal spaces

Candela Distribution

Vertical Angle	Horizontal Angle					Zonal Lumens
	0	22.5	45	67.5	90	
0	1363	1363	1363	1363	1363	133
5	1356	1359	1367	1375	1380	133
15	1312	1338	1395	1448	1471	395
25	1232	1291	1388	1429	1421	620
35	1101	1152	1136	1070	1026	688
45	882	854	755	690	660	592
55	575	531	462	436	423	433
65	296	285	261	254	246	267
75	104	113	113	108	103	120
85	14	22	21	21	19	25
90	0	0	0	0	0	



Coefficients of Utilization (%)

Ceiling: Wall:	80				70				50				0			
	70	50	30	10	70	50	30	10	70	50	30	10	70	50	30	10
0 RCR	83	83	83	83	82	82	82	78	78	78	70	70	70	70	70	70
1	77	74	72	70	76	73	71	70	68	66	61	61	61	61	61	61
2	71	66	62	58	69	65	61	62	59	56	52	52	52	52	52	52
3	66	59	54	50	64	58	53	56	52	48	45	45	45	45	45	45
4	60	53	47	43	59	52	47	50	46	42	40	40	40	40	40	40
5	56	48	42	38	54	47	41	45	41	37	35	35	35	35	35	35
6	52	43	37	33	51	43	37	41	36	33	31	31	31	31	31	31
7	48	39	34	30	47	39	33	38	33	29	28	28	28	28	28	28
8	45	36	30	27	44	36	30	35	30	26	25	25	25	25	25	25
9	42	33	28	24	41	33	28	32	27	24	22	22	22	22	22	22
10	39	31	25	22	39	30	25	30	25	22	20	20	20	20	20	20

Based on a floor reflectance of 0.2

Avg. Luminance (cd/m²)

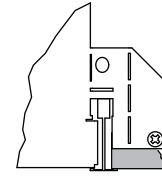
Vertical Angle	Horizontal Angle		
	0	45	90
55	2991	2403	2200
65	2090	1843	1737
75	1199	1303	1187
85	479	719	650

IES files for this and other photometric options can be downloaded online at www.ledalite.com

Additional Information

Mounting

Integrates with most common T-bar ceiling types.

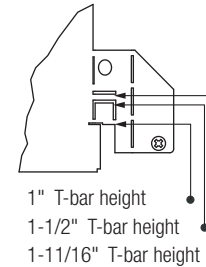


D1 Standard T-Grid

Option D1 works with 9/16" and 15/16" flat T-grid ceilings. It can also be used with slot T-grid ceilings, but it will not sit flush with the bottom of the T-bar.

Ceiling Types

Integrated mounting tabs can be field-adjusted to various T-bar ceiling heights for fastening directly to the T-bar grid and/or tied-off to the building structure.



1" T-bar height
1-1/2" T-bar height
1-11/16" T-bar height

Specifications

Due to continuing product improvements, Ledalite reserves the right to change specifications without notice.

Housing

Die-formed, post-painted, 22 gauge cold-rolled steel (New York City version is 20 gauge). Wire entrances are positioned on the side of the housing to allow easy wiring access for the installer. Multiple wire entrances are available on top or side to allow continuous row mounting of fixtures. Optional frame restraint is available to provide additional support to the optical frame.

Weight

Maximum 30 lbs.

Optical System

Optical assembly consists of flat acrylic panels and flat acrylic lens. A protected MesoOptics® film layer creates optimal light distribution and high efficiency. The optical frame ends are constructed from die-formed cold-rolled steel assembled together with extruded aluminum profiles in a sturdy frame. The frame is hinged to allow easy access to the inside of the fixture. Maintenance can be performed from below the ceiling without tools. No hardware is visible.

Mounting

Fixture is compatible with most ceiling types. Integrated bend-out tabs are provided for different T-grid heights. Optional drywall kit is available for non-accessible ceilings. Use screws or hanger wire (supplied by others) to secure fixture.

Ballast

Electronic. Supplied with pre-installed ballast disconnects as per national electric codes.

Wiring

Optional flex whips are supplied in 6' lengths for 1x4, 2x2 and 2x4 fixtures. Flex connectors are supplied in 9' lengths for standard master/satellite configurations.

Air Return

Air return option available in 2'x2' and 2'x4' sizes only. Side rails are finished in black.

Approvals

Certified to UL & CSA Standards.
City of Chicago Approved CCEA (housing option C).
Designed to comply with NYC code requirements (Housing Option N).

Finish

Housing and Frame: Post-painted, high quality powder coat. Available in white only.