



# Linear

## TruGroove Wall LED

Indirect/Direct Asymmetric  
CRI >80 4000K, 3500 lm/4ft



Project: \_\_\_\_\_  
Spec Type: \_\_\_\_\_  
Catalog No: 2925LADWW  
Qty: \_\_\_\_\_  
Line Notes: \_\_\_\_\_

TruGroove LED is driving performance beyond the edge. Innovative optics deliver exceptional uniformity and wide row spacing from a 3” aperture continuous line-of light. An extended family and refined design are perfect for lighting any professional space.

### Ordering guide

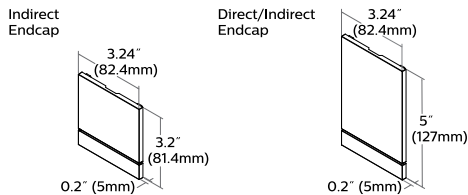
Product Type	Source	Color Temp *	Lumens *	Lower Optics	Upper Optics	Run Length	Wiring †	Voltage	Driver	Finish
2925	L	A	D	W	W					
TruGroove Wall Indirect/Direct	L LED	A 4000K B 3500K C 3000K	D 5200 lm/4ft (55/45) C 4600 lm/4ft (70/30) D 3500 lm/4ft (55/45)	W Asymmetric MesoOptics	W Asymmetric Performance	04 4' 06 6' 08 8' XX Total run length (2' increments)	1 1cct 2 2 cct Up/Down 3 1 cct w/ EM cct 5 1 cct w/ BP 7 1 cct w/ Dimming	1 120V 2 277V 3 347V	E Philips Advance  Other drivers available - consult factory	W Standard White T Titanium Silver B Black X Custom

\* Nominal values within a range. Consult ies file for exact color temp, lumens and up/down distribution † Consult website for complete list of standard wiring options

### Mounting Hardware

**Wall** **Mount Type**  
Consult separate mounting spec sheet for mount type options

**Endcaps** - Flat Grooved



**Integrated Controls** Please indicate with check mark.

No Options Available

# TruGroove Wall Indirect/Direct Asymmetric LED

CRI >80 4000K, 3500 lm/4ft

## Housing

Precision aluminum extrusion, post painted.

## Weight

Maximum: Suspended & Surface 3.9lb/ft, Wall 4.1lb/ft & 2'x2' Corner unit 21lb

## Optical System

**Upper hemisphere:** White light emitted from a linear array of upward-facing LEDs is shaped into a homogeneous, wide-throw batwing distribution using either a freeform elliptical lens or an engineered light guide panel.

**Lower hemisphere:** White light emitted from a linear array of downward-facing LEDs is laterally redirected using either a biconvex lens or optical microstructures embedded in a layer of MesoOptics DX film. An extruded acrylic lens and MesoOptics film assembly then generate an optimal batwing distribution and a uniform continuum of light.

## Standard Driver

Dimming: 0-10V - 5-100%. Output is Class 2 rated.

## Electrical

Factory pre-wired to section ends with quick-wire connectors.

## Mounting

**Suspended:** Variable sling mount allows +/- 5" of horizontal adjustment from joint or end. Aircraft cable and tamper-resistant gripper provide unlimited vertical adjustment. Aircraft cable, crimp and gripper are independently tested to meet stringent safety requirements.

**Wall:** Hidden steel mounting brackets are provided for attachment to existing structure and hold housings close to the wall. Mounts are variable positioning, but should be no more than 4-1/2ft on center and within 12" of an end or joint.

**Surface:** Fixture is mounted flush to surface using hidden brackets. Brackets attach to existing structure, variable within 0.6"-1.7" of end or joint.

## Joints

Self-aligning joining system with hands-free pre-joining wire access.

## Endcaps

Diecast flat aluminum endcaps with integral groove to match housing.

## Finish

High quality powder coated, available in matte white, black or titanium silver. Other custom colors available on request.

## Approvals

Certified to UL, CSA and IES standards.

## Lumen Maintenance

At an ambient temperature of 25°C, the LED lumen maintenance expectation is:

L80 (12k) >60,000h according to IES TM-21-11 Addendum A Reported methodology

L80 (6k) 110,000h according to IES TM-21-11 Projected methodology

## Warranty

Philips indoor professional luminaires 5 year LED warranty:

<http://www.philips.com/warranties>

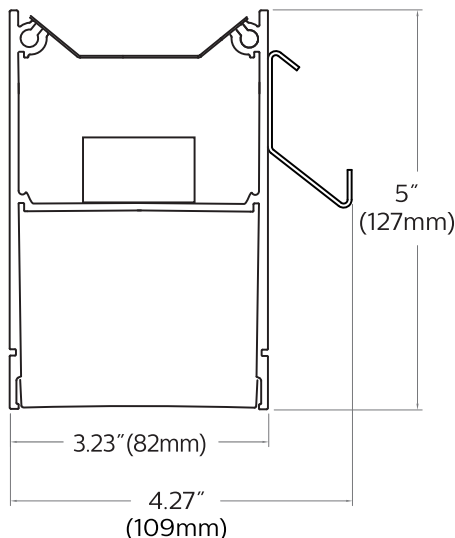
## Environment

Rated for dry or damp locations in operating ambient temperatures 0-40°C (32-104°F). Certain luminaire components may be adversely affected by contaminants. Damage caused by sulfur, chlorine, petroleum based solutions or other contaminants are not covered under warranty.

Due to continuing product improvements, Philips Ledalite reserves the right to change the specifications without notice.

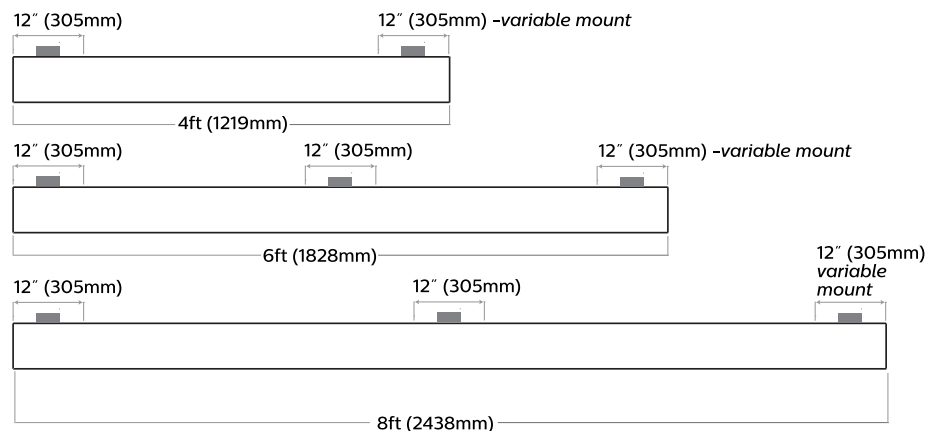
## Options and Details

### Cross Section



### Modules

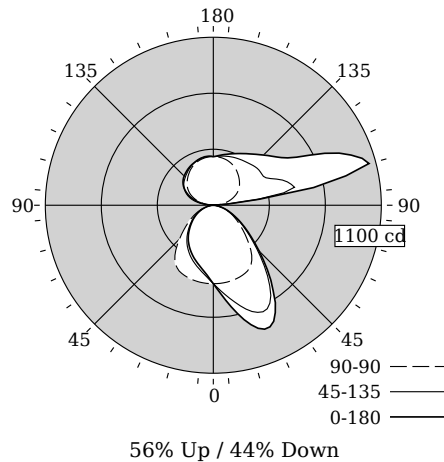
#### Wall Mount Without Endcaps - Top View



# TruGroove Wall Indirect/Direct Asymmetric LED

CRI >80 4000K, 3500 lm/4ft

## Photometry



Total Output	3115 lm
Efficacy	108.9 lm/W
CCT	4070K
CRI	83
R9	13
Distribution	56% Up / 44% Down
Spacing Criteria (0/45/180°)	1.66/1.34/0.92
Meets RP-1-04 recommendations for VDT-Intensive spaces	

Values per 4ft unit

Fixture photometry has been conducted by an NVLAP accredited testing laboratory in accordance with IESNA LM-79-08

Lumen maintenance of the LEDs has been tested by the manufacturer in accordance with IESNA LM-80-08

IES files for this and other photometric options can be downloaded online at [www.lightingproducts.philips.com](http://www.lightingproducts.philips.com)

## Candela Distribution

Vertical Angle	Horizontal Angle					Zonal Lumens
	0	45	90	135	180	
0	514	514	514	514	514	0
5	585	563	514	473	460	50
15	775	682	507	414	394	155
25	878	770	492	361	341	255
35	683	644	439	301	286	290
45	425	403	313	232	221	246
55	250	238	203	168	161	183
65	138	135	124	110	106	122
75	63	61	58	55	54	62
85	12	11	12	13	14	15
90	0	0	0	0	0	0
95	102	89	31	46	33	97
105	1056	529	103	144	122	342
115	805	413	164	201	193	319
125	544	377	207	236	242	273
135	465	368	240	259	270	239
145	411	353	270	282	289	197
155	373	343	295	304	304	148
165	346	332	311	318	318	92
175	325	321	318	321	323	31
180	318	318	318	318	318	0

## Coefficients of Utilization (%)

RCR	Ceiling					Wall					0				
	70	50	30	10	70	50	30	10	50	30	10	0	0	0	
0	106	106	106	106	97	97	97	80	80	80	44				
1	97	93	89	86	89	85	82	71	69	67	38				
2	89	82	76	71	81	75	70	63	59	56	33				
3	81	72	65	59	74	66	60	56	51	47	28				
4	74	64	56	51	68	59	52	50	45	41	24				
5	68	57	49	43	62	53	46	44	39	35	21				
6	63	51	43	38	58	47	40	40	35	31	19				
7	58	46	39	33	53	43	36	36	31	27	17				
8	54	42	35	29	50	39	32	33	28	24	15				
9	50	38	31	26	46	36	29	30	25	22	14				
10	47	35	28	23	43	33	26	28	23	20	13				

## Avg. Luminance (cd/m2)

Vertical Angle	Horizontal Angle		
	0	90	180
55	4682	3801	3016
65	3509	3163	2685
75	2603	2387	2259
85	1418	1418	1677

## Electrical Specifications

Input Voltage	120V	277V
Input Power	28.6W	28.2W
Input Current	0.24A	0.11A
Power Factor	0.995	0.944
Total Harm. Distortion	7.8%	15.2%
Tested values – contact technical support for rated values. Off-state power zero unless certain controls are specified.		

© 2015 Koninklijke Philips N.V. All rights reserved. Philips reserves the right to make changes in specifications and/or to discontinue any product at any time without notice or obligation and will not be liable for any consequences resulting from the use of this publication. [philips.com/luminaires](http://philips.com/luminaires)  
[www.philips.com/luminaires](http://www.philips.com/luminaires)



Philips Lighting, North America Corporation  
200 Franklin Square Drive, Somerset, NJ 08873  
Tel. 855-486-2216

Imported by: Philips Lighting,  
A division of Philips Electronics Ltd.  
281 Hillmount Rd, Markham, ON, Canada L6C 2S3  
Tel. 800-668-9008