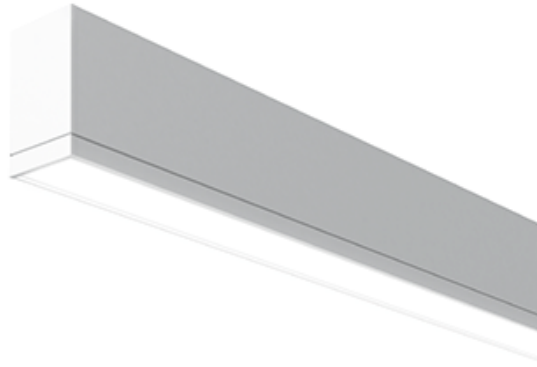




# Linear

## TruGroove wall

3500 lm/4ft, Indirect/Direct Asym  
3000/3500/4000K



Project: \_\_\_\_\_  
 Spec Type: \_\_\_\_\_  
 Catalog No: 2925LxDWW \_\_\_\_\_  
 Qty \_\_\_\_\_  
 Line Notes: \_\_\_\_\_

TruGroove suspended, surface & wall is driving performance beyond the edge. Innovative optics deliver exceptional uniformity and wide row spacing from a 3" aperture continuous line-of light. An extended family and refined design are perfect for lighting any professional space.

### Ordering guide

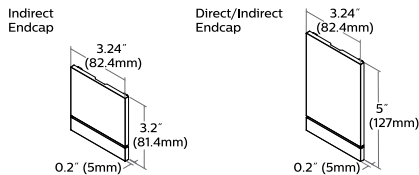
Product Type	Source	Color Temp *	Lumens *	Lower Optics	Upper Optics	Run Length	Wiring †	Voltage	Driver	Finish
2925	L		D	W	W					
TruGroove wall Indirect/ Direct	L LED	A 4000K B 3500K C 3000K	B 5200 lm/4ft (55/45) C 4600 lm/4ft (70/30) D 3500 lm/4ft (55/45)	W Asymmetric MesoOptics	W Asymmetric Performance	04 4' 06 6' 08 8' XX Total run length (2' increments)	7 1 cct Dimming G 2 cct Up/Dn Dimming M 1 cct Dimming + EM Wiring N 1 cct Dimming + EM Batt. Pack	1 120V 2 277V 3 347V	E Philips Advance 0-10V (1% dim)	W Standard White T Titanium Silver B Black C Custom

\* Nominal values within a range. Consult photometry data for color temp, lumens & distribution of chosen configuration.  
 † Not all wiring types are available with all configurations. Consult Philips Ledalite for a complete list of available options.

### Mounting Hardware

**Mount Type**  
 Consult separate mounting spec sheet for mount type options:  
**Ledalite Suspended Mounting Options**

#### Endcaps - Flat Grooved



# TruGroove wall

3500 lm/4ft, Indirect/Direct Asym

3000/3500/4000K

## Optical System

**Upper hemisphere:** White light emitted from a linear array of upward-facing LEDs is shaped into a homogeneous, wide-throw batwing distribution using either a freeform elliptical lens or an engineered light guide panel.

**Lower hemisphere:** White light emitted from a linear array of downward-facing LEDs is laterally redirected using either a biconvex lens or optical microstructures embedded in a layer of MesoOptics DX film. An extruded acrylic lens and MesoOptics film assembly then generates an optimal batwing distribution and a uniform continuum of light.

## Endcaps

Diecast flat aluminum endcaps with integral groove to match housing.

## Finish

High quality powder coated, available in matte white, black or titanium silver. Other custom colors available on request. White sensors only.

## Housing

Precision aluminum extrusion, post painted.

## Weight

Maximum: Suspended & Surface 3.9lb/ft, Wall 4.1lb/ft & 2'x2' Corner unit 21lb

## Electrical

Factory pre-wired to section ends with quick-wire connectors.

## QuickShip

Available for certain configurations upon request. More information is available in the links below:

[QuickShip ColorCoded Guide](#)

[QuickShip Order Guide](#)

## Standard Drivers

Philips Advance Xitanium 0-10V, 1-100%.  
Philips Advance Xitanium SR, 5-100% (for SpaceWise DT).

Class 2 rated output. Consult Philips Ledalite for other available drivers.

## Standard Battery Pack

Philips Bodine, 90 min, 10W, Class 2 rated output, Emergency lumen output = 10W x luminaire efficacy x 11. Typical output: 1100lm.

## Lumen Maintenance

At an ambient temperature of 25°C, the LED lumen maintenance expectation according to IES TM-21-11 is: L80 (12k) 60,000 hrs (**Reported** methodology)  
L80 (6k) 110,000 hrs (**Projected** methodology).

## Source Color

LEDs rated for color rendering CRI >80, R9 >0 and fixture to fixture color accuracy within 2 SDCM.

## Controls

Suspended version available with the following integrated controls:

Response daylight sensor (for single zone).

SpaceWise DT occupancy & daylight sensor w/ advanced grouping & dwell time.

SpaceWise DT commissioning via Android phone and Philips Field App. Compatible dimming wireless wall switches are available. For more information, please refer to [www.philips.com/spacewise](http://www.philips.com/spacewise)

## Mounting

**Suspended:** Variable sling mount allows +/- 5" of horizontal adjustment from joint or end. Aircraft cable and tamper-resistant gripper provide unlimited vertical adjustment and are independently tested to stringent safety standards.

**Wall:** A hidden steel rail and bracket system attaches to the existing structure and supports housings close to the wall. Mount positioning is fully variable along the modules to accommodate site conditions, spaced up to 4½' on center and within 12" of an end or joint.

**Surface:** Fixture is mounted flush to surface using hidden brackets that attach to existing structure, variable between 0.6"-1.7" from end or joint.

## Joints

Self-aligning joining system with hands-free pre-joining wire access.

## Approvals

Certified to UL, CSA and IES standards. Certain symmetric indirect/direct and indirect versions are DesignLights Consortium® qualified. Please see the DLC QPL list for exact catalog numbers ([www.designlights.org/QPL](http://www.designlights.org/QPL)).

## Warranty

Five-year luminaire limited warranty including LED boards and driver.

[USA: Warranty Support](#)

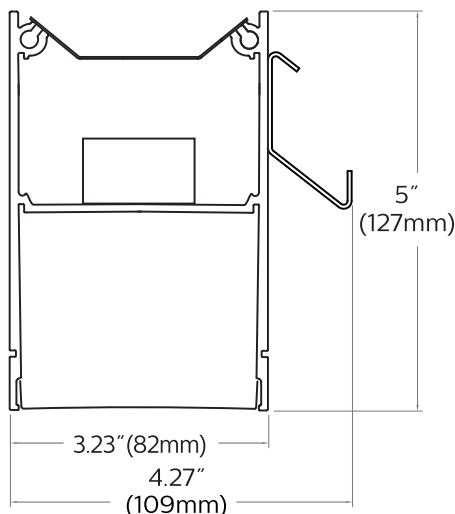
[Canada: Warranty Support](#)

## Environment

Rated for dry or damp locations in operating ambient temperatures 0-40°C (32-104°F). Certain luminaire components may be adversely affected by contaminants. Damage caused by sulfur, chlorine, petroleum based solutions or other contaminants in the area of operation are not covered under warranty. Not suitable for natatorium environments.

Due to continuing product improvements, Philips Ledalite reserves the right to change the specifications without notice.

## Dimensions - Cross Section



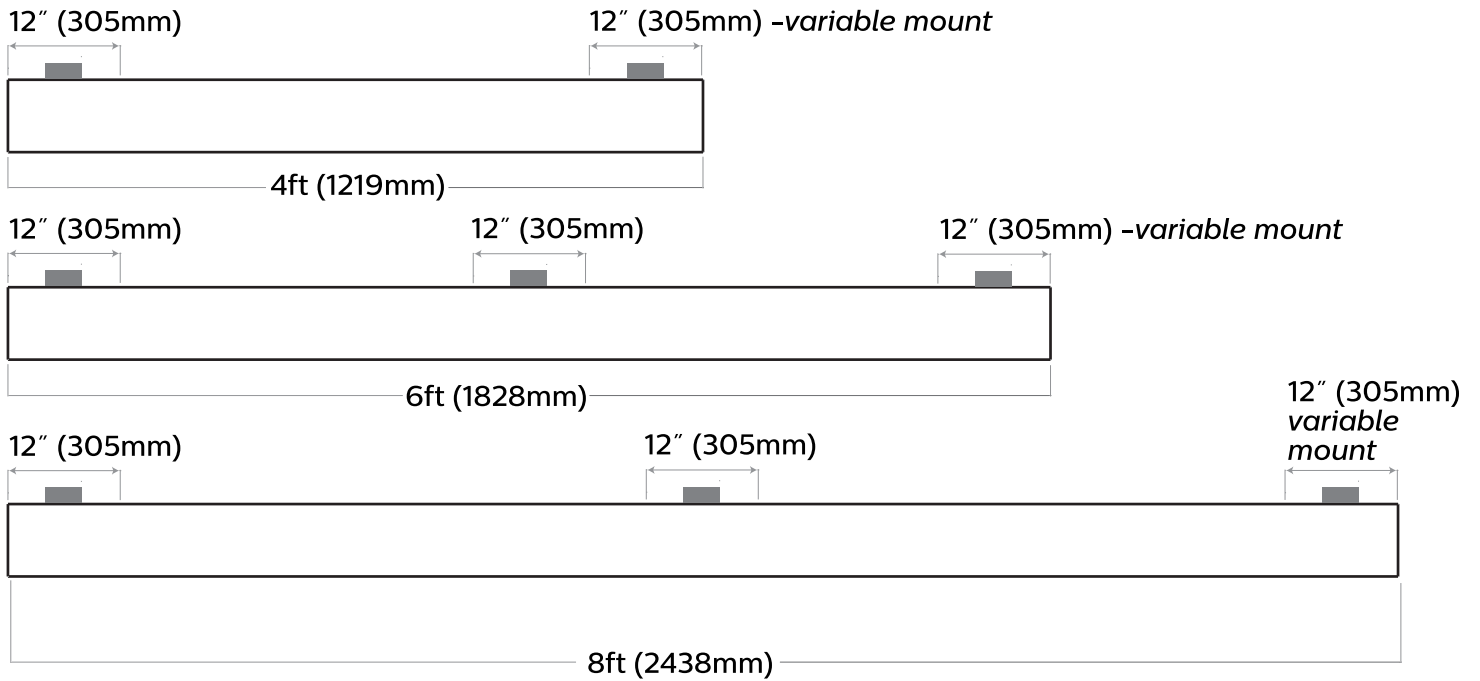
# TruGroove wall

3500 lm/4ft, Indirect/Direct Asym

3000/3500/4000K

## Dimensions - Modules

### Wall Mount Without Endcaps - Top View

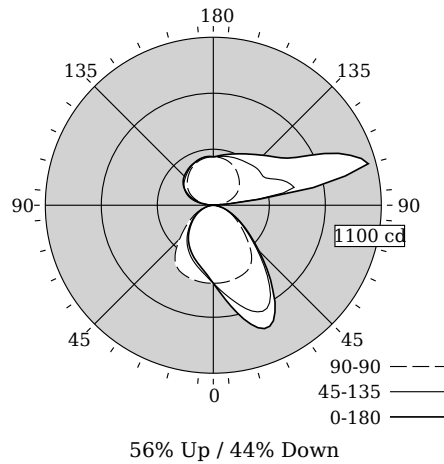


# TruGroove wall

3500 lm/4ft, Indirect/Direct Asym

3000/3500/4000K

## Photometry - 3500K



### Candela Distribution

Vertical Angle	Horizontal Angle				Zonal Lumens
	0	45	90	135	
0	511	511	511	511	0
5	592	560	511	470	50
15	771	679	505	412	154
25	874	766	489	359	254
35	680	641	437	300	288
45	423	401	311	231	220
55	249	237	202	168	182
65	137	134	124	109	122
75	62	60	57	55	62
85	11	10	11	13	14
90	0	0	0	0	0
95	101	89	31	46	32
105	1051	526	103	143	122
115	801	412	163	200	192
125	541	376	206	235	240
135	463	366	239	258	269
145	409	351	269	281	288
155	372	341	293	302	303
165	344	330	309	316	317
175	323	320	316	320	321
180	317	317	317	317	317

Values per 4ft unit

Fixture photometry has been conducted in accordance with IESNA LM-79-08

IES files for this and other photometric options can be downloaded online at [www.lightingproducts.philips.com](http://www.lightingproducts.philips.com)

### Coefficients of Utilization (%)

RCR	Ceiling											
	70	50	30	10	70	50	30	10	50	30	10	0
0	106	106	106	106	97	97	97	80	80	80	44	0
1	97	93	89	86	89	85	82	71	69	67	38	0
2	89	82	76	71	81	75	70	63	59	56	33	0
3	81	72	65	59	74	66	60	56	51	47	28	0
4	74	64	56	51	68	59	52	50	45	41	24	0
5	68	57	49	43	62	53	46	44	39	35	21	0
6	63	51	43	38	58	47	40	40	35	31	19	0
7	58	46	39	33	53	43	36	36	31	27	17	0
8	54	42	35	29	50	39	32	33	28	24	15	0
9	50	38	31	26	46	36	29	30	25	22	14	0
10	47	35	28	23	43	33	26	28	23	20	13	0

### Avg. Luminance (cd/m2)

Vertical Angle	Horizontal Angle		
	0	90	180
55	4659	3783	3003
65	3494	3150	2672
75	2591	2375	2246
85	1406	1406	1665

### Distribution

Hemisphere	56% Up / 44% Down
Glare Control	Meets RP-1-12 recommendations for VDT-Critical spaces
Spacing Along (0°)	1.66
Spacing Across (90°)	1.34
Spacing at 180°	0.92

# TruGroove wall

3500 lm/4ft, Indirect/Direct Asym

3000/3500/4000K

## Optical Performance @ 120V

Nominal CCT:	3000K	3500K	4000K
Flux (lm)	3053	3100	3115
Efficacy (lm/W)	107.1	108.8	108.9
Power (W)	28.5	28.5	28.6
CCT (K)	3096	3428	4070
CRI	81	82	83
R9	4	7	13
x	0.4331	0.4122	0.3783
y	0.4077	0.3999	0.3783
Duv	0.0020	0.0030	0.0010

## Electrical Performance - 3500K

Input Voltage	120V	277V	347V
Input Power	28.5W	28.1W	25.0W
Input Current	0.24A	0.11A	0.08A
Power Factor	0.995	0.944	0.943
Total Harm. Distortion	7.8%	15.2%	12.0%

Tested values – contact technical support for rated values. Off-state power zero unless certain controls are specified.

