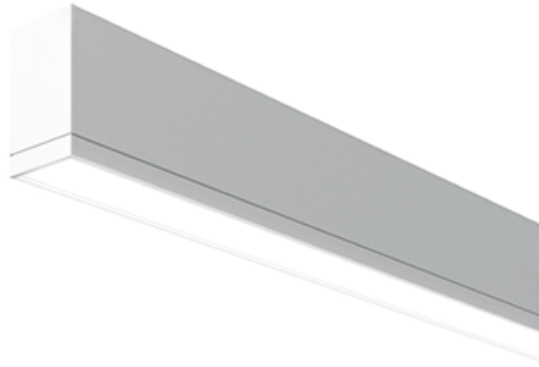




Linear

TruGroove Wall LED

Indirect/Direct Asymmetric
CRI >80 3500K, 4600 lm/4ft



Project: _____
 Spec Type: _____
 Catalog No: 2925LBCWW
 Qty: _____
 Line Notes: _____

TruGroove LED is driving performance beyond the edge. Innovative optics deliver exceptional uniformity and wide row spacing from a 3” aperture continuous line-of light. An extended family and refined design are perfect for lighting any professional space.

Ordering guide

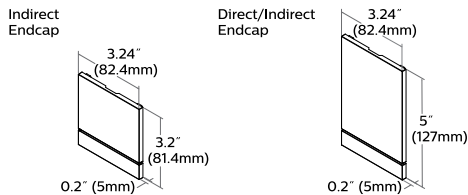
Product Type	Source	Color Temp *	Lumens *	Lower Optics	Upper Optics	Run Length	Wiring †	Voltage	Driver	Finish
2925	L	B	C	W	W					
TruGroove Wall Indirect/Direct	L LED	A 4000K B 3500K C 3000K	B 5200 lm/4ft (55/45) C 4600 lm/4ft (70/30) D 3500 lm/4ft (55/45)	W Asymmetric MesoOptics	W Asymmetric Performance	04 4' 06 6' 08 8' XX Total run length (2' increments)	1 1cct 2 2cct Up/Down 3 1cct w/ EM cct 5 1cct w/ BP 7 1cct w/ Dimming	1 120V 2 277V 3 347V	E Philips Advance Other drivers available - consult factory	W Standard White T Titanium Silver B Black X Custom

* Nominal values within a range. Consult ies file for exact color temp, lumens and up/down distribution † Consult website for complete list of standard wiring options

Mounting Hardware

Wall **Mount Type**
Consult separate mounting spec sheet for mount type options

Endcaps - Flat Grooved



Integrated Controls Please indicate with check mark.

No Options Available

TruGroove Wall Indirect/Direct Asymmetric LED

CRI >80 3500K, 4600 lm/4ft

Housing

Precision aluminum extrusion, post painted.

Weight

Maximum: Suspended & Surface 3.9lb/ft, Wall 4.1lb/ft & 2'x2' Corner unit 21lb

Optical System

Upper hemisphere: White light emitted from a linear array of upward-facing LEDs is shaped into a homogeneous, wide-throw batwing distribution using either a freeform elliptical lens or an engineered light guide panel.

Lower hemisphere: White light emitted from a linear array of downward-facing LEDs is laterally redirected using either a biconvex lens or optical microstructures embedded in a layer of MesoOptics DX film. An extruded acrylic lens and MesoOptics film assembly then generate an optimal batwing distribution and a uniform continuum of light.

Standard Driver

Dimming: 0-10V - 5-100%. Output is Class 2 rated.

Electrical

Factory pre-wired to section ends with quick-wire connectors.

Mounting

Suspended: Variable sling mount allows +/- 5" of horizontal adjustment from joint or end. Aircraft cable and tamper-resistant gripper provide unlimited vertical adjustment. Aircraft cable, crimp and gripper are independently tested to meet stringent safety requirements.

Wall: Hidden steel mounting brackets are provided for attachment to existing structure and hold housings close to the wall. Mounts are variable positioning, but should be no more than 4-1/2ft on center and within 12" of an end or joint.

Surface: Fixture is mounted flush to surface using hidden brackets. Brackets attach to existing structure, variable within 0.6"-1.7" of end or joint.

Joints

Self-aligning joining system with hands-free pre-joining wire access.

Endcaps

Diecast flat aluminum endcaps with integral groove to match housing.

Finish

High quality powder coated, available in matte white, black or titanium silver. Other custom colors available on request.

Approvals

Certified to UL, CSA and IES standards.

Lumen Maintenance

At an ambient temperature of 25°C, the LED lumen maintenance expectation is:

L80 (12k) >60,000h according to IES TM-21-11

Addendum A Reported methodology

L80 (6k) 110,000h according to IES TM-21-11 Projected methodology

Warranty

Philips indoor professional luminaires 5 year LED warranty:

<http://www.philips.com/warranties>

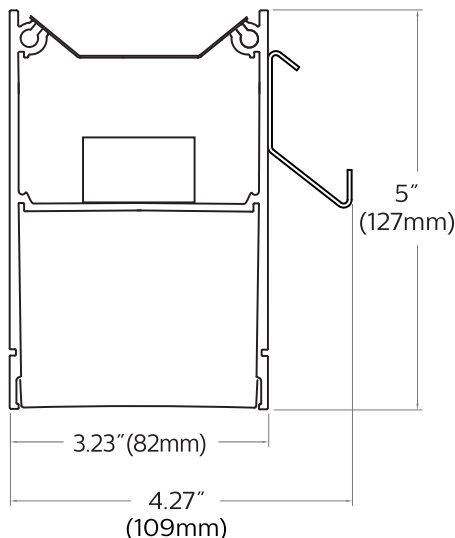
Environment

Rated for dry or damp locations in operating ambient temperatures 0-40°C (32-104°F). Certain luminaire components may be adversely affected by contaminants. Damage caused by sulfur, chlorine, petroleum based solutions or other contaminants are not covered under warranty.

Due to continuing product improvements, Philips Ledalite reserves the right to change the specifications without notice.

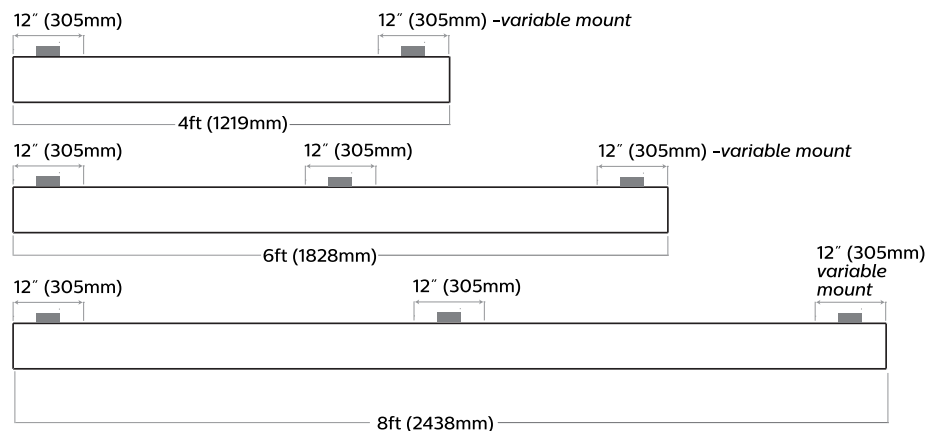
Options and Details

Cross Section



Modules

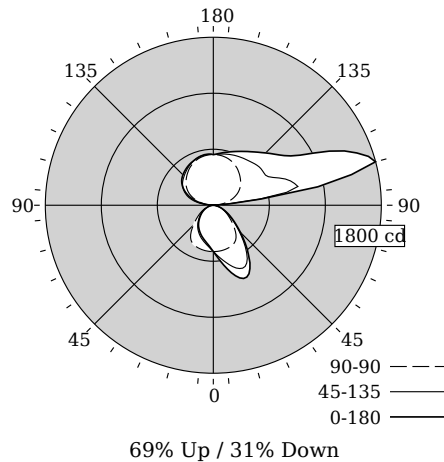
Wall Mount Without Endcaps - Top View



TruGroove Wall Indirect/Direct Asymmetric LED

CRI >80 3500K, 4600 lm/4ft

Photometry



Total Output	4294 lm
Efficacy	105.0 lm/W
CCT	3435K
CRI	82
R9	6
Distribution	69% Up / 31% Down
Peak/Zenith Ratio	3.32
Peak Output	1799 cd @ 105°
Meets RP-1-04 recommendations for VDT-Intensive spaces	

Values per 4ft unit

Fixture photometry has been conducted by an NVLAP accredited testing laboratory in accordance with IESNA LM-79-08

Lumen maintenance of the LEDs has been tested by the manufacturer in accordance with IESNA LM-80-08

IES files for this and other photometric options can be downloaded online at www.lightingproducts.philips.com

Candela Distribution

Vertical Angle	Horizontal Angle					Zonal Lumens
	0	45	90	135	180	
0	496	496	496	496	496	0
5	565	544	496	457	445	48
15	749	659	490	400	381	150
25	849	744	475	349	330	246
35	660	623	425	291	276	280
45	410	389	302	224	213	238
55	242	231	196	163	156	177
65	133	130	120	106	102	118
75	61	59	56	54	53	60
85	11	10	11	12	13	14
90	0	0	0	0	0	0
95	173	152	53	79	55	165
105	1799	901	176	246	208	583
115	1373	705	279	342	328	544
125	927	643	353	403	412	466
135	793	627	409	442	460	408
145	700	601	460	481	493	336
155	636	584	503	518	519	252
165	589	566	530	542	543	156
175	554	548	542	548	550	52
180	543	543	543	543	543	0

Coefficients of Utilization (%)

RCR	Ceiling					Wall					0
	70	50	30	10	70	50	30	10	0		
0	103	103	103	103	92	92	92	73	73	73	31
1	94	90	86	83	84	81	78	64	62	60	27
2	86	79	73	68	77	71	66	57	53	50	23
3	78	69	62	57	70	63	57	50	46	43	20
4	72	61	54	48	64	56	49	45	40	36	17
5	66	55	47	41	59	50	43	40	35	31	15
6	61	49	41	36	54	45	38	36	31	27	13
7	56	44	37	31	50	40	34	33	28	24	12
8	52	40	33	28	47	36	30	30	25	21	11
9	48	36	29	24	43	33	27	27	22	19	10
10	45	33	26	22	40	30	24	25	20	17	9

Avg. Luminance (cd/m2)

Vertical Angle	Horizontal Angle		
	0	90	180
55	4526	3674	2917
65	3392	3059	2596
75	2516	2308	2184
85	1369	1369	1615

Electrical Specifications

Input Voltage	120V	277V
Input Power	40.9W	40.8W
Input Current	0.34A	0.15A
Power Factor	0.997	0.954
Total Harm. Distortion	7.7%	14.1%
Tested values – contact technical support for rated values. Off-state power zero unless certain controls are specified.		

© 2015 Koninklijke Philips N.V. All rights reserved. Philips reserves the right to make changes in specifications and/or to discontinue any product at any time without notice or obligation and will not be liable for any consequences resulting from the use of this publication. philips.com/luminaires
www.philips.com/luminaires



Philips Lighting, North America Corporation
200 Franklin Square Drive, Somerset, NJ 08873
Tel. 855-486-2216

Imported by: Philips Lighting,
A division of Philips Electronics Ltd.
281 Hillmount Rd, Markham, ON, Canada L6C 2S3
Tel. 800-668-9008