

# Linear

## TruGroove Wall LED

Direct Asymmetric  
CRI >80 4000K, 3200 lm/4ft



Project: \_\_\_\_\_  
 Spec Type: \_\_\_\_\_  
 Catalog No: 2921LAEWN  
 Qty: \_\_\_\_\_  
 Line Notes: \_\_\_\_\_

TruGroove LED is driving performance beyond the edge. Innovative optics deliver exceptional uniformity and wide row spacing from a 3” aperture continuous line-of light. An extended family and refined design are perfect for lighting any professional space.

### Ordering guide

Product Type	Source	Color Temp *	Lumens *	Lower Optics	Upper Optics	Run Length	Wiring †	Voltage	Driver	Finish
2921	L	A	E	W	N					
TruGroove Wall Direct	L LED	A 4000K B 3500K C 3000K	E 3200 lm/4ft G 2300 lm/4ft K 1500 lm/4ft	W Asymmetric MesoOptics	N None	04 4' 06 6' 08 8' XX Total run length (2' increments)	1 1cct 3 1cct w/ EM cct 5 1cct w/ BP 7 1cct w/ Dimming	1 120V 2 277V 3 347V	E Philips Advance  Other drivers available - consult factory	W Standard White T Titanium Silver B Black X Custom

\* Nominal values within a range. Consult ies file for exact color temp, lumens and up/down distribution † Consult website for complete list of standard wiring options

### Mounting Hardware

Wall **Mount Type**  
Consult separate mounting spec sheet for mount type options

### Endcaps - Flat Grooved



### Integrated Controls Please indicate with check mark.

No Options Available

# TruGroove Wall Direct Asymmetric LED

CRI >80 4000K, 3200 lm/4ft

## Housing

Precision aluminum extrusion, post painted.

## Weight

Maximum: Suspended & Surface 3.9lb/ft, Wall 4.1lb/ft & 2'x2' Corner unit 21lb

## Optical System

**Upper hemisphere:** White light emitted from a linear array of upward-facing LEDs is shaped into a homogeneous, wide-throw batwing distribution using either a freeform elliptical lens or an engineered light guide panel.

**Lower hemisphere:** White light emitted from a linear array of downward-facing LEDs is laterally redirected using either a biconvex lens or optical microstructures embedded in a layer of MesoOptics DX film. An extruded acrylic lens and MesoOptics film assembly then generate an optimal batwing distribution and a uniform continuum of light.

## Standard Driver

Dimming: 0-10V - 5-100%. Output is Class 2 rated.

## Electrical

Factory pre-wired to section ends with quick-wire connectors.

## Mounting

**Suspended:** Variable sling mount allows +/- 5" of horizontal adjustment from joint or end. Aircraft cable and tamper-resistant gripper provide unlimited vertical adjustment. Aircraft cable, crimp and gripper are independently tested to meet stringent safety requirements.

**Wall:** Hidden steel mounting brackets are provided for attachment to existing structure and hold housings close to the wall. Mounts are variable positioning, but should be no more than 4-1/2ft on center and within 12" of an end or joint.

**Surface:** Fixture is mounted flush to surface using hidden brackets. Brackets attach to existing structure, variable within 0.6"-1.7" of end or joint.

## Joints

Self-aligning joining system with hands-free pre-joining wire access.

## Endcaps

Diecast flat aluminum endcaps with integral groove to match housing.

## Finish

High quality powder coated, available in matte white, black or titanium silver. Other custom colors available on request.

## Approvals

Certified to UL, CSA and IES standards.

## Lumen Maintenance

At an ambient temperature of 25°C, the LED lumen maintenance expectation is:  
L80 (12k) >60,000h according to IES TM-21-11 Addendum A **Reported** methodology  
L80 (6k) 110,000h according to IES TM-21-11 **Projected** methodology

## Warranty

Philips indoor professional luminaires 5 year LED warranty:  
<http://www.philips.com/warranties>

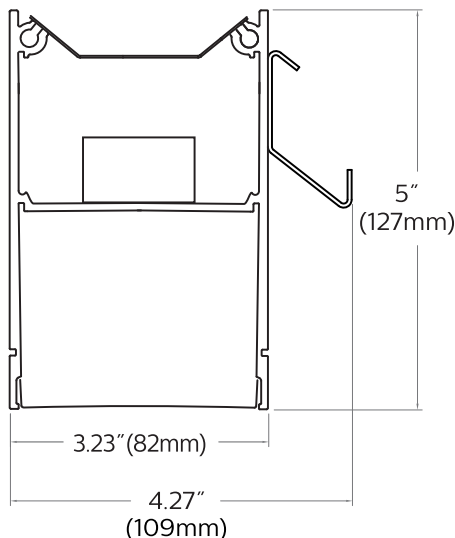
## Environment

Rated for dry or damp locations in operating ambient temperatures 0-40°C (32-104°F). Certain luminaire components may be adversely affected by contaminants. Damage caused by sulfur, chlorine, petroleum based solutions or other contaminants are not covered under warranty.

Due to continuing product improvements, Philips Ledalite reserves the right to change the specifications without notice.

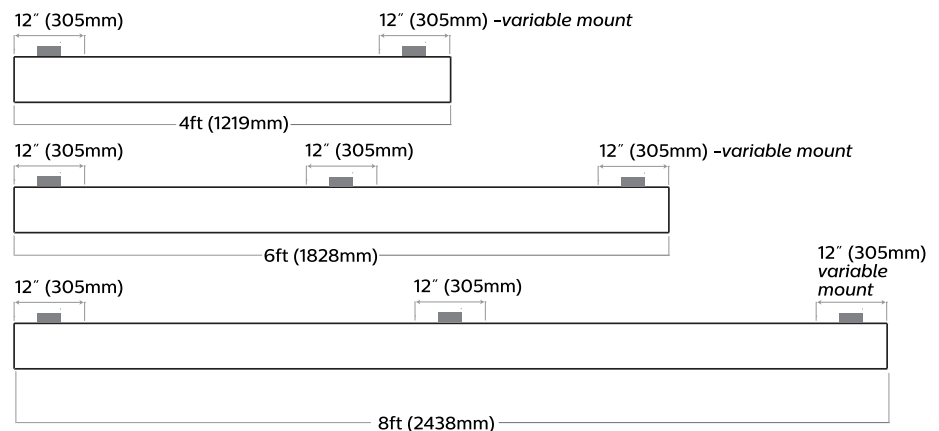
## Options and Details

### Cross Section



### Modules

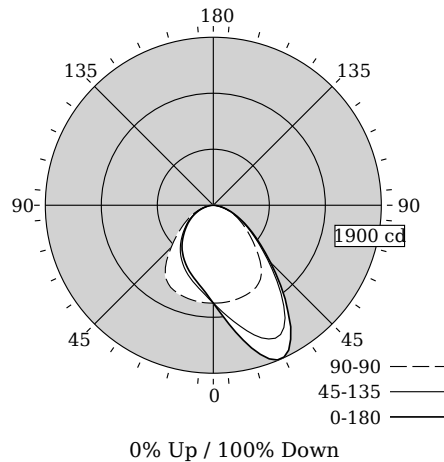
#### Wall Mount Without Endcaps - Top View



# TruGroove Wall Direct Asymmetric LED

CRI >80 4000K, 3200 lm/4ft

## Photometry



Total Output	2970 lm
Efficacy	83.4 lm/W
CCT	4065K
CRI	83
R9	13
Distribution	0% Up / 100% Down
Spacing Criteria (0/45/180°)	1.66/1.34/0.92
Meets RP-1-04 recommendations for VDT-Normal spaces	

Values per 4ft unit

Fixture photometry has been conducted by an NVLAP accredited testing laboratory in accordance with IESNA LM-79-08

Lumen maintenance of the LEDs has been tested by the manufacturer in accordance with IESNA LM-80-08

IES files for this and other photometric options can be downloaded online at [www.lightingproducts.philips.com](http://www.lightingproducts.philips.com)

## Candela Distribution

Vertical Angle	Horizontal Angle				Zonal Lumens	
	0	45	90	135		180
0	1107	1107	1107	1107	1107	0
5	1261	1213	1107	1019	992	107
15	1671	1470	1094	893	850	334
25	1894	1660	1060	778	735	550
35	1473	1389	947	649	616	625
45	916	868	674	501	476	530
55	539	514	437	363	347	395
65	298	291	268	237	228	263
75	135	131	124	120	117	134
85	25	23	25	27	29	32
90	0	0	0	0	0	0
95	0	0	0	0	0	0
105	0	0	0	0	0	0
115	0	0	0	0	0	0
125	0	0	0	0	0	0
135	0	0	0	0	0	0
145	0	0	0	0	0	0
155	0	0	0	0	0	0
165	0	0	0	0	0	0
175	0	0	0	0	0	0
180	0	0	0	0	0	0

## Coefficients of Utilization (%)

RCR	Ceiling				Wall				0			
	70	50	30	10	70	50	30	10	50	30	10	0
0	119	119	119	119	116	116	116	111	111	111	111	100
1	110	106	102	98	107	103	100	99	96	94	94	86
2	101	94	87	82	98	92	86	88	83	79	74	74
3	93	83	76	70	90	82	75	79	73	68	64	64
4	86	74	66	60	83	73	65	71	64	59	55	55
5	79	67	59	52	77	66	58	64	57	52	48	48
6	73	61	52	46	71	60	52	58	51	46	43	43
7	68	55	47	41	66	55	47	53	46	41	38	38
8	64	51	43	37	62	50	42	49	42	37	34	34
9	59	47	39	33	58	46	38	45	38	33	31	31
10	56	43	35	30	55	43	35	42	35	30	28	28

## Avg. Luminance (cd/m2)

Vertical Angle	Horizontal Angle		
	0	90	180
55	10097	8196	6506
65	7569	6823	5791
75	5618	5149	4869
85	3058	3058	3614

## Electrical Specifications

Input Voltage	120V	277V
Input Power	35.6W	35W
Input Current	0.3A	0.13A
Power Factor	0.995	0.97
Total Harm. Distortion	5.9%	12.4%
Tested values – contact technical support for rated values. Off-state power zero unless certain controls are specified.		

© 2015 Koninklijke Philips N.V. All rights reserved. Philips reserves the right to make changes in specifications and/or to discontinue any product at any time without notice or obligation and will not be liable for any consequences resulting from the use of this publication. [philips.com/luminaires](http://philips.com/luminaires)  
[www.philips.com/luminaires](http://www.philips.com/luminaires)



Philips Lighting, North America Corporation  
200 Franklin Square Drive, Somerset, NJ 08873  
Tel. 855-486-2216

Imported by: Philips Lighting,  
A division of Philips Electronics Ltd.  
281 Hillmount Rd, Markham, ON, Canada L6C 2S3  
Tel. 800-668-9008