



# Linear

## TruGroove Wall LED

Direct/Indirect Asymmetric  
CRI >80 4000K, 5200 lm/4ft



Project: \_\_\_\_\_  
 Spec Type: \_\_\_\_\_  
 Catalog No: 2926LABWW  
 Qty: \_\_\_\_\_  
 Line Notes: \_\_\_\_\_

TruGroove LED is driving performance beyond the edge. Innovative optics deliver exceptional uniformity and wide row spacing from a 3” aperture continuous line-of light. An extended family and refined design are perfect for lighting any professional space.

### Ordering guide

Product Type	Source	Color Temp *	Lumens *	Lower Optics	Upper Optics	Run Length	Wiring †	Voltage	Driver	Finish
2926	L	A	B	W	W					
TruGroove Wall Direct/Indirect	L LED	A 4000K B 3500K C 3000K	B 5200 lm/4ft (35/65) C 4600 lm/4ft (30/70) D 3500 lm/4ft (35/65)	W Asymmetric MesoOptics	W Asymmetric Performance	04 4' 06 6' 08 8' XX Total run length (2' increments)	1 1cct 2 2cct Up/Down 3 1cct w/ EM cct 5 1cct w/ BP 7 1cct w/ Dimming	1 120V 2 277V 3 347V	E Philips Advance  Other drivers available - consult factory	W Standard White T Titanium Silver B Black X Custom

\* Nominal values within a range. Consult ies file for exact color temp, lumens and up/down distribution † Consult website for complete list of standard wiring options

### Mounting Hardware

Wall **Mount Type**  
Consult separate mounting spec sheet for mount type options

### Endcaps - Flat Grooved



### Integrated Controls Please indicate with check mark.

No Options Available

# TruGroove Wall Direct/Indirect Asymmetric LED

CRI >80 4000K, 5200 lm/4ft

## Housing

Precision aluminum extrusion, post painted.

## Weight

Maximum: Suspended & Surface 3.9lb/ft, Wall 4.1lb/ft & 2'x2' Corner unit 21lb

## Optical System

**Upper hemisphere:** White light emitted from a linear array of upward-facing LEDs is shaped into a homogeneous, wide-throw batwing distribution using either a freeform elliptical lens or an engineered light guide panel.

**Lower hemisphere:** White light emitted from a linear array of downward-facing LEDs is laterally redirected using either a biconvex lens or optical microstructures embedded in a layer of MesoOptics DX film. An extruded acrylic lens and MesoOptics film assembly then generate an optimal batwing distribution and a uniform continuum of light.

## Standard Driver

Dimming: 0-10V - 5-100%. Output is Class 2 rated.

## Electrical

Factory pre-wired to section ends with quick-wire connectors.

## Mounting

**Suspended:** Variable sling mount allows +/- 5" of horizontal adjustment from joint or end. Aircraft cable and tamper-resistant gripper provide unlimited vertical adjustment. Aircraft cable, crimp and gripper are independently tested to meet stringent safety requirements.

**Wall:** Hidden steel mounting brackets are provided for attachment to existing structure and hold housings close to the wall. Mounts are variable positioning, but should be no more than 4-1/2ft on center and within 12" of an end or joint.

**Surface:** Fixture is mounted flush to surface using hidden brackets. Brackets attach to existing structure, variable within 0.6"-1.7" of end or joint.

## Joints

Self-aligning joining system with hands-free pre-joining wire access.

## Endcaps

Diecast flat aluminum endcaps with integral groove to match housing.

## Finish

High quality powder coated, available in matte white, black or titanium silver. Other custom colors available on request.

## Approvals

Certified to UL, CSA and IES standards.

## Lumen Maintenance

At an ambient temperature of 25°C, the LED lumen maintenance expectation is:

L80 (12k) >60,000h according to IES TM-21-11 Addendum A **Reported** methodology

L80 (6k) 110,000h according to IES TM-21-11 **Projected** methodology

## Warranty

Philips indoor professional luminaires 5 year LED warranty:

<http://www.philips.com/warranties>

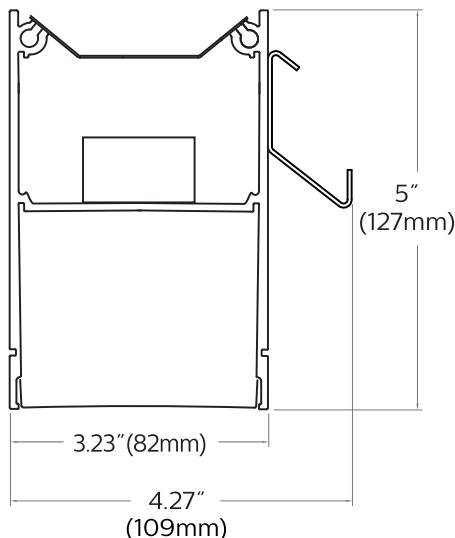
## Environment

Rated for dry or damp locations in operating ambient temperatures 0-40°C (32-104°F). Certain luminaire components may be adversely affected by contaminants. Damage caused by sulfur, chlorine, petroleum based solutions or other contaminants are not covered under warranty.

Due to continuing product improvements, Philips Ledalite reserves the right to change the specifications without notice.

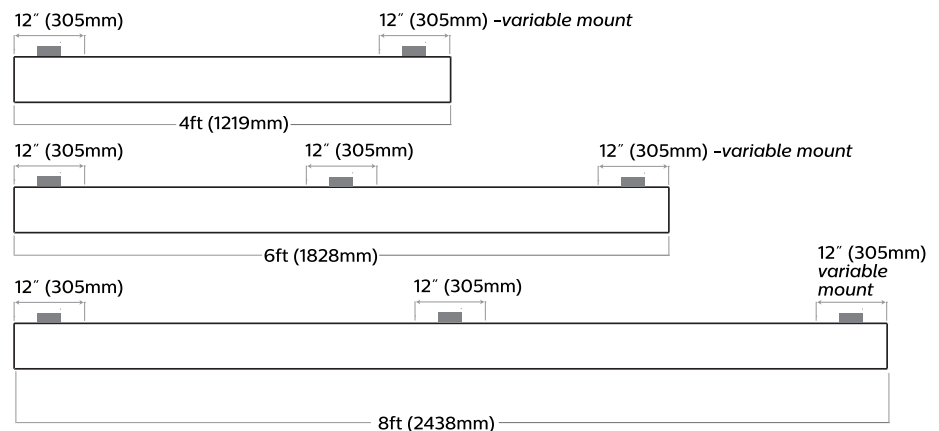
## Options and Details

### Cross Section



### Modules

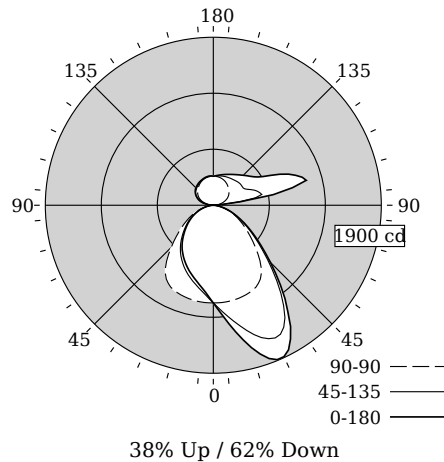
#### Wall Mount Without Endcaps - Top View



# TruGroove Wall Direct/Indirect Asymmetric LED

CRI >80 4000K, 5200 lm/4ft

## Photometry



Total Output	4756 lm
Efficacy	94.2 lm/W
CCT	4096K
CRI	83
R9	13
Distribution	38% Up / 62% Down
Spacing Criteria (0/45/180°)	1.66/1.34/0.92
Meets RP-1-04 recommendations for VDT-Normal spaces	

Values per 4ft unit

Fixture photometry has been conducted by an NVLAP accredited testing laboratory in accordance with IESNA LM-79-08

Lumen maintenance of the LEDs has been tested by the manufacturer in accordance with IESNA LM-80-08

IES files for this and other photometric options can be downloaded online at [www.lightingproducts.philips.com](http://www.lightingproducts.philips.com)

## Candela Distribution

Vertical Angle	Horizontal Angle					Zonal Lumens
	0	45	90	135	180	
0	1105	1105	1105	1105	1105	0
5	1258	1211	1105	1017	990	107
15	1667	1467	1091	891	848	334
25	1890	1656	1058	776	734	548
35	1469	1386	945	648	614	624
45	914	866	673	500	475	529
55	538	513	437	362	347	394
65	297	290	268	236	227	263
75	135	131	124	119	117	134
85	25	23	25	27	29	32
90	0	0	0	0	0	0
95	105	92	32	48	34	100
105	1088	545	107	149	126	353
115	830	426	169	207	199	329
125	561	389	214	244	249	282
135	479	379	247	267	278	247
145	423	364	278	291	298	203
155	385	353	304	313	314	153
165	356	342	320	328	328	94
175	335	331	328	331	333	32
180	328	328	328	328	328	0

## Coefficients of Utilization (%)

RCR	Ceiling					Wall					0
	70	50	30	10	70	50	30	50	30	10	
0	110	110	110	110	103	103	103	90	90	90	62
1	101	97	93	90	95	91	88	80	78	75	54
2	93	85	79	74	87	80	75	71	67	63	46
3	85	76	68	63	79	71	65	63	58	54	40
4	78	67	60	54	73	64	57	56	51	47	34
5	72	60	52	46	67	57	50	51	45	41	30
6	66	54	46	41	62	51	44	46	40	36	27
7	61	49	41	36	58	47	39	42	36	32	24
8	57	45	37	32	54	43	36	38	32	28	21
9	53	41	34	29	50	39	32	35	29	25	19
10	50	38	31	26	47	36	29	32	27	23	18

## Avg. Luminance (cd/m<sup>2</sup>)

Vertical Angle	Horizontal Angle		
	0	90	180
55	10076	8178	6492
65	7552	6809	5780
75	5605	5140	4858
85	3058	3058	3613

## Electrical Specifications

Input Voltage	120V	277V
Input Power	50.5W	49.5W
Input Current	0.42A	0.19A
Power Factor	0.992	0.963
Total Harm. Distortion	7%	13.1%
Tested values – contact technical support for rated values. Off-state power zero unless certain controls are specified.		

© 2015 Koninklijke Philips N.V. All rights reserved. Philips reserves the right to make changes in specifications and/or to discontinue any product at any time without notice or obligation and will not be liable for any consequences resulting from the use of this publication. [philips.com/luminaires](http://philips.com/luminaires)  
[www.philips.com/luminaires](http://www.philips.com/luminaires)



Philips Lighting, North America Corporation  
200 Franklin Square Drive, Somerset, NJ 08873  
Tel. 855-486-2216

Imported by: Philips Lighting,  
A division of Philips Electronics Ltd.  
281 Hillmount Rd, Markham, ON, Canada L6C 2S3  
Tel. 800-668-9008