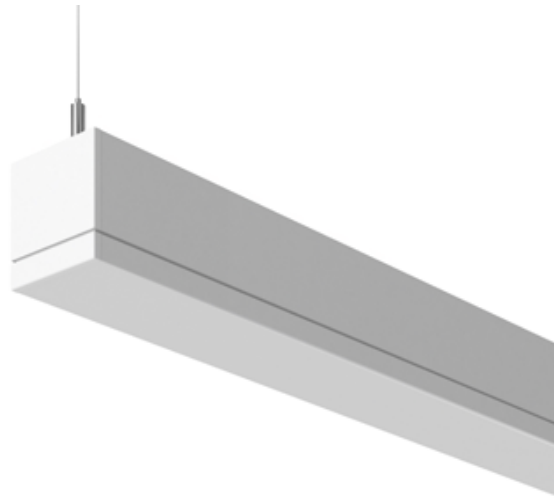




Linear

TruGroove Suspended LED

Indirect
CRI >80 4000K, 4800 lm/4ft



Project: _____
 Spec Type: _____
 Catalog No: 2903LACNQ
 Qty: _____
 Line Notes: _____

TruGroove LED is driving performance beyond the edge. Innovative optics deliver exceptional uniformity and wide row spacing from a 3” aperture continuous line-of light. An extended family and refined design are perfect for lighting any professional space.

Ordering guide

Product Type	Source	Color Temp *	Lumens *	Lower Optics	Upper Optics	Run Length	Wiring †	Voltage	Driver	Finish
2903	L	A	C	N	Q					
TruGroove Suspended Indirect	L LED	A 4000K B 3500K C 3000K	C 4800 lm/4ft E 3200 lm/4ft	N None	Q Symmetric Performance W Asymmetric Performance	04 4' 06 6' 08 8' 22 2x2' XX Total run length (2 increments)	1 1cct 3 1cct w/ EM cct 5 1cct w/ BP 7 1cct w/ Dimming	1 120V 2 277V 3 347V	E Philips Advance Other drivers available - consult factory	W Standard White T Titanium Silver B Black X Custom

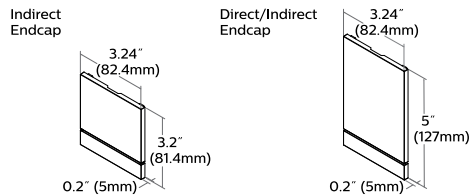
* Nominal values within a range. Consult ies file for exact color temp, lumens and up/down distribution † Consult website for complete list of standard wiring options

Mounting Hardware

Mount Type
Consult separate mounting spec sheet for mount type options

Suspension Length
Distance from ceiling to top of luminaire in inches

Endcaps -



Integrated Controls Please indicate with check mark.

No Options Available



TruGroove Suspended Indirect LED

CRI >80 4000K, 4800 lm/4ft

Housing

Precision aluminum extrusion, post painted.

Weight

Maximum: Suspended & Surface 3.9lb/ft, Wall 4.1lb/ft & 2'x2' Corner unit 21lb

Optical System

Upper hemisphere: White light emitted from a linear array of upward-facing LEDs is shaped into a homogeneous, wide-throw batwing distribution using either a freeform elliptical lens or an engineered light guide panel.

Lower hemisphere: White light emitted from a linear array of downward-facing LEDs is laterally redirected using either a biconvex lens or optical microstructures embedded in a layer of MesoOptics DX film. An extruded acrylic lens and MesoOptics film assembly then generate an optimal batwing distribution and a uniform continuum of light.

Standard Driver

Dimming: 0-10V - 5-100%. Output is Class 2 rated.

Electrical

Factory pre-wired to section ends with quick-wire connectors.

Mounting

Suspended: Variable sling mount allows +/- 5" of horizontal adjustment from joint or end. Aircraft cable and tamper-resistant gripper provide unlimited vertical adjustment. Aircraft cable, crimp and gripper are independently tested to meet stringent safety requirements.

Wall: Hidden steel mounting brackets are provided for attachment to existing structure and hold housings close to the wall. Mounts are variable positioning, but should be no more than 4-1/2ft on center and within 12" of an end or joint.

Surface: Fixture is mounted flush to surface using hidden brackets. Brackets attach to existing structure, variable within 0.6"-1.7" of end or joint.

Joints

Self-aligning joining system with hands-free pre-joining wire access.

Endcaps

Diecast flat aluminum endcaps with integral groove to match housing.

Finish

High quality powder coated, available in matte white, black or titanium silver. Other custom colors available on request.

Approvals

Certified to UL, CSA and IES standards.

Lumen Maintenance

At an ambient temperature of 25°C, the LED lumen maintenance expectation is:

L80 (12k) >60,000h according to IES TM-21-11

Addendum A **Reported** methodology

L80 (6k) 110,000h according to IES TM-21-11 **Projected** methodology

Warranty

Philips indoor professional luminaires 5 year LED warranty:

<http://www.philips.com/warranties>

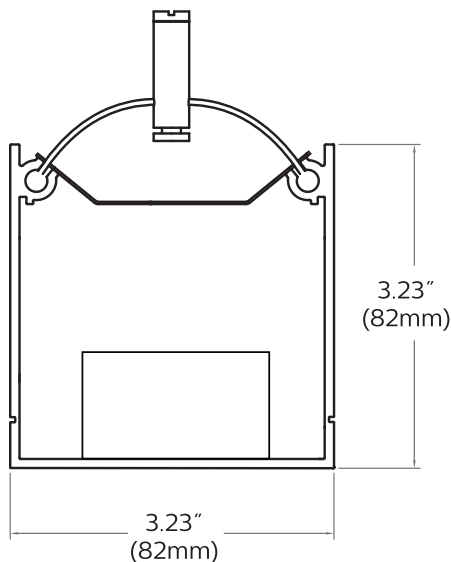
Environment

Rated for dry or damp locations in operating ambient temperatures 0-40°C (32-104°F). Certain luminaire components may be adversely affected by contaminants. Damage caused by sulfur, chlorine, petroleum based solutions or other contaminants are not covered under warranty.

Due to continuing product improvements, Philips Ledalite reserves the right to change the specifications without notice.

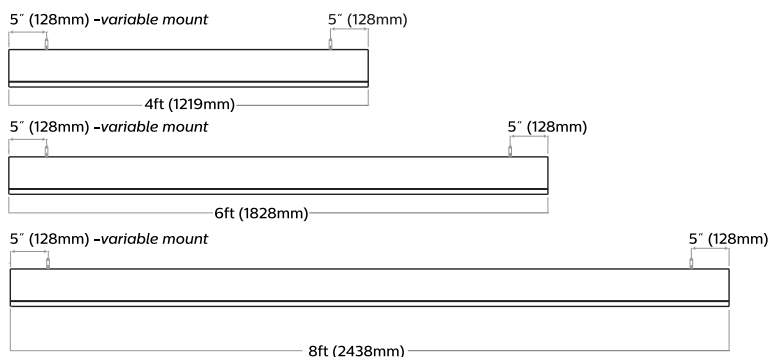
Options and Details

Cross Section

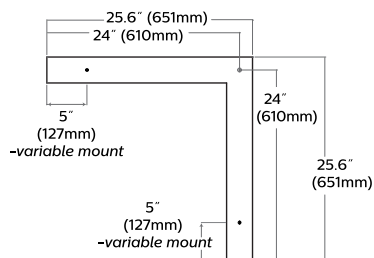


Modules

Suspended Linear Modules Without Endcaps - Side View



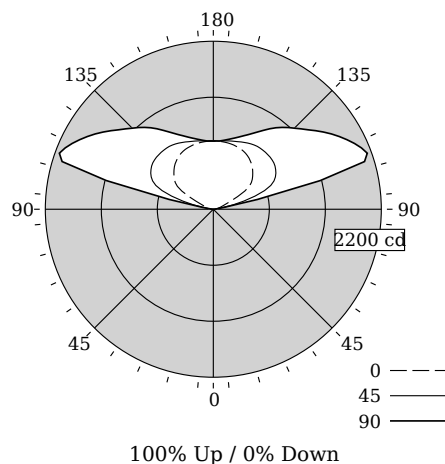
Suspended 2'x2' Corners Without Endcaps - Top View



TruGroove Suspended Indirect LED

CRI >80 4000K, 4800 lm/4ft

Photometry



Total Output	4856 lm
Efficacy	118.4 lm/W
CCT	4075K
CRI	83
R9	13
Distribution	100% Up / 0% Down
Peak/Zenith Ratio	2.40
Peak Output	2146 cd @ 110°
Meets RP-1-04 recommendations for VDT-Intensive spaces	

Values per 4ft unit

Fixture photometry has been conducted by an NVLAP accredited testing laboratory in accordance with IESNA LM-79-08

Lumen maintenance of the LEDs has been tested by the manufacturer in accordance with IESNA LM-80-08

IES files for this and other photometric options can be downloaded online at www.lightingproducts.philips.com

Candela Distribution

Vertical Angle	Horizontal Angle				Zonal Lumens	
	0	22.5	45	67.5		
0	0	0	0	0	0	
5	0	0	0	0	0	
15	0	0	0	0	0	
25	0	0	0	0	0	
35	0	0	0	0	0	
45	0	0	0	0	0	
55	0	0	0	0	0	
65	0	0	0	0	0	
75	0	0	0	0	0	
85	0	0	0	0	0	
90	0	0	0	0	0	
95	22	32	32	36	37	41
105	88	113	414	1190	1450	596
115	252	354	877	1594	2039	983
125	608	683	986	1498	1762	971
135	728	790	1010	1339	1501	824
145	816	858	1005	1189	1286	644
155	866	886	965	1042	1078	448
165	886	894	925	948	959	262
175	894	892	897	897	897	86
180	894	894	894	894	894	0

Coefficients of Utilization (%)

RCR	Ceiling				Wall				0			
	70	50	30	10	70	50	30	10	50	30	10	0
0	95	95	95	95	81	81	81	56	56	56	0	0
1	87	83	79	76	74	71	68	48	47	45	0	0
2	79	72	66	62	67	62	57	42	40	37	0	0
3	72	63	57	51	61	54	49	37	34	31	0	0
4	65	56	48	43	56	48	42	33	29	26	0	0
5	60	49	42	36	51	42	36	29	25	22	0	0
6	55	44	36	31	47	38	32	26	22	19	0	0
7	50	39	32	27	43	34	28	23	19	17	0	0
8	47	35	28	23	40	30	24	21	17	14	0	0
9	43	32	25	20	37	27	22	19	15	13	0	0
10	40	29	22	18	34	25	19	17	14	11	0	0

Avg. Luminance (cd/m2)

Vertical Angle	Horizontal Angle		
	0	45	90
55	0	0	0
65	0	0	0
75	0	0	0
85	0	0	0

Philips Ledalite

Light Output (Lumens) **4856**

Watts **41**

Lumens per Watt (Efficacy) **118.44**

Color Accuracy **83**

Color Rendering Index (CRI)

Light Color **4075 (Bright White)**

Correlated Color Temperature (CCT)

2700K 3000K 4500K 6500K

All results are according to IESNA LM-79-2008: Approved Method for the Electrical and Photometric Testing of Solid-State Lighting. The U.S. Department of Energy (DOE) verifies product test data and results.

Visit www.lightingfacts.com for the Label Reference Guide.

Registration Number: F46Z-6BH2TO (1/27/2015)
Model Number: 29x3LACNQ
Type: Luminaire - Linear

Electrical Specifications

Input Voltage	120V	277V
Input Power	41W	40.1W
Input Current	0.34A	0.15A
Power Factor	0.998	0.977
Total Harm. Distortion	4.8%	11.9%
Tested values – contact technical support for rated values. Off-state power zero unless certain controls are specified.		

© 2015 Koninklijke Philips N.V. All rights reserved. Philips reserves the right to make changes in specifications and/or to discontinue any product at any time without notice or obligation and will not be liable for any consequences resulting from the use of this publication. philips.com/luminaires
www.philips.com/luminaires



Philips Lighting, North America Corporation
200 Franklin Square Drive, Somerset, NJ 08873
Tel. 855-486-2216

Imported by: Philips Lighting,
A division of Philips Electronics Ltd.
281 Hillmount Rd, Markham, ON, Canada L6C 2S3
Tel. 800-668-9008