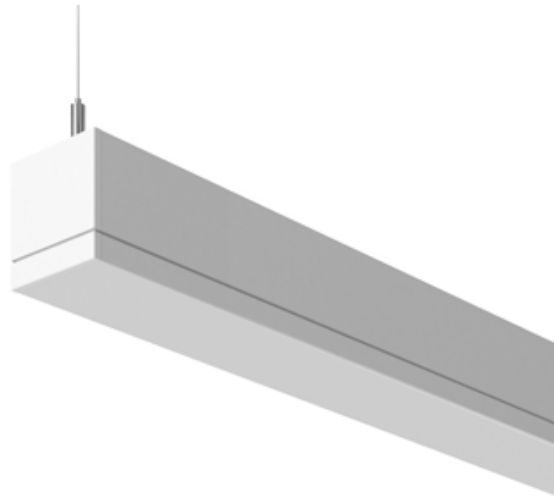




Linear

TruGroove suspended

3200 lm/4ft, Indirect
3000/3500/4000K



Project: _____
 Spec Type: _____
 Catalog No: 2903LxENQ _____
 Qty _____
 Line Notes: _____

TruGroove suspended, surface & wall is driving performance beyond the edge. Innovative optics deliver exceptional uniformity and wide row spacing from a 3” aperture continuous line-of light. An extended family and refined design are perfect for lighting any professional space.

Ordering guide

Product Type	Source	Color Temp *	Lumens *	Lower Optics	Upper Optics	Run Length	Wiring †	Voltage	Driver	Finish
2903	L		E	N	Q					
TruGroove suspended Indirect	L LED	A 4000K B 3500K C 3000K	C 4800 lm/4ft E 3200 lm/4ft	N None	Q Symmetric Performance W Asymmetric Performance	04 4' 06 6' 08 8' A4 2'x2' XX Total run length (2' increments)	7 1cct Dimming M 1cct Dimming + EM Wiring N 1cct Dimming + EM Batt. Pack	1 120V 2 277V 3 347V	E Philips Advance 0-10V (1% dim)	W Standard White T Titanium Silver B Black C Custom

* Nominal values within a range. Consult photometry data for color temp, lumens & distribution of chosen configuration.

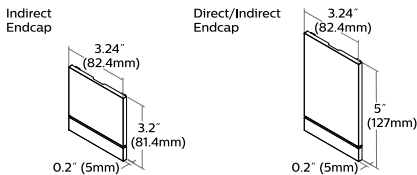
† Not all wiring types are available with all configurations. Consult Philips Ledalite for a complete list of available options.

Mounting Hardware

Mount Type
Consult separate mounting spec sheet for mount type options:
Ledalite Suspended Mounting Options

Suspension Length
Distance from ceiling to top of luminaire in inches

Endcaps - Flat Grooved



TruGroove suspended

3200 lm/4ft, Indirect

3000/3500/4000K

Optical System

Upper hemisphere: White light emitted from a linear array of upward-facing LEDs is shaped into a homogeneous, wide-throw batwing distribution using either a freeform elliptical lens or an engineered light guide panel.

Lower hemisphere: White light emitted from a linear array of downward-facing LEDs is laterally redirected using either a biconvex lens or optical microstructures embedded in a layer of MesoOptics DX film. An extruded acrylic lens and MesoOptics film assembly then generates an optimal batwing distribution and a uniform continuum of light.

Endcaps

Diecast flat aluminum endcaps with integral groove to match housing.

Finish

High quality powder coated, available in matte white, black or titanium silver. Other custom colors available on request. White sensors only.

Housing

Precision aluminum extrusion, post painted.

Weight

Maximum: Suspended & Surface 3.9lb/ft, Wall 4.1lb/ft & 2'x2' Corner unit 21lb

Electrical

Factory pre-wired to section ends with quick-wire connectors.

QuickShip

Available for certain configurations upon request. More information is available in the links below:

[QuickShip ColorCoded Guide](#)

[QuickShip Order Guide](#)

Standard Drivers

Philips Advance Xitanium 0-10V, 1-100%.
Philips Advance Xitanium SR, 5-100% (for SpaceWise DT).

Class 2 rated output. Consult Philips Ledalite for other available drivers.

Standard Battery Pack

Philips Bodine, 90 min, 10W, Class 2 rated output, Emergency lumen output = 10W x luminaire efficacy x 1.1. Typical output: 1100lm.

Lumen Maintenance

At an ambient temperature of 25°C, the LED lumen maintenance expectation according to IES TM-21-11 is: L80 (12k) 60,000 hrs (**Reported** methodology)
L80 (6k) 110,000 hrs (**Projected** methodology).

Source Color

LEDs rated for color rendering CRI >80, R9 >0 and fixture to fixture color accuracy within 2 SDCM.

Controls

Suspended version available with the following integrated controls:

Response daylight sensor (for single zone).

SpaceWise DT occupancy & daylight sensor w/ advanced grouping & dwell time.

SpaceWise DT commissioning via Android phone and Philips Field App. Compatible dimming wireless wall switches are available. For more information, please refer to www.philips.com/spacewise

Mounting

Suspended: Variable sling mount allows +/- 5" of horizontal adjustment from joint or end. Aircraft cable and tamper-resistant gripper provide unlimited vertical adjustment and are independently tested to stringent safety standards.

Wall: A hidden steel rail and bracket system attaches to the existing structure and supports housings close to the wall. Mount positioning is fully variable along the modules to accommodate site conditions, spaced up to 4½' on center and within 12" of an end or joint.

Surface: Fixture is mounted flush to surface using hidden brackets that attach to existing structure, variable between 0.6"-1.7" from end or joint.

Joints

Self-aligning joining system with hands-free pre-joining wire access.

Approvals

Certified to UL, CSA and IES standards. Certain symmetric indirect/direct and indirect versions are DesignLights Consortium® qualified. Please see the DLC QPL list for exact catalog numbers (www.designlights.org/QPL).

Warranty

Five-year luminaire limited warranty including LED boards and driver.

[USA: Warranty Support](#)

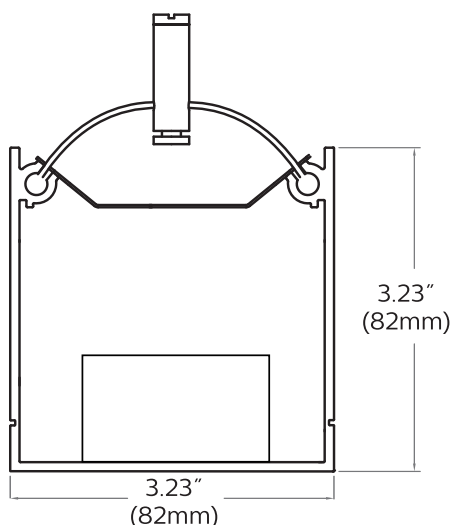
[Canada: Warranty Support](#)

Environment

Rated for dry or damp locations in operating ambient temperatures 0-40°C (32-104°F). Certain luminaire components may be adversely affected by contaminants. Damage caused by sulfur, chlorine, petroleum based solutions or other contaminants in the area of operation are not covered under warranty. Not suitable for natatorium environments.

Due to continuing product improvements, Philips Ledalite reserves the right to change the specifications without notice.

Dimensions - Cross Section



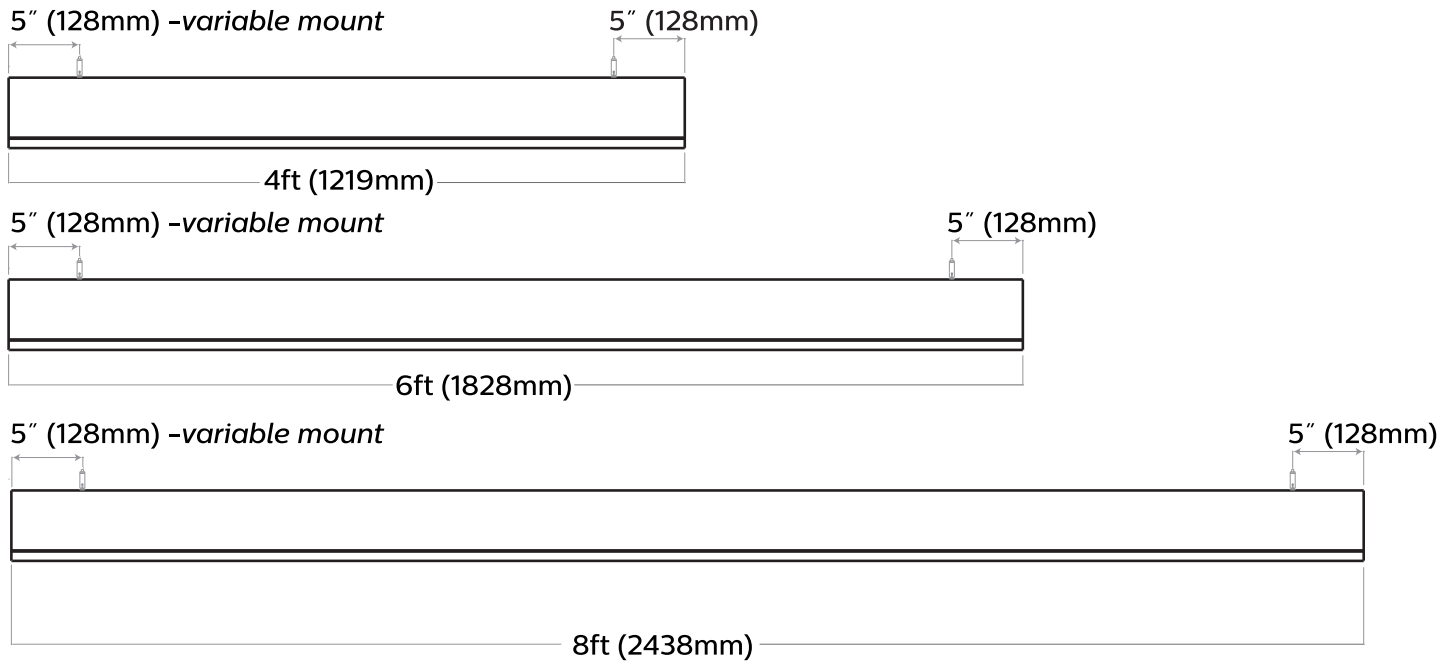
TruGroove suspended

3200 lm/4ft, Indirect

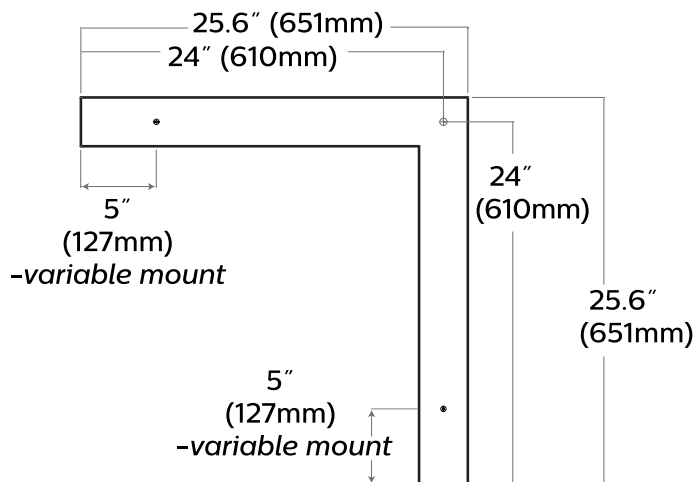
3000/3500/4000K

Dimensions - Modules

Suspended Linear Modules Without Endcaps - Side View



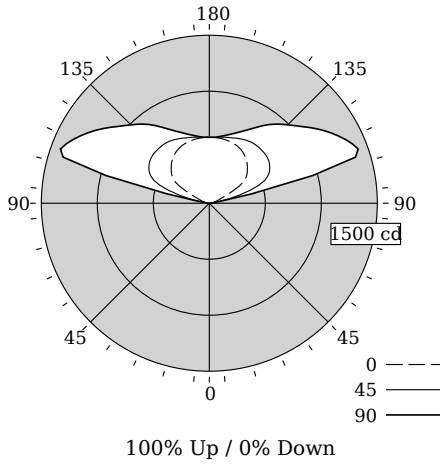
Suspended 2'x2' Corners Without Endcaps - Top View



TruGroove suspended

3200 lm/4ft, Indirect
3000/3500/4000K

Photometry - 3500K



Candela Distribution

Vertical Angle	Horizontal Angle				Zonal Lumens
	0	22.5	45	67.5	
0	0	0	0	0	0
5	0	0	0	0	0
15	0	0	0	0	0
25	0	0	0	0	0
35	0	0	0	0	0
45	0	0	0	0	0
55	0	0	0	0	0
65	0	0	0	0	0
75	0	0	0	0	0
85	0	0	0	0	0
90	0	0	0	0	0
95	14	21	21	23	24
105	58	74	273	785	956
115	166	233	578	1051	1344
125	400	450	650	987	1162
135	480	521	665	882	989
145	538	566	662	784	848
155	571	584	636	687	710
165	584	589	609	625	632
175	589	588	591	591	591
180	589	589	589	589	589

Values per 4ft unit

Fixture photometry has been conducted in accordance with IESNA LM-79-08

IES files for this and other photometric options can be downloaded online at www.lightingproducts.philips.com

Coefficients of Utilization (%)

RCR	Ceiling/Wall															
	70			80			70			50			0			
0	95	95	95	95	81	81	81	56	56	56	0	0	0	0	0	0
1	87	83	79	76	74	71	68	48	47	45	0	0	0	0	0	0
2	79	72	66	62	67	62	57	42	40	37	0	0	0	0	0	0
3	72	63	57	51	61	54	49	37	34	31	0	0	0	0	0	0
4	65	56	48	43	56	48	42	33	29	26	0	0	0	0	0	0
5	60	49	42	36	51	42	36	29	25	22	0	0	0	0	0	0
6	55	44	36	31	47	38	32	26	22	19	0	0	0	0	0	0
7	50	39	32	27	43	34	28	23	19	17	0	0	0	0	0	0
8	47	35	28	23	40	30	24	21	17	14	0	0	0	0	0	0
9	43	32	25	20	37	27	22	19	15	13	0	0	0	0	0	0
10	40	29	22	18	34	25	19	17	14	11	0	0	0	0	0	0

Avg. Luminance (cd/m2)

Vertical Angle	Horizontal Angle		
	0	45	90
55	0	0	0
65	0	0	0
75	0	0	0
85	0	0	0

Distribution

Hemisphere	100% Up / 0% Down
Peak/Zenith	2.40
Peak Output	1414 cd
Glare Control	Meets RP-1-12 recommendations for VDT-Critical spaces

Philips Ledalite

Light Output (Lumens)	3200
Watts	25.9
Lumens per Watt (Efficacy)	123.55

Color Accuracy

Color Rendering Index (CRI) **82**

Light Color

Correlated Color Temperature (CCT) **3434 (Bright White)**

All results are according to IESNA LM-79-2008: Approved Method for the Electrical and Photometric Testing of Solid-State Lighting. The U.S. Department of Energy (DOE) verifies product test data and results.

Visit www.lightingfacts.com for the Label Reference Guide.

Registration Number: F46Z-7TWGOX (1/27/2015)
Model Number: 29x3LBENQ
Type: Luminaire - Linear

TruGroove suspended

3200 lm/4ft, Indirect

3000/3500/4000K

Optical Performance @ 120V

Nominal CCT:	3000K	3500K	4000K
Flux (lm)	3141	3200	3263
Efficacy (lm/W)	122.2	123.6	126.0
Power (W)	25.7	25.9	25.9
CCT (K)	3100	3434	4075
CRI	81	82	83
R9	4	6	13
x	0.4326	0.4114	0.3778
y	0.4072	0.3986	0.3770
Duv	0.0020	0.0020	0.0010

Electrical Performance - 3500K

Input Voltage	120V	277V	347V
Input Power	25.9W	25.7W	22.5W
Input Current	0.22A	0.10A	0.07A
Power Factor	0.996	0.969	0.932
Total Harm. Distortion	6.5%	13.7%	14.0%

Tested values – contact technical support for rated values. Off-state power zero unless certain controls are specified.

