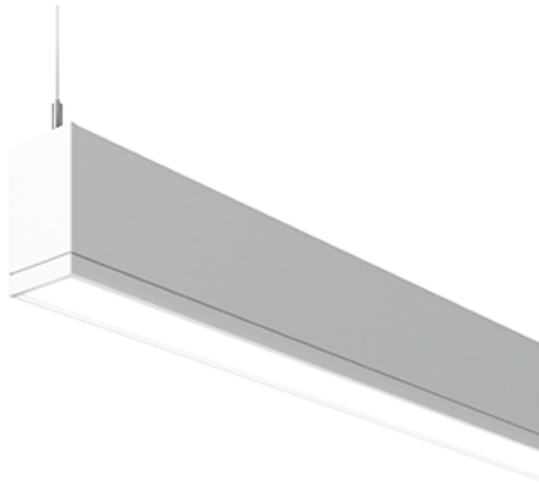




# Linear

## TruGroove suspended

4600 lm/4ft, Indirect/Direct  
3000/3500/4000K



Project: \_\_\_\_\_  
 Spec Type: \_\_\_\_\_  
 Catalog No: 2905LxCQQ \_\_\_\_\_  
 Qty \_\_\_\_\_  
 Line Notes: \_\_\_\_\_

TruGroove suspended, surface & wall is driving performance beyond the edge. Innovative optics deliver exceptional uniformity and wide row spacing from a 3” aperture continuous line-of light. An extended family and refined design are perfect for lighting any professional space.

### Ordering guide

Product Type	Source	Color Temp *	Lumens *	Lower Optics	Upper Optics	Run Length	Wiring †	Voltage	Driver	Finish
<input type="text" value="2905"/>	<input type="text" value="L"/>	<input type="text"/>	<input type="text" value="C"/>	<input type="text" value="Q"/>	<input type="text" value="Q"/>	<input type="text"/>	<input type="text"/>	<input type="text"/>	<input type="text"/>	<input type="text"/>
TruGroove suspended Indirect/Direct	L LED	A 4000K B 3500K C 3000K	B 5200 lm/4ft (55/45) C 4600 lm/4ft (70/30) D 3500 lm/4ft (55/45)	Q Symmetric MesoOptics W Asymmetric MesoOptics	Q Symmetric Performance W Asymmetric Performance	04 4' 06 6' 08 8' A4 2'x2' XX Total run length (2' increments)	7 1cct Dimming G 2 cct Up/Dn Dimming M 1 cct Dimming + EM Wiring N 1 cct Dimming + EM Batt. Pack	1 120V 2 277V 3 347V	E Philips Advance 0-10V (1% dim) S Philips Advance SR (5% dim)	W Standard White T Titanium Silver B Black C Custom

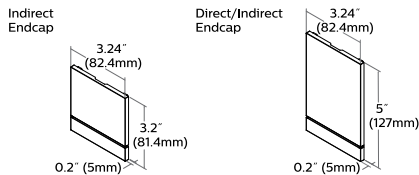
\* Nominal values within a range. Consult photometry data for color temp, lumens & distribution of chosen configuration.  
 † Not all wiring types are available with all configurations. Consult Philips Ledalite for a complete list of available options.

### Mounting Hardware

**Mount Type**  
 Consult separate mounting spec sheet for mount type options:  
**Ledalite Suspended Mounting Options**

**Suspension Length**  
 Distance from ceiling to top of luminaire in inches

### Endcaps -



### Integrated Controls Please indicate with check mark.

Response Daylight Single Zone (DS)  
 SpaceWise DT Occupancy & Daylight Sensor (SZ)



# TruGroove suspended

4600 lm/4ft, Indirect/Direct

3000/3500/4000K

## Optical System

**Upper hemisphere:** White light emitted from a linear array of upward-facing LEDs is shaped into a homogeneous, wide-throw batwing distribution using either a freeform elliptical lens or an engineered light guide panel.

**Lower hemisphere:** White light emitted from a linear array of downward-facing LEDs is laterally redirected using either a biconvex lens or optical microstructures embedded in a layer of MesoOptics DX film. An extruded acrylic lens and MesoOptics film assembly then generates an optimal batwing distribution and a uniform continuum of light.

## Endcaps

Diecast flat aluminum endcaps with integral groove to match housing.

## Finish

High quality powder coated, available in matte white, black or titanium silver. Other custom colors available on request. White sensors only.

## Housing

Precision aluminum extrusion, post painted.

## Weight

Maximum: Suspended & Surface 3.9lb/ft, Wall 4.1lb/ft & 2'x2' Corner unit 21lb

## Electrical

Factory pre-wired to section ends with quick-wire connectors.

## QuickShip

Available for certain configurations upon request. More information is available in the links below:

[QuickShip ColorCoded Guide](#)

[QuickShip Order Guide](#)

## Standard Drivers

Philips Advance Xitanium 0-10V, 1-100%.

Philips Advance Xitanium SR, 5-100% (for SpaceWise DT).

Class 2 rated output. Consult Philips Ledalite for other available drivers.

## Standard Battery Pack

Philips Bodine, 90 min, 10W, Class 2 rated output.

Emergency lumen output = 10W x luminaire efficacy x 1.1.

Typical output: 1100lm.

## Lumen Maintenance

At an ambient temperature of 25°C, the LED lumen maintenance expectation according to IES TM-21-11 is:

L80 (12k) 60,000 hrs (**Reported** methodology)

L80 (6k) 110,000 hrs (**Projected** methodology).

## Source Color

LEDs rated for color rendering CRI >80, R9 >0 and fixture to fixture color accuracy within 2 SDCM.

## Controls

Suspended version available with the following integrated controls:

Response daylight sensor (for single zone).

SpaceWise DT occupancy & daylight sensor w/ advanced grouping & dwell time.

SpaceWise DT commissioning via Android phone and Philips Field App. Compatible dimming wireless wall switches are available. For more information, please refer to [www.philips.com/spacewise](http://www.philips.com/spacewise)

## Mounting

**Suspended:** Variable sling mount allows +/- 5" of horizontal adjustment from joint or end. Aircraft cable and tamper-resistant gripper provide unlimited vertical adjustment and are independently tested to stringent safety standards.

**Wall:** A hidden steel rail and bracket system attaches to the existing structure and supports housings close to the wall. Mount positioning is fully variable along the modules to accommodate site conditions, spaced up to 4½' on center and within 12" of an end or joint.

**Surface:** Fixture is mounted flush to surface using hidden brackets that attach to existing structure, variable between 0.6"-1.7" from end or joint.

## Joints

Self-aligning joining system with hands-free pre-joining wire access.

## Approvals

Certified to UL, CSA and IES standards. Certain symmetric indirect/direct and indirect versions are DesignLights Consortium® qualified. Please see the DLC QPL list for exact catalog numbers ([www.designlights.org/QPL](http://www.designlights.org/QPL)).

## Warranty

Five-year luminaire limited warranty including LED boards and driver.

[USA: Warranty Support](#)

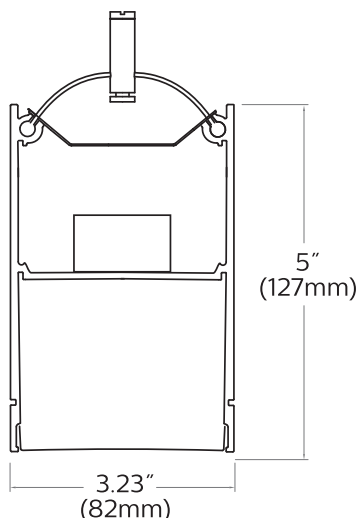
[Canada: Warranty Support](#)

## Environment

Rated for dry or damp locations in operating ambient temperatures 0-40°C (32-104°F). Certain luminaire components may be adversely affected by contaminants. Damage caused by sulfur, chlorine, petroleum based solutions or other contaminants in the area of operation are not covered under warranty. Not suitable for natatorium environments.

Due to continuing product improvements, Philips Ledalite reserves the right to change the specifications without notice.

## Dimensions - Cross Section



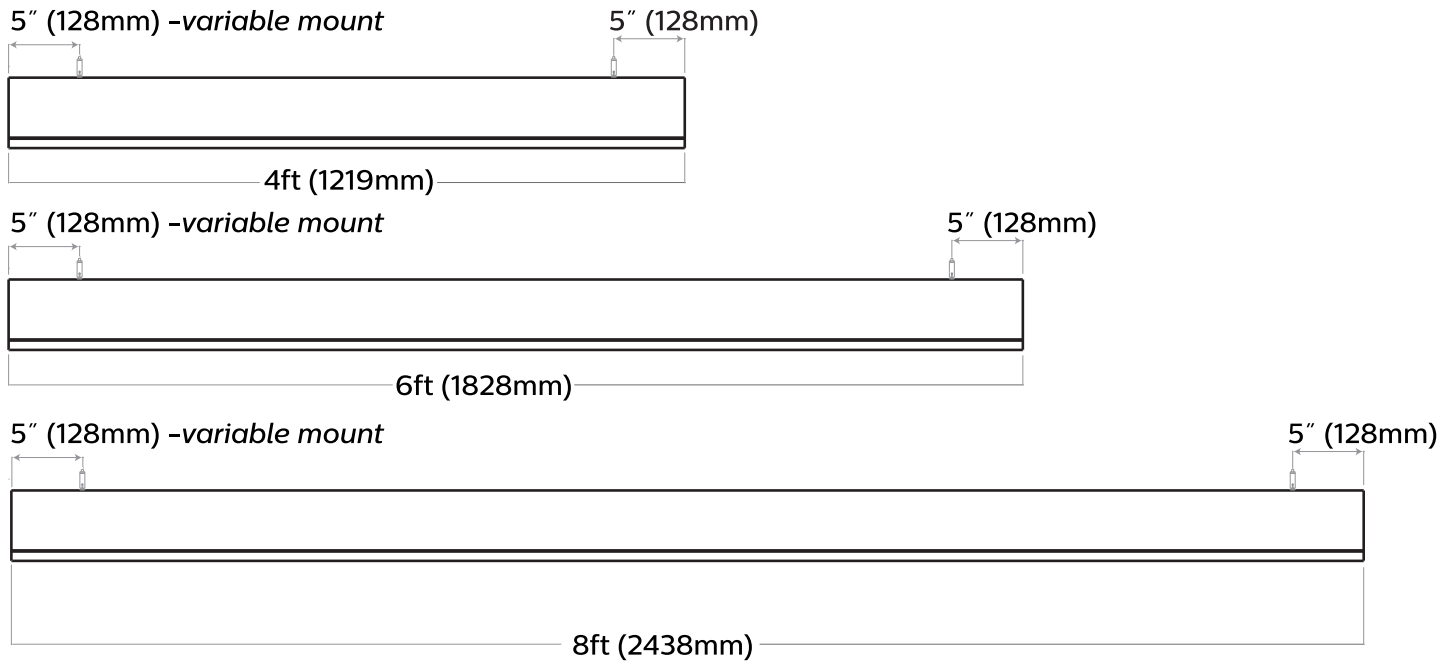
# TruGroove suspended

4600 lm/4ft, Indirect/Direct

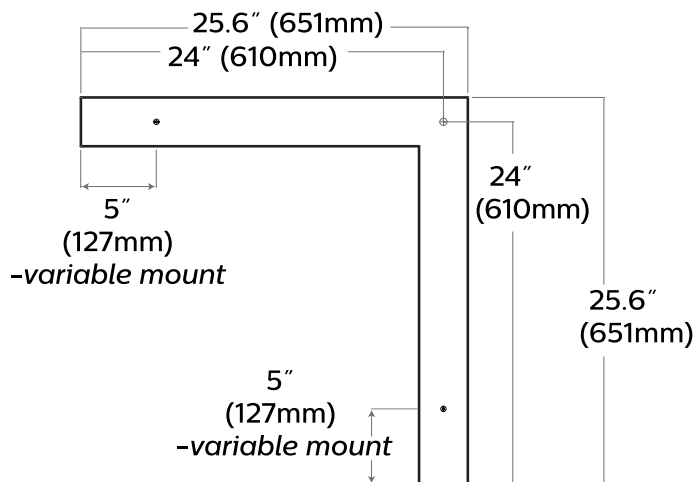
3000/3500/4000K

## Dimensions - Modules

### Suspended Linear Modules Without Endcaps - Side View



### Suspended 2'x2' Corners Without Endcaps - Top View

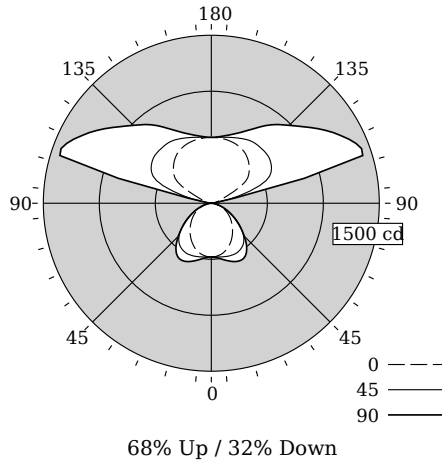


# TruGroove suspended

4600 lm/4ft, Indirect/Direct

3000/3500/4000K

## Photometry - 3500K



### Candela Distribution

Vertical Angle	Horizontal Angle				Zonal Lumens
	0	22.5	45	67.5	
0	479	479	479	479	0
5	477	478	481	485	46
15	449	460	493	520	139
25	396	427	500	554	226
35	330	376	478	536	285
45	260	308	406	425	284
55	195	227	286	285	231
65	129	142	166	165	154
75	63	66	74	76	76
85	12	13	15	16	18
90	0	0	0	0	0
95	14	19	21	23	24
105	57	75	257	763	860
115	156	223	575	1048	1355
125	397	448	646	987	1161
135	477	518	663	878	984
145	535	564	662	785	847
155	567	584	638	689	710
165	582	588	609	626	632
175	587	588	591	594	594
180	588	588	588	588	588

Values per 4ft unit

Fixture photometry has been conducted in accordance with IESNA LM-79-08

IES files for this and other photometric options can be downloaded online at [www.lightingproducts.philips.com](http://www.lightingproducts.philips.com)

### Coefficients of Utilization (%)

RCR	Ceiling										Wall													
	70	50	30	10	70	50	30	10	50	30	10	0	70	50	30	10	70	50	30	10	0			
0	103	103	103	103	92	92	92	73	73	73	32	0	103	103	103	103	92	92	92	73	73	73	32	0
1	94	90	86	83	84	81	78	64	62	60	27	0	94	90	86	83	84	81	78	64	62	60	27	0
2	85	78	72	67	77	71	66	56	53	50	23	0	85	78	72	67	77	71	66	56	53	50	23	0
3	78	69	62	56	70	62	56	50	45	42	19	0	78	69	62	56	70	62	56	50	45	42	19	0
4	71	61	53	47	64	55	48	44	39	36	16	0	71	61	53	47	64	55	48	44	39	36	16	0
5	65	54	46	40	58	49	42	39	34	31	14	0	65	54	46	40	58	49	42	39	34	31	14	0
6	60	48	40	35	54	44	37	35	30	26	12	0	60	48	40	35	54	44	37	35	30	26	12	0
7	55	43	36	30	50	39	33	32	27	23	11	0	55	43	36	30	50	39	33	32	27	23	11	0
8	51	39	32	27	46	36	29	29	24	20	10	0	51	39	32	27	46	36	29	29	24	20	10	0
9	48	36	28	24	43	32	26	26	22	18	9	0	48	36	28	24	43	32	26	26	22	18	9	0
10	44	33	26	21	40	30	24	24	19	16	8	0	44	33	26	21	40	30	24	24	19	16	8	0

### Avg. Luminance (cd/m2)

Vertical Angle	Horizontal Angle		
	0	45	90
55	3648	5357	5148
65	3274	4228	4100
75	2610	3073	3073
85	1500	1875	2000

### Distribution

Hemisphere	68% Up / 32% Down
Peak/Zenith	2.43
Peak Output	1428 cd
Glare Control	Meets RP-1-12 recommendations for VDT-Critical spaces

# TruGroove suspended

4600 lm/4ft, Indirect/Direct

3000/3500/4000K

## Optical Performance @ 120V

Nominal CCT:	3000K	3500K	4000K
Flux (lm)	4560	4624	4665
Efficacy (lm/W)	111.8	113.1	113.5
Power (W)	40.8	40.9	41.1
CCT (K)	3100	3435	4079
CRI	81	82	83
R9	4	6	13
x	0.4326	0.4115	0.3777
y	0.4073	0.3991	0.3774
Duv	0.0020	0.0020	0.0010

## Electrical Performance - 3500K

Input Voltage	120V	277V	347V
Input Power	40.9W	40.8W	36.2W
Input Current	0.34A	0.15A	0.11A
Power Factor	0.997	0.954	0.937
Total Harm. Distortion	7.7%	14.1%	14.0%

Tested values – contact technical support for rated values. Off-state power zero unless certain controls are specified.

With SpaceWise DT, standby power <0.5W (120V) or <0.8W (277V).

