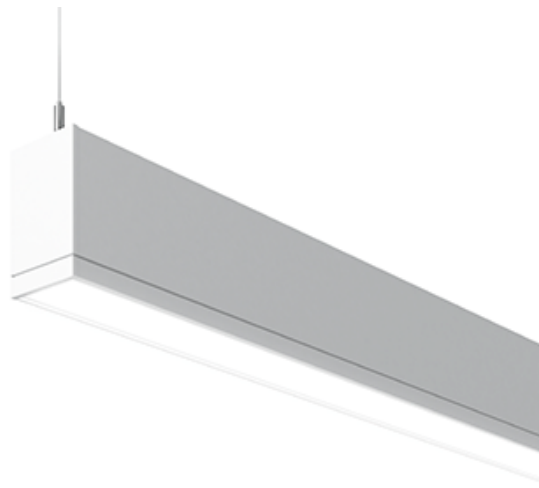




Linear

TruGroove Suspended LED

Indirect/Direct
CRI >80 4000K, 3500 lm/4ft



Project: _____
 Spec Type: _____
 Catalog No: 2905LADQQ
 Qty: _____
 Line Notes: _____

TruGroove LED is driving performance beyond the edge. Innovative optics deliver exceptional uniformity and wide row spacing from a 3” aperture continuous line-of light. An extended family and refined design are perfect for lighting any professional space.

Ordering guide

Product Type	Source	Color Temp *	Lumens *	Lower Optics	Upper Optics	Run Length	Wiring †	Voltage	Driver	Finish
<input type="text" value="2905"/>	<input type="text" value="L"/>	<input type="text" value="A"/>	<input type="text" value="D"/>	<input type="text" value="Q"/>	<input type="text" value="Q"/>	<input type="text"/>	<input type="text"/>	<input type="text"/>	<input type="text"/>	<input type="text"/>
TruGroove Suspended Indirect/Direct	L LED	A 4000K B 3500K C 3000K	D 5200 lm/4ft (55/45) C 4600 lm/4ft (70/30) D 3500 lm/4ft (55/45)	Q Symmetric MesoOptics W Asymmetric MesoOptics	Q Symmetric Performance W Asymmetric Performance	04 4' 06 6' 08 8' 22 2x2' XX Total run length (2 increments)	1 1cct 2 2 cct Up/Down 3 1 cct w/ EM cct 5 1 cct w/ BP 7 1 cct w/ Dimming	1 120V 2 277V 3 347V	E Philips Advance Other drivers available - consult factory	W Standard White T Titanium Silver B Black X Custom

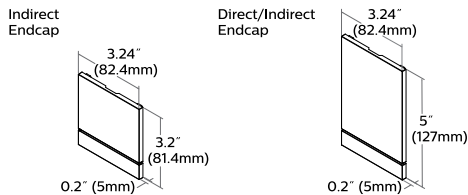
* Nominal values within a range. Consult ies file for exact color temp, lumens and up/down distribution † Consult website for complete list of standard wiring options

Mounting Hardware

Mount Type
Consult separate mounting spec sheet for mount type options

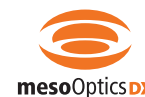
Suspension Length
Distance from ceiling to top of luminaire in inches

Endcaps -



Integrated Controls Please indicate with check mark.

- Response Daylight Sensor Single Zone (DS)
- Philips Actilume Occupancy Sensor (DO) (includes field commissionable daylight sensor)



TruGroove Suspended Indirect/Direct LED

CRI >80 4000K, 3500 lm/4ft

Housing

Precision aluminum extrusion, post painted.

Weight

Maximum: Suspended & Surface 3.9lb/ft, Wall 4.1lb/ft & 2'x2' Corner unit 21lb

Optical System

Upper hemisphere: White light emitted from a linear array of upward-facing LEDs is shaped into a homogeneous, wide-throw batwing distribution using either a freeform elliptical lens or an engineered light guide panel.

Lower hemisphere: White light emitted from a linear array of downward-facing LEDs is laterally redirected using either a biconvex lens or optical microstructures embedded in a layer of MesoOptics DX film. An extruded acrylic lens and MesoOptics film assembly then generate an optimal batwing distribution and a uniform continuum of light.

Standard Driver

Dimming: 0-10V - 5-100%. Output is Class 2 rated.

Electrical

Factory pre-wired to section ends with quick-wire connectors.

Mounting

Suspended: Variable sling mount allows +/- 5" of horizontal adjustment from joint or end. Aircraft cable and tamper-resistant gripper provide unlimited vertical adjustment. Aircraft cable, crimp and gripper are independently tested to meet stringent safety requirements.

Wall: Hidden steel mounting brackets are provided for attachment to existing structure and hold housings close to the wall. Mounts are variable positioning, but should be no more than 4-1/2ft on center and within 12" of an end or joint.

Surface: Fixture is mounted flush to surface using hidden brackets. Brackets attach to existing structure, variable within 0.6"-1.7" of end or joint.

Joints

Self-aligning joining system with hands-free pre-joining wire access.

Endcaps

Diecast flat aluminum endcaps with integral groove to match housing.

Finish

High quality powder coated, available in matte white, black or titanium silver. Other custom colors available on request.

Approvals

Certified to UL, CSA and IES standards.

Lumen Maintenance

At an ambient temperature of 25°C, the LED lumen maintenance expectation is:

L80 (12k) >60,000h according to IES TM-21-11

Addendum A Reported methodology

L80 (6k) 110,000h according to IES TM-21-11 Projected methodology

Warranty

Philips indoor professional luminaires 5 year LED warranty:

<http://www.philips.com/warranties>

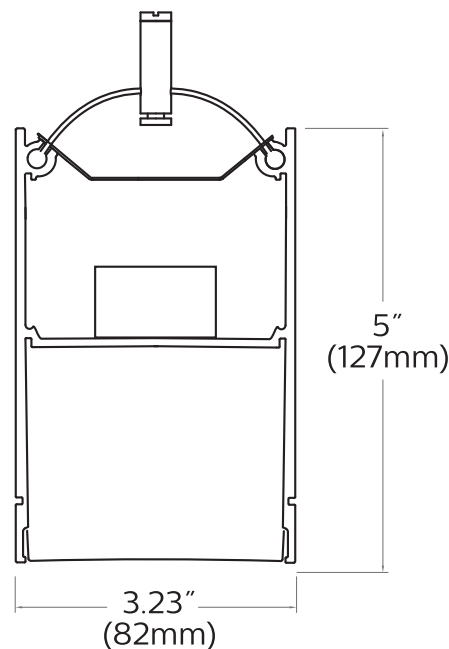
Environment

Rated for dry or damp locations in operating ambient temperatures 0-40°C (32-104°F). Certain luminaire components may be adversely affected by contaminants. Damage caused by sulfur, chlorine, petroleum based solutions or other contaminants are not covered under warranty.

Due to continuing product improvements, Philips Ledalite reserves the right to change the specifications without notice.

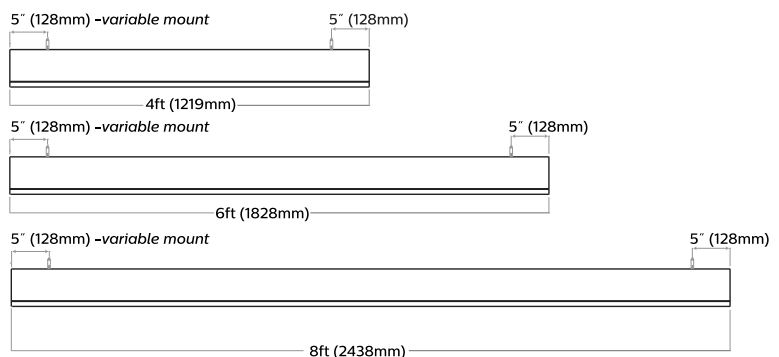
Options and Details

Cross Section

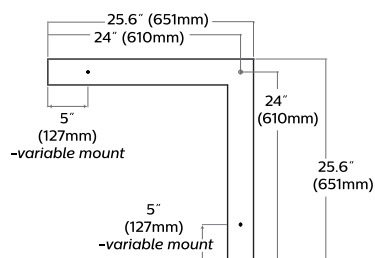


Modules

Suspended Linear Modules Without Endcaps - Side View



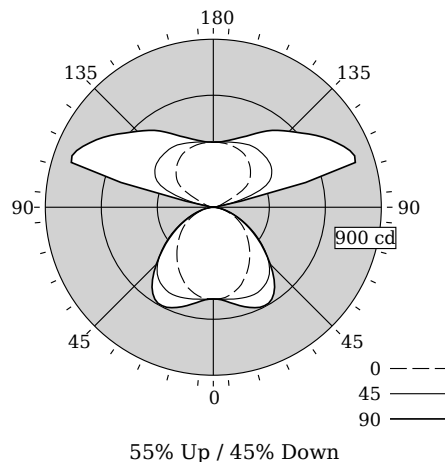
Suspended 2'x2' Corners Without Endcaps - Top View



TruGroove Suspended Indirect/Direct LED

CRI >80 4000K, 3500 lm/4ft

Photometry



Total Output	3364 lm
Efficacy	117.6 lm/W
CCT	4070K
CRI	83
R9	13
Distribution	55% Up / 45% Down
Spacing Criteria (0/90/180°)	1.14/1.62/NA
Meets RP-1-04 recommendations for VDT-Intensive spaces	

Values per 4ft unit

Fixture photometry has been conducted by an NVLAP accredited testing laboratory in accordance with IESNA LM-79-08

Lumen maintenance of the LEDs has been tested by the manufacturer in accordance with IESNA LM-80-08

IES files for this and other photometric options can be downloaded online at www.lightingproducts.philips.com

Candela Distribution

Vertical Angle	Horizontal Angle					Zonal Lumens
	0	22.5	45	67.5	90	
0	492	492	492	492	492	0
5	491	490	495	498	498	47
15	462	474	507	537	546	143
25	407	439	516	572	592	234
35	339	388	495	557	565	294
45	267	318	421	442	431	294
55	201	237	297	296	287	240
65	134	148	173	172	165	160
75	64	68	77	78	74	78
85	13	13	15	16	16	18
90	0	0	0	0	0	0
95	8	12	12	13	14	14
105	35	45	151	467	512	219
115	95	135	333	608	771	373
125	232	262	378	573	671	371
135	282	304	389	515	575	317
145	316	333	390	462	499	250
155	337	345	376	407	420	175
165	346	348	361	371	374	102
175	349	349	351	351	351	34
180	349	349	349	349	349	0

Coefficients of Utilization (%)

RCR	Ceiling					Wall					0
	70	50	30	10	70	50	30	10	50	30	
0	106	106	106	106	97	97	97	80	80	80	45
1	97	93	89	85	89	85	82	71	69	66	38
2	88	81	75	70	81	74	69	62	58	55	32
3	80	71	64	58	73	66	59	55	50	46	27
4	74	63	55	49	67	58	51	49	44	39	23
5	67	56	48	42	62	52	45	43	38	34	20
6	62	50	42	36	57	46	39	39	34	30	18
7	57	45	37	32	52	42	35	35	30	26	16
8	53	41	33	28	49	38	31	32	27	23	14
9	49	37	30	25	45	35	28	29	24	20	12
10	46	34	27	22	42	32	25	27	22	18	11

Avg. Luminance (cd/m2)

Vertical Angle	Horizontal Angle		
	0	45	90
55	3765	5561	5370
65	3398	4409	4202
75	2668	3176	3092
85	1635	1886	2012

Philips Ledalite

lighting facts®

A Program of the U.S. DOE

Light Output (Lumens) **3364**

Watts **28.6**

Lumens per Watt (Efficacy) **117.62**

Color Accuracy **83**

Color Rendering Index (CRI)

Light Color **4070 (Bright White)**

Correlated Color Temperature (CCT)

2700K 3000K 4500K 6500K

Warranty** **Yes**

All results, except LED Lumen Maintenance, are according to IESNA LM-79-2008; Approved Method for the Electrical and Photometric Testing of Solid-State Lighting. The U.S. Department of Energy (DOE) verifies product test data and results.

** See www.lightingfacts.com/products for details.

Registration Number: F46Z-RY15NS (1/27/2015)
Model Number: 29x5LADQQ
Type: Luminaire - Linear

Electrical Specifications

Input Voltage	120V	277V
Input Power	28.6W	28.2W
Input Current	0.24A	0.11A
Power Factor	0.995	0.944
Total Harm. Distortion	7.8%	15.2%
Tested values – contact technical support for rated values. Off-state power zero unless certain controls are specified.		

© 2015 Koninklijke Philips N.V. All rights reserved. Philips reserves the right to make changes in specifications and/or to discontinue any product at any time without notice or obligation and will not be liable for any consequences resulting from the use of this publication. philips.com/luminaires
www.philips.com/luminaires



Philips Lighting, North America Corporation
200 Franklin Square Drive, Somerset, NJ 08873
Tel. 855-486-2216

Imported by: Philips Lighting,
A division of Philips Electronics Ltd.
281 Hillmount Rd, Markham, ON, Canada L6C 2S3
Tel. 800-668-9008