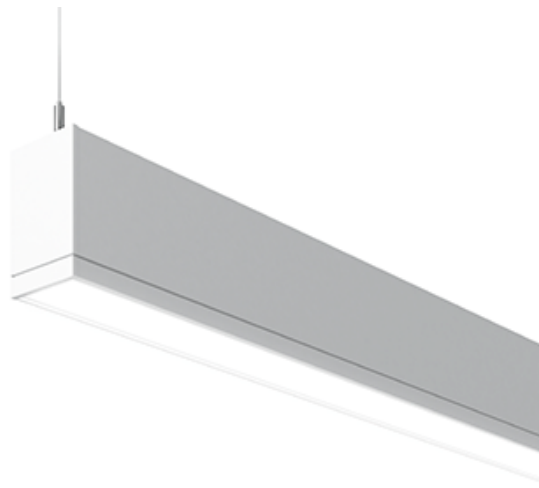




# Linear

## TruGroove Suspended LED

Indirect/Direct  
CRI >80 3500K, 3500 lm/4ft



Project: \_\_\_\_\_  
 Spec Type: \_\_\_\_\_  
 Catalog No: 2905LBDWW  
 Qty: \_\_\_\_\_  
 Line Notes: \_\_\_\_\_

TruGroove LED is driving performance beyond the edge. Innovative optics deliver exceptional uniformity and wide row spacing from a 3” aperture continuous line-of light. An extended family and refined design are perfect for lighting any professional space.

### Ordering guide

Product Type	Source	Color Temp *	Lumens *	Lower Optics	Upper Optics	Run Length	Wiring †	Voltage	Driver	Finish
2905	L	B	D	W	W					
TruGroove Suspended Indirect/Direct	L LED	A 4000K B 3500K C 3000K	B 5200 lm/4ft (55/45) C 4600 lm/4ft (70/30) D 3500 lm/4ft (55/45)	Q Symmetric MesoOptics W Asymmetric MesoOptics	Q Symmetric Performance W Asymmetric Performance	04 4' 06 6' 08 8' 22 2x2' XX Total run length (2 increments)	1 1cct 2 2cct Up/Down 3 1cct w/ EM cct 5 1cct w/ BP 7 1cct w/ Dimming	1 120V 2 277V 3 347V	E Philips Advance  Other drivers available - consult factory	W Standard White T Titanium Silver B Black X Custom

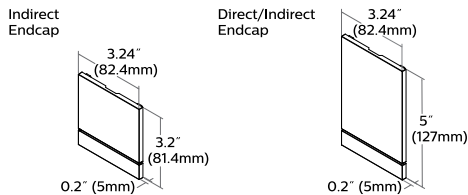
\* Nominal values within a range. Consult ies file for exact color temp, lumens and up/down distribution † Consult website for complete list of standard wiring options

### Mounting Hardware

**Mount Type**  
Consult separate mounting spec sheet for mount type options

**Suspension Length**  
Distance from ceiling to top of luminaire in inches

### Endcaps - Flat Grooved



### Integrated Controls Please indicate with check mark.

- Response Daylight Sensor Single Zone (DS)
- Philips Actilume Occupancy Sensor (DO) (includes field commissionable daylight sensor)

# TruGroove Suspended Indirect/Direct LED

CRI >80 3500K, 3500 lm/4ft

## Housing

Precision aluminum extrusion, post painted.

## Weight

Maximum: Suspended & Surface 3.9lb/ft, Wall 4.1lb/ft & 2'x2' Corner unit 21lb

## Optical System

**Upper hemisphere:** White light emitted from a linear array of upward-facing LEDs is shaped into a homogeneous, wide-throw batwing distribution using either a freeform elliptical lens or an engineered light guide panel.

**Lower hemisphere:** White light emitted from a linear array of downward-facing LEDs is laterally redirected using either a biconvex lens or optical microstructures embedded in a layer of MesoOptics DX film. An extruded acrylic lens and MesoOptics film assembly then generate an optimal batwing distribution and a uniform continuum of light.

## Standard Driver

Dimming: 0-10V - 5-100%. Output is Class 2 rated.

## Electrical

Factory pre-wired to section ends with quick-wire connectors.

## Mounting

**Suspended:** Variable sling mount allows +/- 5" of horizontal adjustment from joint or end. Aircraft cable and tamper-resistant gripper provide unlimited vertical adjustment. Aircraft cable, crimp and gripper are independently tested to meet stringent safety requirements.

**Wall:** Hidden steel mounting brackets are provided for attachment to existing structure and hold housings close to the wall. Mounts are variable positioning, but should be no more than 4-1/2ft on center and within 12" of an end or joint.

**Surface:** Fixture is mounted flush to surface using hidden brackets. Brackets attach to existing structure, variable within 0.6"-1.7" of end or joint.

## Joints

Self-aligning joining system with hands-free pre-joining wire access.

## Endcaps

Diecast flat aluminum endcaps with integral groove to match housing.

## Finish

High quality powder coated, available in matte white, black or titanium silver. Other custom colors available on request.

## Approvals

Certified to UL, CSA and IES standards.

## Lumen Maintenance

At an ambient temperature of 25°C, the LED lumen maintenance expectation is:

L80 (12k) >60,000h according to IES TM-21-11

Addendum A Reported methodology

L80 (6k) 110,000h according to IES TM-21-11 Projected methodology

## Warranty

Philips indoor professional luminaires 5 year LED warranty:

<http://www.philips.com/warranties>

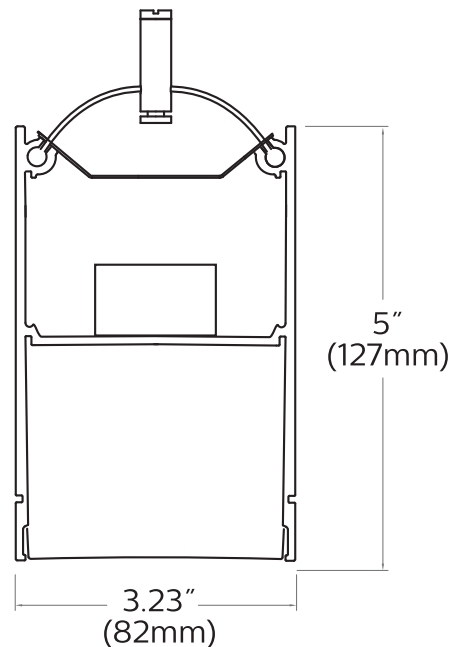
## Environment

Rated for dry or damp locations in operating ambient temperatures 0-40°C (32-104°F). Certain luminaire components may be adversely affected by contaminants. Damage caused by sulfur, chlorine, petroleum based solutions or other contaminants are not covered under warranty.

Due to continuing product improvements, Philips Ledalite reserves the right to change the specifications without notice.

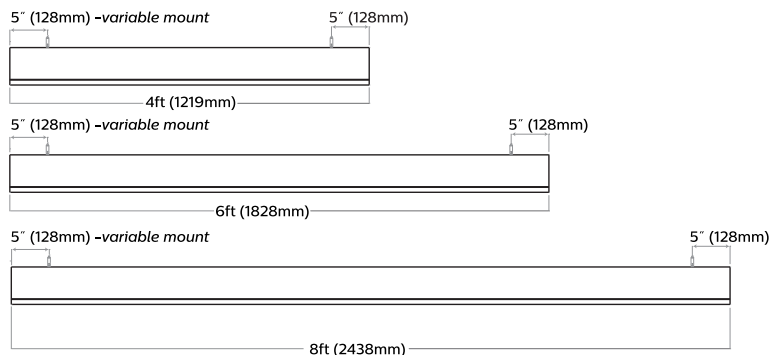
## Options and Details

### Cross Section

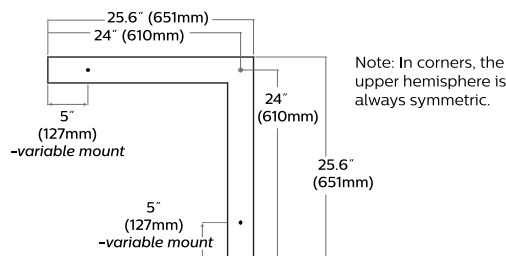


### Modules

#### Suspended Linear Modules Without Endcaps - Side View



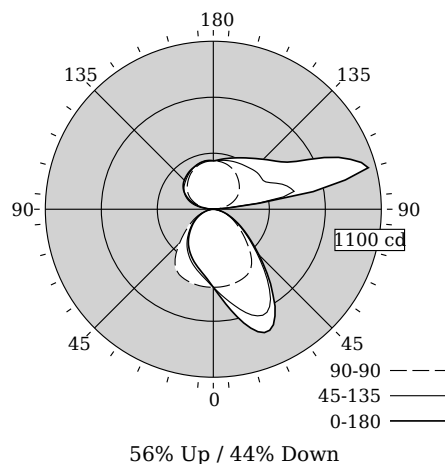
#### Suspended 2'x2' Corners Without Endcaps - Top View



# TruGroove Suspended Indirect/Direct LED

CRI >80 3500K, 3500 lm/4ft

## Photometry



Total Output	3100 lm
Efficacy	108.8 lm/W
CCT	3428K
CRI	82
R9	7
Distribution	56% Up / 44% Down
Spacing Criteria (0/90/180°)	1.66/1.34/0.92
Meets RP-1-04 recommendations for VDT-Intensive spaces	

Values per 4ft unit

Fixture photometry has been conducted by an NVLAP accredited testing laboratory in accordance with IESNA LM-79-08

Lumen maintenance of the LEDs has been tested by the manufacturer in accordance with IESNA LM-80-08

IES files for this and other photometric options can be downloaded online at [www.lightingproducts.philips.com](http://www.lightingproducts.philips.com)

### Candela Distribution

Vertical Angle	Horizontal Angle					Zonal Lumens
	0	45	90	135	180	
0	511	511	511	511	511	0
5	582	560	511	470	458	50
15	771	679	505	412	392	154
25	874	766	489	359	339	254
35	680	641	437	300	284	288
45	423	401	311	231	220	245
55	249	237	202	168	160	182
65	137	134	124	109	105	122
75	62	60	57	55	54	62
85	11	10	11	13	14	15
90	0	0	0	0	0	0
95	101	89	31	46	32	96
105	1051	526	103	143	122	341
115	801	412	163	200	192	318
125	541	376	206	235	240	272
135	463	366	239	258	269	238
145	409	351	269	281	288	196
155	372	341	293	302	303	147
165	344	330	309	316	317	91
175	323	320	316	320	321	31
180	317	317	317	317	317	0

### Coefficients of Utilization (%)

RCR	Ceiling					Wall					
	70	50	30	10	0	70	50	30	10	0	
0	106	106	106	106	97	97	97	80	80	80	44
1	97	93	89	86	89	85	82	71	69	67	38
2	89	82	76	71	81	75	70	63	59	56	33
3	81	72	65	59	74	66	60	56	51	47	28
4	74	64	56	51	68	59	52	50	45	41	24
5	68	57	49	43	62	53	46	44	39	35	21
6	63	51	43	38	58	47	40	40	35	31	19
7	58	46	39	33	53	43	36	36	31	27	17
8	54	42	35	29	50	39	32	33	28	24	15
9	50	38	31	26	46	36	29	30	25	22	14
10	47	35	28	23	43	33	26	28	23	20	13

### Avg. Luminance (cd/m2)

Vertical Angle	Horizontal Angle		
	0	90	180
55	4659	3783	3003
65	3494	3150	2672
75	2591	2375	2246
85	1406	1406	1665

## Electrical Specifications

Input Voltage	120V	277V
Input Power	28.5W	28.1W
Input Current	0.24A	0.11A
Power Factor	0.995	0.944
Total Harm. Distortion	7.8%	15.2%
Tested values – contact technical support for rated values. Off-state power zero unless certain controls are specified.		

© 2015 Koninklijke Philips N.V. All rights reserved. Philips reserves the right to make changes in specifications and/or to discontinue any product at any time without notice or obligation and will not be liable for any consequences resulting from the use of this publication. [philips.com/luminaires](http://philips.com/luminaires)  
[www.philips.com/luminaires](http://www.philips.com/luminaires)



Philips Lighting, North America Corporation  
200 Franklin Square Drive, Somerset, NJ 08873  
Tel. 855-486-2216

Imported by: Philips Lighting,  
A division of Philips Electronics Ltd.  
281 Hillmount Rd, Markham, ON, Canada L6C 2S3  
Tel. 800-668-9008