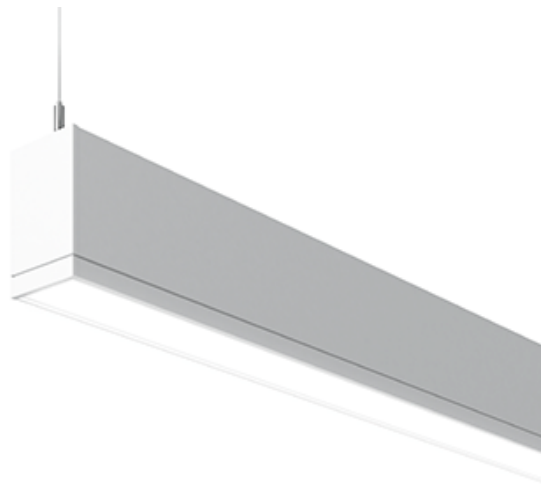




Linear

TruGroove Suspended LED

Indirect/Direct
CRI >80 3000K, 5200 lm/4ft



Project: _____
 Spec Type: _____
 Catalog No: 2905LCBQQ
 Qty: _____
 Line Notes: _____

TruGroove LED is driving performance beyond the edge. Innovative optics deliver exceptional uniformity and wide row spacing from a 3” aperture continuous line-of light. An extended family and refined design are perfect for lighting any professional space.

Ordering guide

Product Type	Source	Color Temp *	Lumens *	Lower Optics	Upper Optics	Run Length	Wiring †	Voltage	Driver	Finish
<input type="text" value="2905"/>	<input type="text" value="L"/>	<input type="text" value="C"/>	<input type="text" value="B"/>	<input type="text" value="Q"/>	<input type="text" value="Q"/>	<input type="text"/>	<input type="text"/>	<input type="text"/>	<input type="text"/>	<input type="text"/>
TruGroove Suspended Indirect/Direct	L LED	A 4000K B 3500K C 3000K	B 5200 lm/4ft (55/45) C 4600 lm/4ft (70/30) D 3500 lm/4ft (55/45)	Q Symmetric MesoOptics W Asymmetric MesoOptics	Q Symmetric Performance W Asymmetric Performance	04 4' 06 6' 08 8' 22 2x2' XX Total run length (2 increments)	1 1cct 2 2 cct Up/Down 3 1 cct w/ EM cct 5 1 cct w/ BP 7 1 cct w/ Dimming	1 120V 2 277V 3 347V	E Philips Advance Other drivers available - consult factory	W Standard White T Titanium Silver B Black X Custom

* Nominal values within a range. Consult ies file for exact color temp, lumens and up/down distribution † Consult website for complete list of standard wiring options

Mounting Hardware

Mount Type
Consult separate mounting spec sheet for mount type options

Suspension Length
Distance from ceiling to top of luminaire in inches

Endcaps -



Integrated Controls Please indicate with check mark.

- Response Daylight Sensor Single Zone (DS)
- Philips Actilume Occupancy Sensor (DO) (includes field commissionable daylight sensor)



TruGroove Suspended Indirect/Direct LED

CRI >80 3000K, 5200 lm/4ft

Housing

Precision aluminum extrusion, post painted.

Weight

Maximum: Suspended & Surface 3.9lb/ft, Wall 4.1lb/ft & 2'x2' Corner unit 21lb

Optical System

Upper hemisphere: White light emitted from a linear array of upward-facing LEDs is shaped into a homogeneous, wide-throw batwing distribution using either a freeform elliptical lens or an engineered light guide panel.

Lower hemisphere: White light emitted from a linear array of downward-facing LEDs is laterally redirected using either a biconvex lens or optical microstructures embedded in a layer of MesoOptics DX film. An extruded acrylic lens and MesoOptics film assembly then generate an optimal batwing distribution and a uniform continuum of light.

Standard Driver

Dimming: 0-10V - 5-100%. Output is Class 2 rated.

Electrical

Factory pre-wired to section ends with quick-wire connectors.

Mounting

Suspended: Variable sling mount allows +/- 5" of horizontal adjustment from joint or end. Aircraft cable and tamper-resistant gripper provide unlimited vertical adjustment. Aircraft cable, crimp and gripper are independently tested to meet stringent safety requirements.

Wall: Hidden steel mounting brackets are provided for attachment to existing structure and hold housings close to the wall. Mounts are variable positioning, but should be no more than 4-1/2ft on center and within 12" of an end or joint.

Surface: Fixture is mounted flush to surface using hidden brackets. Brackets attach to existing structure, variable within 0.6"-1.7" of end or joint.

Joints

Self-aligning joining system with hands-free pre-joining wire access.

Endcaps

Diecast flat aluminum endcaps with integral groove to match housing.

Finish

High quality powder coated, available in matte white, black or titanium silver. Other custom colors available on request.

Approvals

Certified to UL, CSA and IES standards.

Lumen Maintenance

At an ambient temperature of 25°C, the LED lumen maintenance expectation is:
L80 (12k) >60,000h according to IES TM-21-11 Addendum A **Reported** methodology
L80 (6k) 110,000h according to IES TM-21-11 **Projected** methodology

Warranty

Philips indoor professional luminaires 5 year LED warranty:
<http://www.philips.com/warranties>

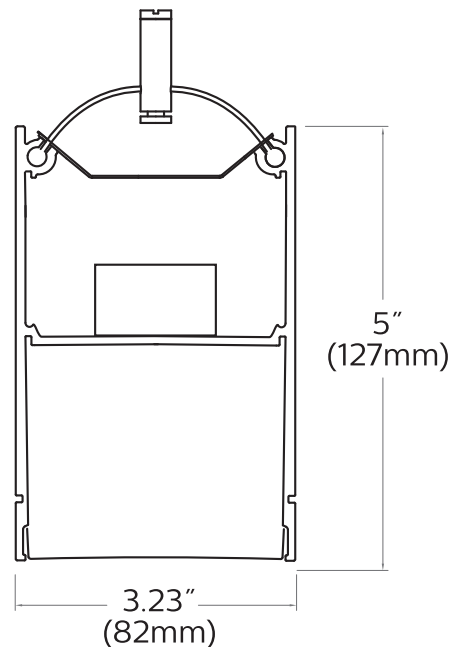
Environment

Rated for dry or damp locations in operating ambient temperatures 0-40°C (32-104°F). Certain luminaire components may be adversely affected by contaminants. Damage caused by sulfur, chlorine, petroleum based solutions or other contaminants are not covered under warranty.

Due to continuing product improvements, Philips Ledalite reserves the right to change the specifications without notice.

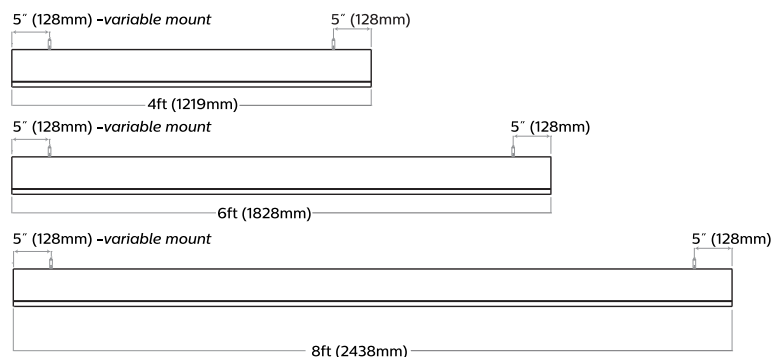
Options and Details

Cross Section

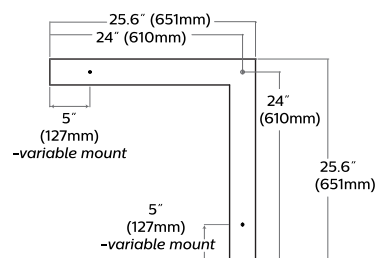


Modules

Suspended Linear Modules Without Endcaps - Side View



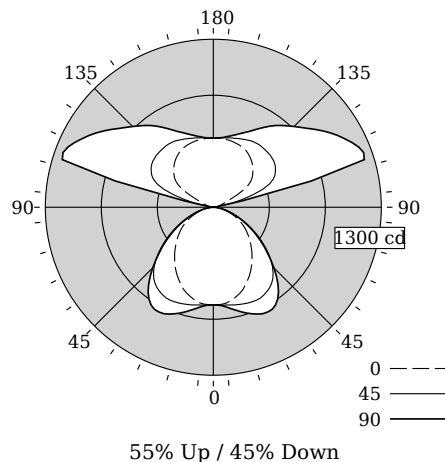
Suspended 2'x2' Corners Without Endcaps - Top View



TruGroove Suspended Indirect/Direct LED

CRI >80 3000K, 5200 lm/4ft

Photometry



Total Output	5168 lm
Efficacy	111.4 lm/W
CCT	3105K
CRI	81
R9	3
Distribution	55% Up / 45% Down
Spacing Criteria (0/90/180°)	1.14/1.62/NA
Meets RP-1-04 recommendations for VDT-Normal spaces	

Values per 4ft unit

Fixture photometry has been conducted by an NVLAP accredited testing laboratory in accordance with IESNA LM-79-08

Lumen maintenance of the LEDs has been tested by the manufacturer in accordance with IESNA LM-80-08

IES files for this and other photometric options can be downloaded online at www.lightingproducts.philips.com

Candela Distribution

Vertical Angle	Horizontal Angle					Zonal Lumens
	0	22.5	45	67.5	90	
0	755	755	755	755	755	0
5	754	752	760	765	765	73
15	710	729	779	824	838	220
25	625	674	793	879	909	359
35	520	595	760	856	868	452
45	411	489	647	679	663	452
55	309	364	456	454	440	369
65	205	227	266	265	254	245
75	99	105	118	119	114	120
85	20	20	24	25	25	28
90	0	0	0	0	0	0
95	13	19	19	20	22	22
105	53	69	232	718	787	336
115	146	207	511	934	1185	573
125	356	403	581	881	1031	570
135	432	467	597	791	884	487
145	486	511	599	710	766	384
155	517	530	578	625	646	269
165	531	534	555	570	575	157
175	536	536	539	539	539	52
180	536	536	536	536	536	0

Coefficients of Utilization (%)

RCR	Ceiling					Wall					0
	70	50	30	10	70	50	30	10	0		
0	106	106	106	106	97	97	97	80	80	80	45
1	97	93	89	85	89	85	82	71	69	66	38
2	88	81	75	70	81	74	69	62	58	55	32
3	80	71	64	58	73	66	59	55	50	46	27
4	74	63	55	49	67	58	51	49	44	39	23
5	67	56	48	42	62	52	45	43	38	34	20
6	62	50	42	36	57	46	39	39	34	30	18
7	57	45	37	32	52	42	35	35	30	26	16
8	53	41	33	28	49	38	31	32	27	23	14
9	49	37	30	25	45	35	28	29	24	20	12
10	46	34	27	22	42	32	25	27	22	18	11

Avg. Luminance (cd/m2)

Vertical Angle	Horizontal Angle		
	0	45	90
55	5784	8543	8250
65	5220	6774	6455
75	4099	4880	4749
85	2512	2898	3091

Philips Ledalite

lighting facts®

A Program of the U.S. DOE

Light Output (Lumens) **5168**

Watts **46.4**

Lumens per Watt (Efficacy) **111.38**

Color Accuracy **81**

Color Rendering Index (CRI)

Light Color **3105 (Bright White)**

Correlated Color Temperature (CCT)

2700K 3000K 4500K 6500K

Warm White **Bright White** **Daylight**

Warranty** **Yes**

All results, except LED Lumen Maintenance, are according to IESNA LM-79-2008; Approved Method for the Electrical and Photometric Testing of Solid-State Lighting. The U.S. Department of Energy (DOE) verifies product test data and results.

** See www.lightingfacts.com/products for details.

Registration Number: F46Z-MB6ZSQ (1/27/2015)
Model Number: 29x5LCBQQ
Type: Luminaire - Linear

Electrical Specifications

Input Voltage	120V	277V
Input Power	46.4W	46.1W
Input Current	0.39A	0.17A
Power Factor	0.997	0.962
Total Harm. Distortion	7%	14.2%
Tested values – contact technical support for rated values. Off-state power zero unless certain controls are specified.		

© 2015 Koninklijke Philips N.V. All rights reserved. Philips reserves the right to make changes in specifications and/or to discontinue any product at any time without notice or obligation and will not be liable for any consequences resulting from the use of this publication. philips.com/luminaires
www.philips.com/luminaires



Philips Lighting, North America Corporation
200 Franklin Square Drive, Somerset, NJ 08873
Tel. 855-486-2216

Imported by: Philips Lighting,
A division of Philips Electronics Ltd.
281 Hillmount Rd, Markham, ON, Canada L6C 2S3
Tel. 800-668-9008