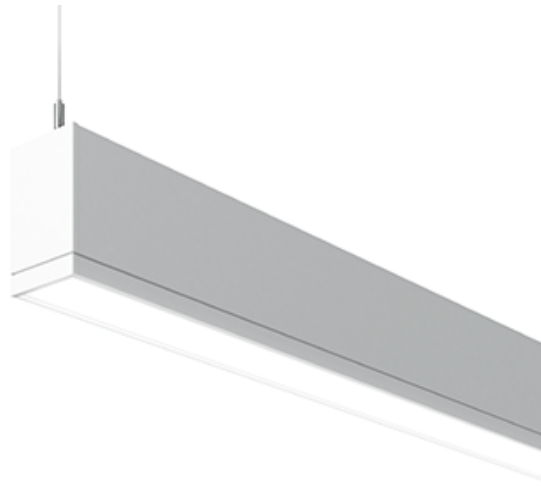




Linear

TruGroove Suspended LED

Indirect/Direct
CRI >80 3000K, 4600 lm/4ft



Project: _____
 Spec Type: _____
 Catalog No: 2905LCCQQ
 Qty: _____
 Line Notes: _____

TruGroove LED is driving performance beyond the edge. Innovative optics deliver exceptional uniformity and wide row spacing from a 3” aperture continuous line-of light. An extended family and refined design are perfect for lighting any professional space.

Ordering guide

Product Type	Source	Color Temp *	Lumens *	Lower Optics	Upper Optics	Run Length	Wiring †	Voltage	Driver	Finish
2905	L	C	C	Q	Q					
TruGroove Suspended Indirect/Direct	L LED	A 4000K B 3500K C 3000K	B 5200 lm/4ft (55/45) C 4600 lm/4ft (70/30) D 3500 lm/4ft (55/45)	Q Symmetric MesoOptics W Asymmetric MesoOptics	Q Symmetric Performance W Asymmetric Performance	04 4' 06 6' 08 8' 22 2x2' XX Total run length (2 increments)	1 1cct 2 2 cct Up/Down 3 1 cct w/ EM cct 5 1 cct w/ BP 7 1 cct w/ Dimming	1 120V 2 277V 3 347V	E Philips Advance Other drivers available - consult factory	W Standard White T Titanium Silver B Black X Custom

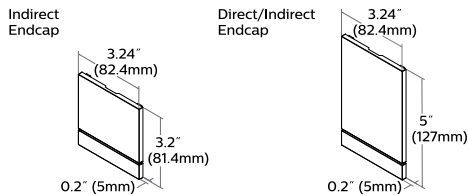
* Nominal values within a range. Consult ies file for exact color temp, lumens and up/down distribution † Consult website for complete list of standard wiring options

Mounting Hardware

Mount Type
Consult separate mounting spec sheet for mount type options

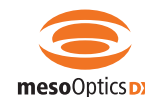
Suspension Length
Distance from ceiling to top of luminaire in inches

Endcaps - Flat Grooved



Integrated Controls Please indicate with check mark.

- Response Daylight Sensor Single Zone (DS)
- Philips Actilume Occupancy Sensor (DO) (includes field commissionable daylight sensor)



TruGroove Suspended Indirect/Direct LED

CRI >80 3000K, 4600 lm/4ft

Housing

Precision aluminum extrusion, post painted.

Weight

Maximum: Suspended & Surface 3.9lb/ft, Wall 4.1lb/ft & 2'x2' Corner unit 21lb

Optical System

Upper hemisphere: White light emitted from a linear array of upward-facing LEDs is shaped into a homogeneous, wide-throw batwing distribution using either a freeform elliptical lens or an engineered light guide panel.

Lower hemisphere: White light emitted from a linear array of downward-facing LEDs is laterally redirected using either a biconvex lens or optical microstructures embedded in a layer of MesoOptics DX film. An extruded acrylic lens and MesoOptics film assembly then generate an optimal batwing distribution and a uniform continuum of light.

Standard Driver

Dimming: 0-10V - 5-100%. Output is Class 2 rated.

Electrical

Factory pre-wired to section ends with quick-wire connectors.

Mounting

Suspended: Variable sling mount allows +/- 5" of horizontal adjustment from joint or end. Aircraft cable and tamper-resistant gripper provide unlimited vertical adjustment. Aircraft cable, crimp and gripper are independently tested to meet stringent safety requirements.

Wall: Hidden steel mounting brackets are provided for attachment to existing structure and hold housings close to the wall. Mounts are variable positioning, but should be no more than 4-1/2ft on center and within 12" of an end or joint.

Surface: Fixture is mounted flush to surface using hidden brackets. Brackets attach to existing structure, variable within 0.6"-1.7" of end or joint.

Joints

Self-aligning joining system with hands-free pre-joining wire access.

Endcaps

Diecast flat aluminum endcaps with integral groove to match housing.

Finish

High quality powder coated, available in matte white, black or titanium silver. Other custom colors available on request.

Approvals

Certified to UL, CSA and IES standards.

Lumen Maintenance

At an ambient temperature of 25°C, the LED lumen maintenance expectation is:

L80 (12k) >60,000h according to IES TM-21-11

Addendum A Reported methodology

L80 (6k) 110,000h according to IES TM-21-11 Projected methodology

Warranty

Philips indoor professional luminaires 5 year LED warranty:

<http://www.philips.com/warranties>

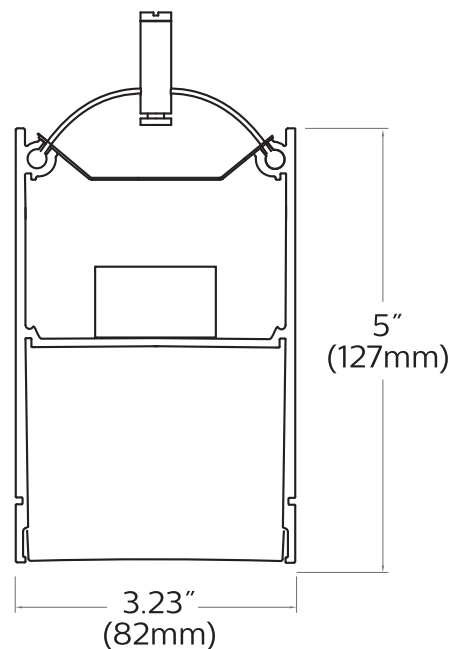
Environment

Rated for dry or damp locations in operating ambient temperatures 0-40°C (32-104°F). Certain luminaire components may be adversely affected by contaminants. Damage caused by sulfur, chlorine, petroleum based solutions or other contaminants are not covered under warranty.

Due to continuing product improvements, Philips Ledalite reserves the right to change the specifications without notice.

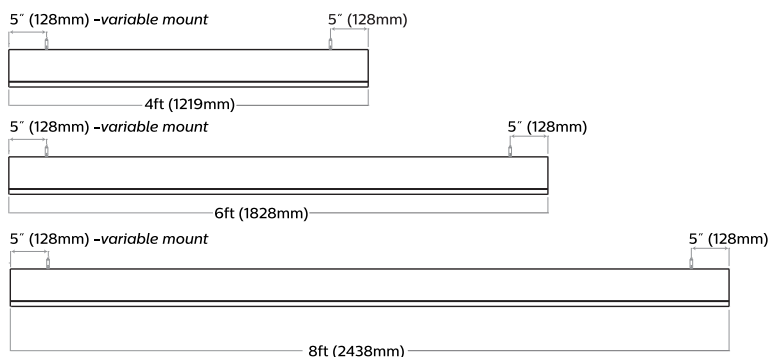
Options and Details

Cross Section

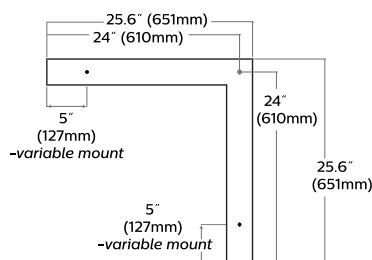


Modules

Suspended Linear Modules Without Endcaps - Side View



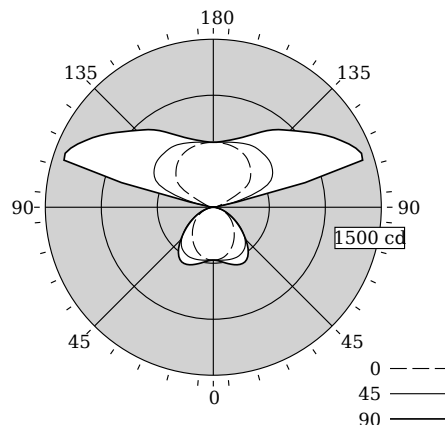
Suspended 2'x2' Corners Without Endcaps - Top View



TruGroove Suspended Indirect/Direct LED

CRI >80 3000K, 4600 lm/4ft

Photometry



68% Up / 32% Down

Total Output	4560 lm
Efficacy	111.8 lm/W
CCT	3100K
CRI	81
R9	4
Distribution	68% Up / 32% Down
Peak/Zenith Ratio	2.43
Peak Output	1408 cd @ 110°
Meets RP-1-04 recommendations for VDT-Intensive spaces	

Values per 4ft unit

Fixture photometry has been conducted by an NVLAP accredited testing laboratory in accordance with IESNA LM-79-08

Lumen maintenance of the LEDs has been tested by the manufacturer in accordance with IESNA LM-80-08

IES files for this and other photometric options can be downloaded online at www.lightingproducts.philips.com

Candela Distribution

Vertical Angle	Horizontal Angle				Zonal Lumens
	0	22.5	45	67.5	
0	472	472	472	472	0
5	470	471	474	478	45
15	443	454	486	513	137
25	391	421	493	546	223
35	325	371	471	529	281
45	256	304	400	419	280
55	192	224	282	281	228
65	127	140	164	163	152
75	62	65	73	75	75
85	12	13	15	16	18
90	0	0	0	0	0
95	14	19	21	23	24
105	56	74	253	752	848
115	154	220	567	1034	1336
125	392	442	637	973	1145
135	470	511	654	866	970
145	528	556	653	774	835
155	559	576	629	679	700
165	574	580	601	617	623
175	579	580	583	586	586
180	580	580	580	580	0

Coefficients of Utilization (%)

RCR	Ceiling		Wall				0			
	70	80	70	80	50	30	10	0	0	0
0	103	103	103	103	92	92	73	73	73	32
1	94	90	86	83	84	81	78	64	62	27
2	85	78	72	67	77	71	66	56	53	23
3	78	69	62	56	70	62	56	50	45	19
4	71	61	53	47	64	55	48	44	39	16
5	65	54	46	40	58	49	42	39	34	14
6	60	48	40	35	54	44	37	35	30	12
7	55	43	36	30	50	39	33	32	27	11
8	51	39	32	27	46	36	29	29	24	10
9	48	36	28	24	43	32	26	26	22	9
10	44	33	26	21	40	30	24	24	19	8

Avg. Luminance (cd/m²)

Vertical Angle	Horizontal Angle		
	0	45	90
55	3597	5283	5077
65	3229	4170	4043
75	2574	3031	3031
85	1480	1849	1973

Electrical Specifications

Input Voltage	120V	277V
Input Power	40.8W	40.7W
Input Current	0.34A	0.15A
Power Factor	0.997	0.954
Total Harm. Distortion	7.7%	14.1%
Tested values – contact technical support for rated values. Off-state power zero unless certain controls are specified.		

© 2015 Koninklijke Philips N.V. All rights reserved. Philips reserves the right to make changes in specifications and/or to discontinue any product at any time without notice or obligation and will not be liable for any consequences resulting from the use of this publication. philips.com/luminaires
www.philips.com/luminaires



Philips Lighting, North America Corporation
200 Franklin Square Drive, Somerset, NJ 08873
Tel. 855-486-2216

Imported by: Philips Lighting,
A division of Philips Electronics Ltd.
281 Hillmount Rd, Markham, ON, Canada L6C 2S3
Tel. 800-668-9008